



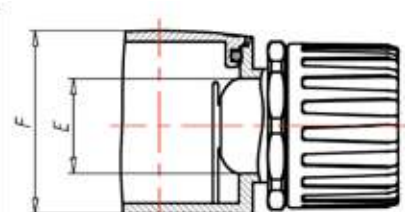
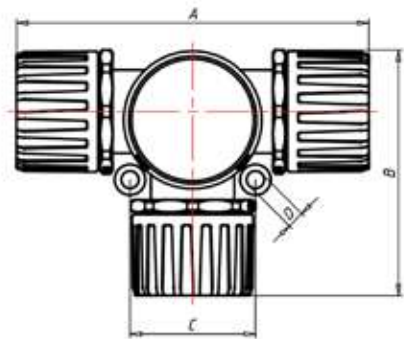
T-Connector Nylon Fittings IP68, HGL-T

Ne T- Connectors are used to join three same diameter corrugated conduits together, and redirect cables into multiple directions. Constructed of a very durable nylon material with a high resistance to salts, oils, weak acids and solvents. Designed for easy removal with a small screwdriver. Choose from IP66 or IP68 ingress protection rated fittings.



| Conduit Size | | Euro Size | HellermannTyton Part Number | Manufacturer Reference Number | Dimensions | | | | | | | | | | | |
|--------------|----|-----------|-----------------------------|-------------------------------|------------|-----|------|-----|------|----|------|-----|------|------|------|----|
| | | | | | A | | B | | C | | D | | E | | F | |
| in. | mm | (NW) | | | in. | mm | in. | mm | in. | mm | in. | mm | in. | mm | in. | mm |
| 3/8 | 16 | 12 | HGL038-T | FPAX16T | 3.78 | 96 | 2.44 | 62 | 1.30 | 33 | 0.24 | 6.2 | 0.55 | 14.0 | 1.22 | 31 |
| 1/2 | 21 | 17 | HGL050-T | FPAX21T | 3.90 | 99 | 2.48 | 63 | 1.34 | 34 | 0.24 | 6.2 | 0.75 | 19.0 | 1.38 | 35 |
| 3/4 | 28 | 23 | HGL075-T | FPAX28T | 4.92 | 125 | 3.42 | 87 | 1.77 | 45 | 0.23 | 6.0 | 0.98 | 25.0 | 1.89 | 48 |
| 1.00 | 34 | 29 | HGL100-T | FPAX34T | 5.12 | 130 | 3.58 | 91 | 1.89 | 48 | 0.28 | 7.2 | 1.30 | 33.0 | 2.13 | 54 |
| 1.25 | 42 | 36 | HGL125-T | FPAX42T | 5.91 | 150 | 4.33 | 110 | 2.17 | 55 | 0.28 | 7.2 | 1.60 | 41.0 | 2.56 | 65 |

| Technical Properties and Performance | |
|--|---|
| Property | Rating |
| Material: Nylon PA66 | Polyamide Nylon 66 (PA66) |
| Application: | Suitable for dividing circuits and enabling reduction of conduit sizes when used with reducers. |
| IP (Ingress Protection) rating | IP66+IP67+IP68 (2bar), IP69K |
| Temperature Range | -50°C to +135°C |
| Color | Black |
| Thread Pattern | NA |
| Supplied with neoprene face seal washer | No |
| Suitable for fine or coarse pitch conduits | Yes |
| UL Recognized (File E229161) | Yes |
| UL Listed (File No. E247502) | No |
| UV Resistant | Yes |
| Halogen, Sulphur and Phosphorous free | Yes |
| Anti vibration and Tamper Resistant | Yes |
| Flammability: UL 94 | V2 |
| Country of Origin | United Kingdom |



Warranty Policy HellermannTyton products are warranted to be free from defects in material and workmanship at the time sold by us; but our obligation under this warranty and that of the seller is limited to the replacement of the product, and neither we nor the seller are bound by any other warranty, expressed, implied or statutory. Under no circumstances are we or the seller liable for any loss, damage, expenses or consequential damages of any kind arising out of the use or inability to use these products. All are sold with the understanding that the user will test them in actual use and determine their adaptability for the intended uses. Every effort is made to ensure accuracy and completeness when describing the technical properties of these products.