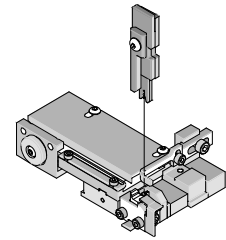


T2 Terminator Tooling

molex®

Application Tooling Specification Sheet



Order No. 63911-8900

FEATURES

- Ideally suited for mid-volume bench operations
- Terminator can be installed in the TM42 and the TM40 press or Base Unit adapter for 3BF press
- Quick punch removal with the push of a button for fast and easy tooling change
- Track adjustment capabilities in the T2 Terminators for improved control of the bell mouth size and cut-off tab length
- T2 Terminator has standardized tooling with the Molex FineAdjust Applicator, which will reduce your inventory requirements

SCOPE

Products: Micro-Fit 3.0 Crimp Terminal, Male and Female, 20-24 AWG.

Terminal Series No.	Terminal Order No.		Wire Size		Insulation Diameter				Strip Length	
					IPC/WHMA-A620 (1)		Terminal (2)			
			AWG	mm ²	mm	In.	mm	In.	mm	In.
43030	43030-0001	43030-0051	20-24	0.50-0.20	0.91-1.09	.036-.043	0.90-1.85	.035-.073	2.54-2.92	.100-.115
	43030-0002	43030-0052								
	43030-0003	43030-0053								
	43030-1001									
43031	43031-0001	43031-0051	20-24	0.50-0.20	0.91-1.09	.036-.043	0.90-1.85	.035-.073	2.54-2.92	.100-.115
	43031-0002	43031-0052								
	43031-0003	43031-0053								
	43031-0017	43031-0102								
	43031-0018	43031-0103								
44372	44372-0002	44372-3606	20-24	0.50-0.20	1.10-1.30	.043-.051	0.90-1.85	.035-.073	2.54-2.92	.100-.115
45773	45773-0001	45773-0002	20-24	0.50-0.20	1.10-1.30	.043-.051	0.90-1.85	.035-.073	2.54-2.92	.100-.115
	45773-0003	45773-0053								
45807	45807-0004		20-24	0.50-0.20	1.10-1.30	.043-.051	0.90-1.85	.035-.073	2.54-2.92	.100-.115

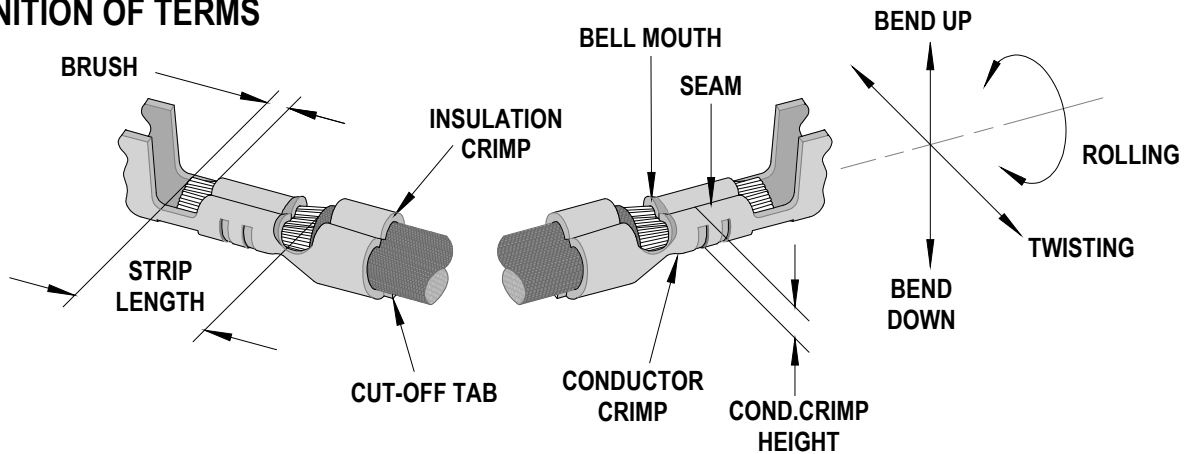
(1) To achieve optimum IPC-A620 Class 2 insulation crimps, use this insulation OD range.

(2) Overall insulation OD specification for terminal.

Terminator 63911-8800 should be used for insulation OD 1.10-1.30mm (.043-.051 inch).

Terminator 63910-4500 should be used for insulation OD 1.30-1.85mm (.051-.073 inch).

DEFINITION OF TERMS



The above terminal drawing is a generic terminal representation. It is not an image of a terminal listed in the scope.

CRIMP SPECIFICATION

Terminal Series No.			Bell Mouth		Cut-Off Tab Maximum		Conductor Brush	
			mm	In.	mm	In.	mm	In.
43030	43031	44372	0.05-0.40	.002-.016	0.15	.006	0.20-0.80	.008-.031
45773	45807							

Terminal Series No.			Bend Up	Bend Down	Twist	Roll	Punch Width mm (Ref)				Seam
							Conductor		Insulation		
			Degree		Degree		mm	In	mm	In	
43030	43031	44372	3	3	4	8	1.40	.055	1.40	.055	Seam shall not be open and no wire allowed out of the crimping area
45773	45807										

After crimping, the conductor profile should measure the following:

Terminal Series No.	Wire Size		Conductor Crimp Height		Insulation Crimp Height		Pull Force Minimum	
	AWG	mm ²	mm	In.	mm	In.	N	Lb.
43030	20	0.50	0.91-0.99	.036-.039	2.30 max	.090 max	57.9	13.0
	22	0.35	0.84-0.91	.033-.036	2.30 max	.090 max	35.6	8.0
	24	0.20	0.79-0.84	.031-.033	2.30 max	.090 max	22.3	5.0
43031	20	0.50	0.91-0.99	.036-.039	2.30 max	.090 max	57.9	13.0
	22	0.35	0.84-0.91	.033-.036	2.30 max	.090 max	35.6	8.0
	24	0.20	0.79-0.84	.031-.033	2.30 max	.090 max	22.3	5.0
44372	20	0.50	0.91-0.99	.036-.039	2.30 max	.090 max	57.9	13.0
	22	0.35	0.84-0.91	.033-.036	2.30 max	.090 max	35.6	8.0
	24	0.20	0.79-0.84	.031-.033	2.30 max	.090 max	22.3	5.0
45773	20	0.50	0.91-0.99	.036-.039	2.30 max	.090 max	57.9	13.0
	22	0.35	0.84-0.91	.033-.036	2.30 max	.090 max	35.6	8.0
	24	0.20	0.79-0.84	.031-.033	2.30 max	.090 max	22.3	5.0
45807	20	0.50	0.91-0.99	.036-.039	2.30 max	.090 max	57.9	13.0
	22	0.35	0.84-0.91	.033-.036	2.30 max	.090 max	35.6	8.0
	24	0.20	0.79-0.84	.031-.033	2.30 max	.090 max	22.3	5.0

Tool Qualification Notes

1. Pull force should be measured with no influence from the insulation crimp.
2. The above specifications are guidelines to an optimum crimp.

PARTS LIST

T2 Terminator 63911-8900				
Item	Order No.	Engineering No.	Description	Quantity
Perishable Tooling				
	63911-8970	63911-8970	Tool Kit (All "Y" Items)	REF
1	63444-1421	63444-1421	Conductor Punch	1 Y
2	63445-1436	63445-1436	Conductor Anvil	1 Y
3	63446-1406	63446-1406	Insulation Punch	1 Y
4	63445-1409	63445-1409	Insulation Anvil	1 Y
5	63443-0002	63443-0002	Front Cut-Off Plunger	1 Y
6	63443-0012	63443-0012	Front Plunger Retainer	1 Y
Other Components				
7	11-18-4083	60707-8	Feed Guide	1
8	11-24-1067	4996-4	Cut-Off Plunger Spring	1
9	11-40-4039	8302-5	Plunger Striker	1
10	63443-0009	63443-0009	Front Scrap Chute	1
11	63443-0024	63443-0024	Key	1
12	63443-0085	63443-0085	Wire Stop L-Bracket	1
13	63443-0090	63443-0090	Wire Stop	1
14	63443-1703	63443-1703	Height Spacer (17.30mm)	1
15	63443-2216	63443-2216	Coarse Spacer (16.00mm)	1
16	63443-2302	63443-2302	Fine Spacer (3.10mm)	1
17	63443-6003	63443-6003	Rear Cover	1
Frame				
18	63800-8500	63800-8500	T2 Terminator	1
Hardware				
19	N/A	N/A	M3 by 6 Long SHCS	2**
20	N/A	N/A	M3 by 6 Long FHCS	1**
21	N/A	N/A	M4 by 6 Long SHCS	2**
22	N/A	N/A	M4 by 12 Long BHCS	2**
23	N/A	N/A	M4 by 14 Long SHCS	2**
24	N/A	N/A	M4 by 45 Long SHCS	2**
25	N/A	N/A	M5 by 12 Long SHCS	1**
26	N/A	N/A	#10-32 by 3/8" Long BHCS	1**
** Available from an industrial supply company such as MSC (1-800-645-7270).				

Assembly Drawing

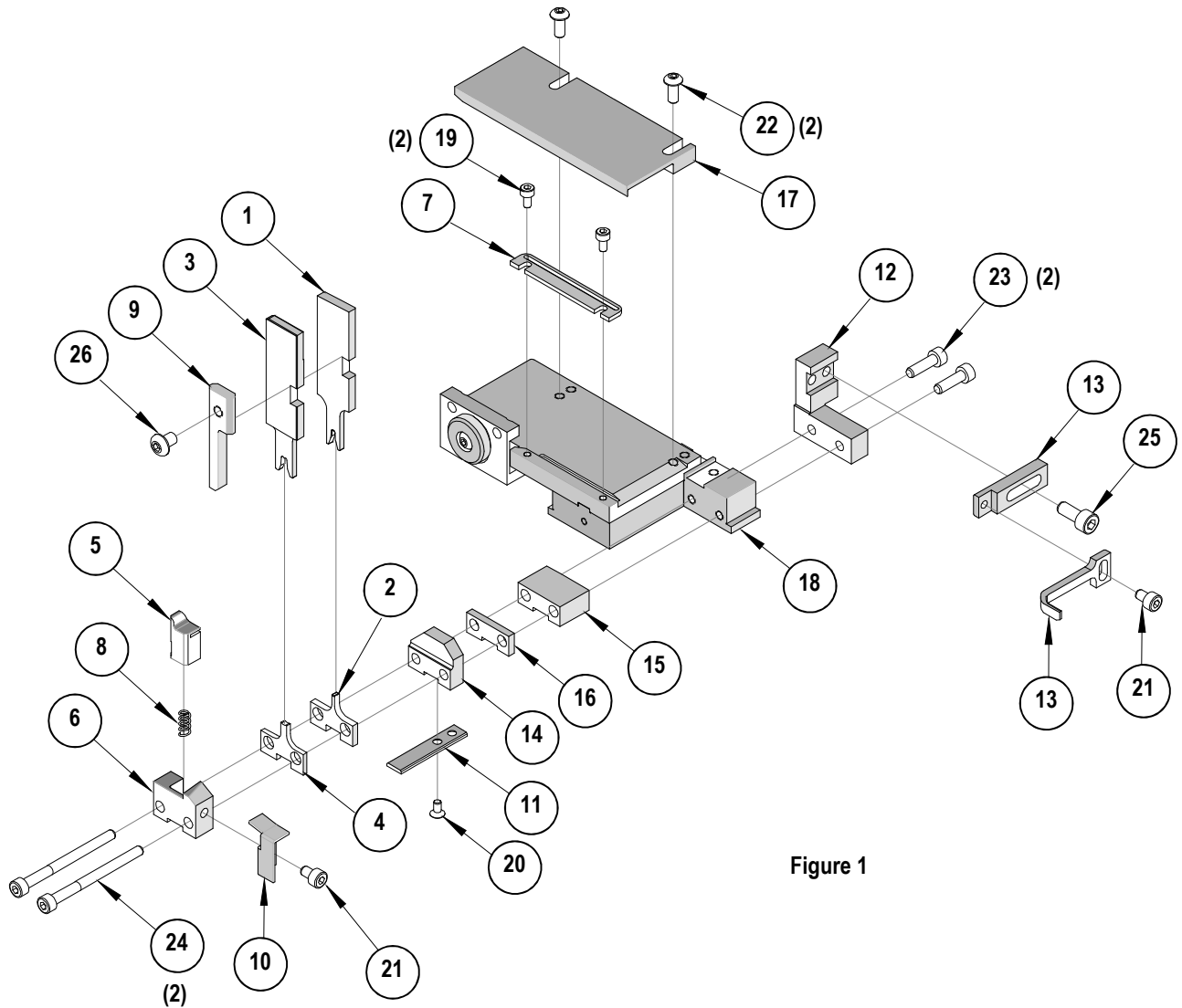


Figure 1

NOTES

Depending on the press vintage, a feed finger assembly is supplied with the T2 Terminator.

1. To remove the existing feed finger assembly, loosen the M4 x 10mm set screw in the feed lever.
2. Select the T2 feed finger assembly from the Terminator box.
3. Insert a screwdriver into the slot behind the feed lever, and force the feed arm spring to the right.
4. Slide the T2 feed finger shaft for the TM42 (11-40-5307) or (11-40-0123) for TM40 or Base Unit into the feed lever and to the left of the feed arm spring.
5. Release the feed arm spring.
6. Position the feed finger for the selected product (Refer to Figure 5.1 in the T2 Manual.).

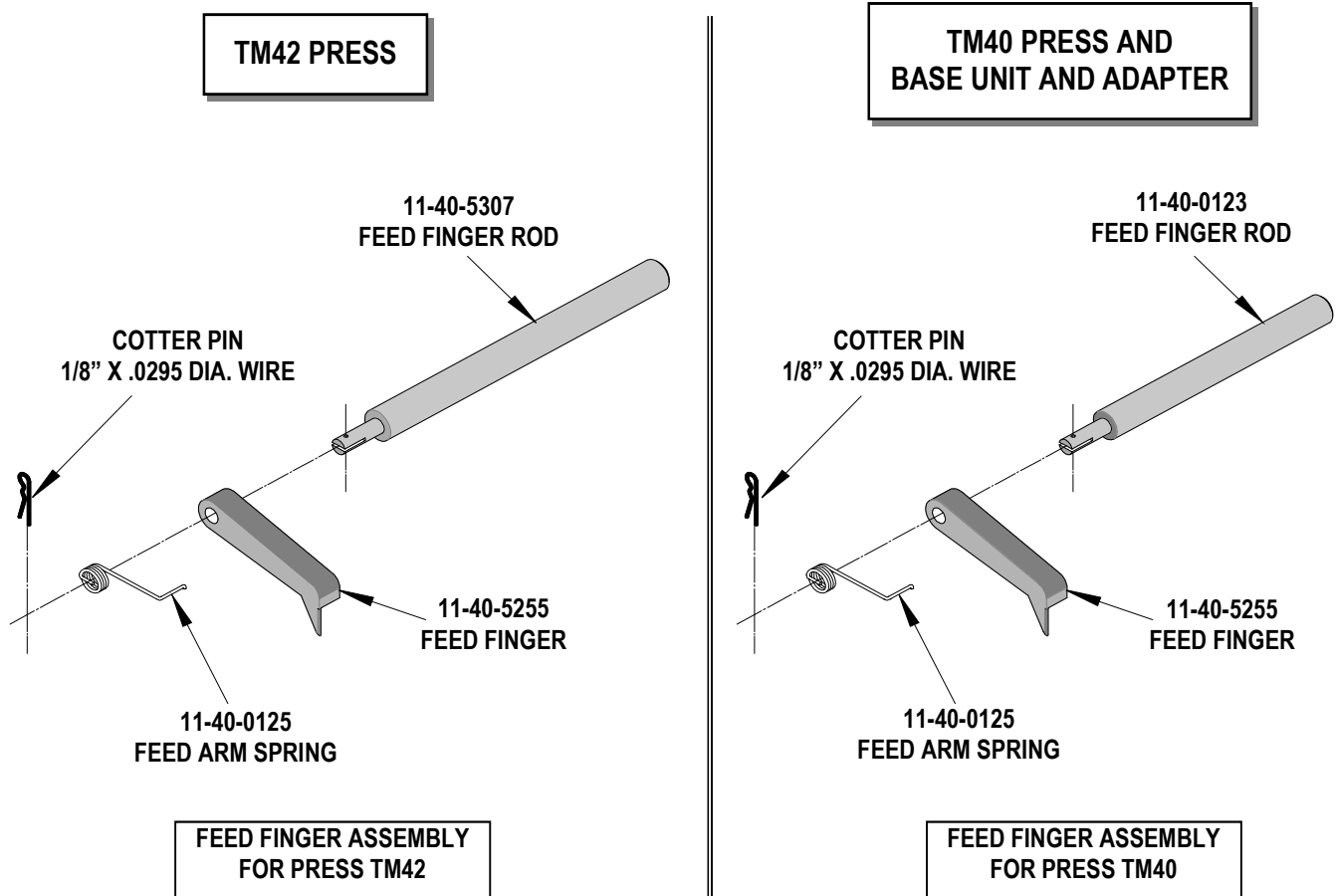




Figure 2

NOTES

1. Molex recommends that an extra perishable tooling kit be maintained at your facility.
2. Verify tooling alignment by manually cycling the press before crimping under power. Check that all screws are tight.
3. Slugs, terminals, dirt and oil should be kept clear of the work area.
4. This Terminator should be only used in a Molex TM42, TM40 or 3BF Press with a Base Unit adaptor.
5. Wear safety glasses at all times.
6. For recommended maintenance, refer to the TM40, TM42 Manual.

CAUTION: To prevent injury never operate this Terminator without the guards supplied with the press in place. Reference the TM42 press manufacturer's instruction manual.

CAUTION: Molex crimp specifications are valid only when used with Molex terminals, applicators and tooling.

 CAUTION	<p>CAUTION:</p> <p>Molex tooling crimp specifications are valid only when used with Molex terminals and tooling manufactured by Molex and sold by Molex or authorized distributors ("Molex Tooling").</p> <p>When using tooling other than Molex Tooling with Molex-specific connector systems listed in the ATS documents, the Molex Tooling qualification does not apply, and the responsibility for full qualification of the connector system is that of the customer.</p> <p>Molex accepts no liability for connector performance or tooling support where tooling other than Molex Tooling is used or where Molex Tooling is modified.</p>
 CAUTION	<p>CAUTION:</p> <p>A-620 and other industry standards do not supersede the manufacturer's specifications.</p> <p>Some terminals designed over 20 years ago may not meet the desired physical attributes for some of today's standards; however, these terminals will still perform electrically at an acceptable quality level based on qualification testing and years of successful performance in the field.</p>

Application Tooling Support

Phone: (402) 458-TOOL (8665)

E-Mail: applicationtooling@molex.com

Website: www.molex.com/applicationtooling

Molex is a registered trademark of Molex, LLC in the United States of America and may be registered in other countries; all other trademarks listed herein belong to their respective owners.