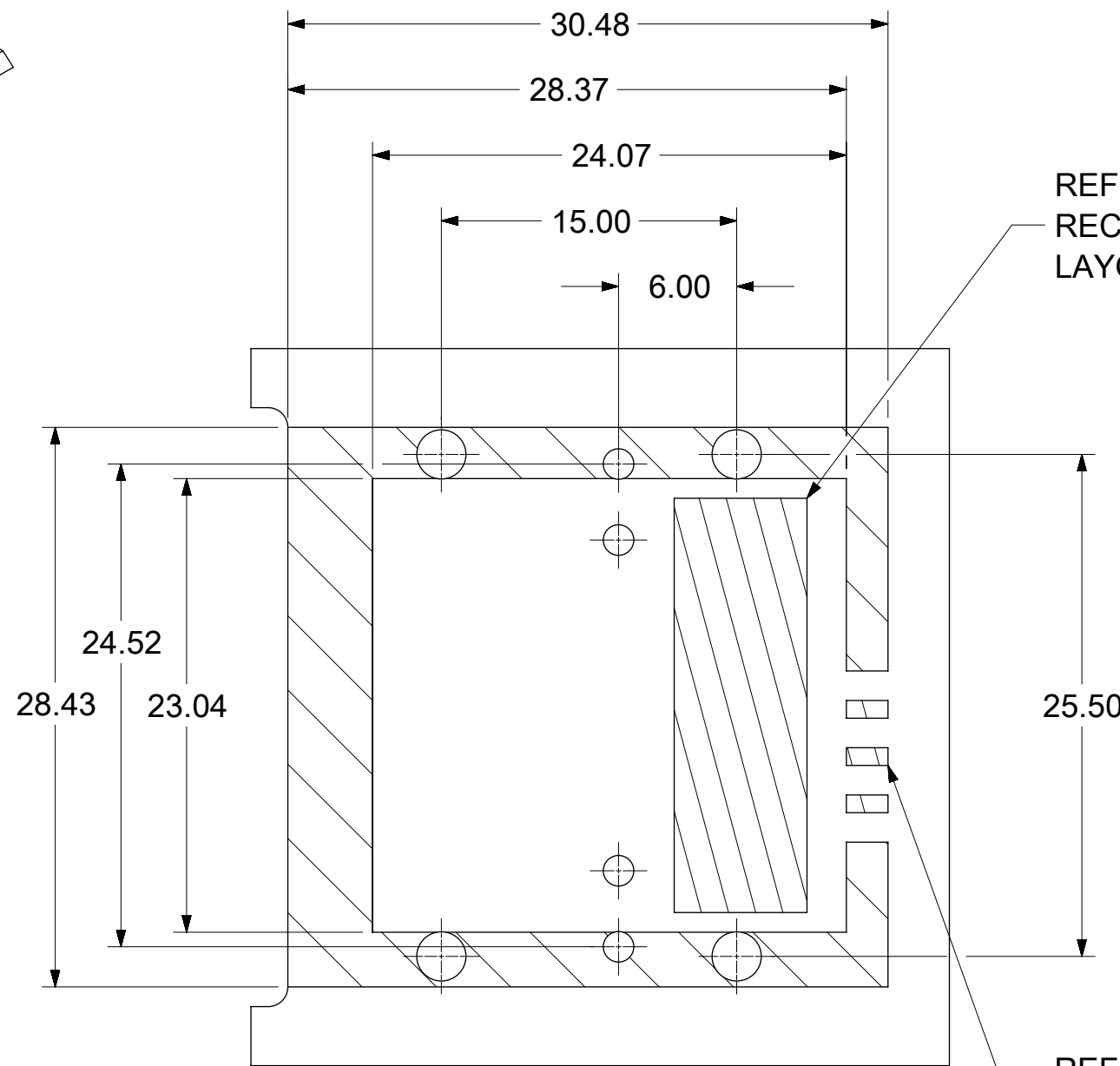
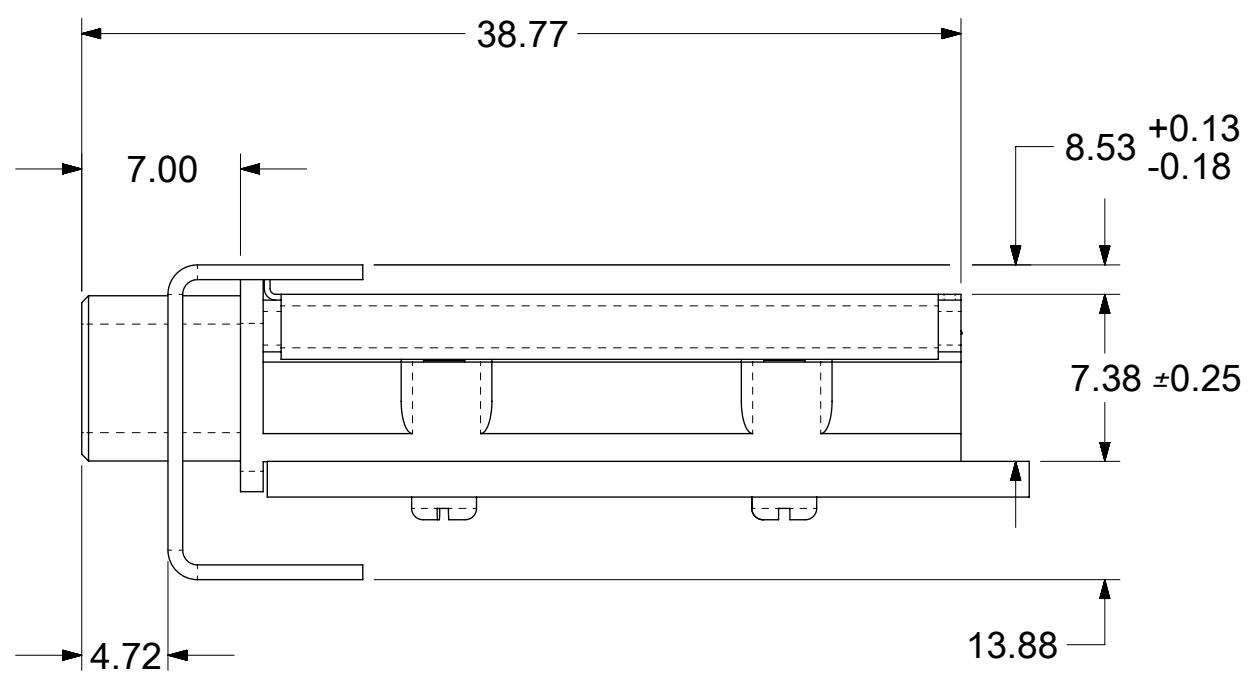
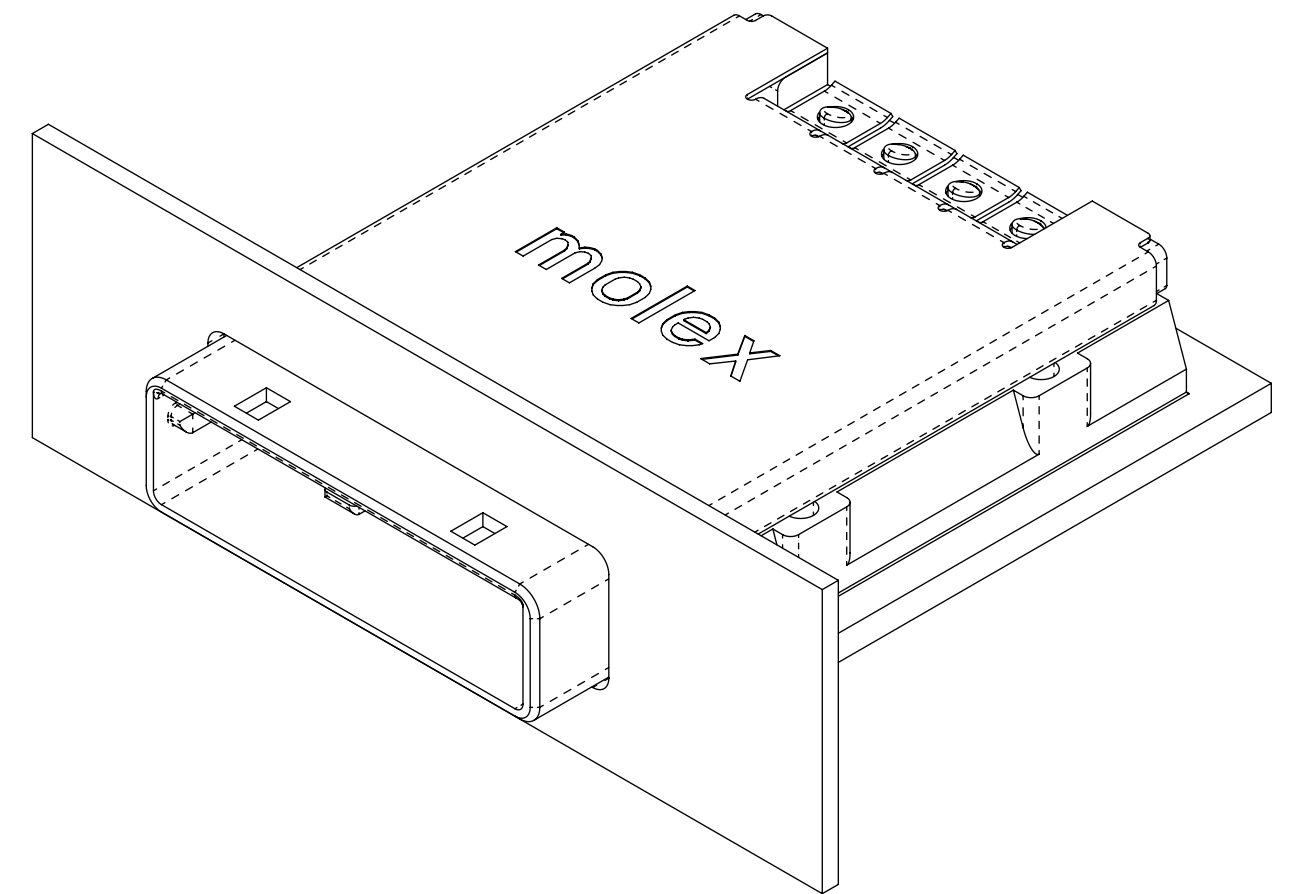
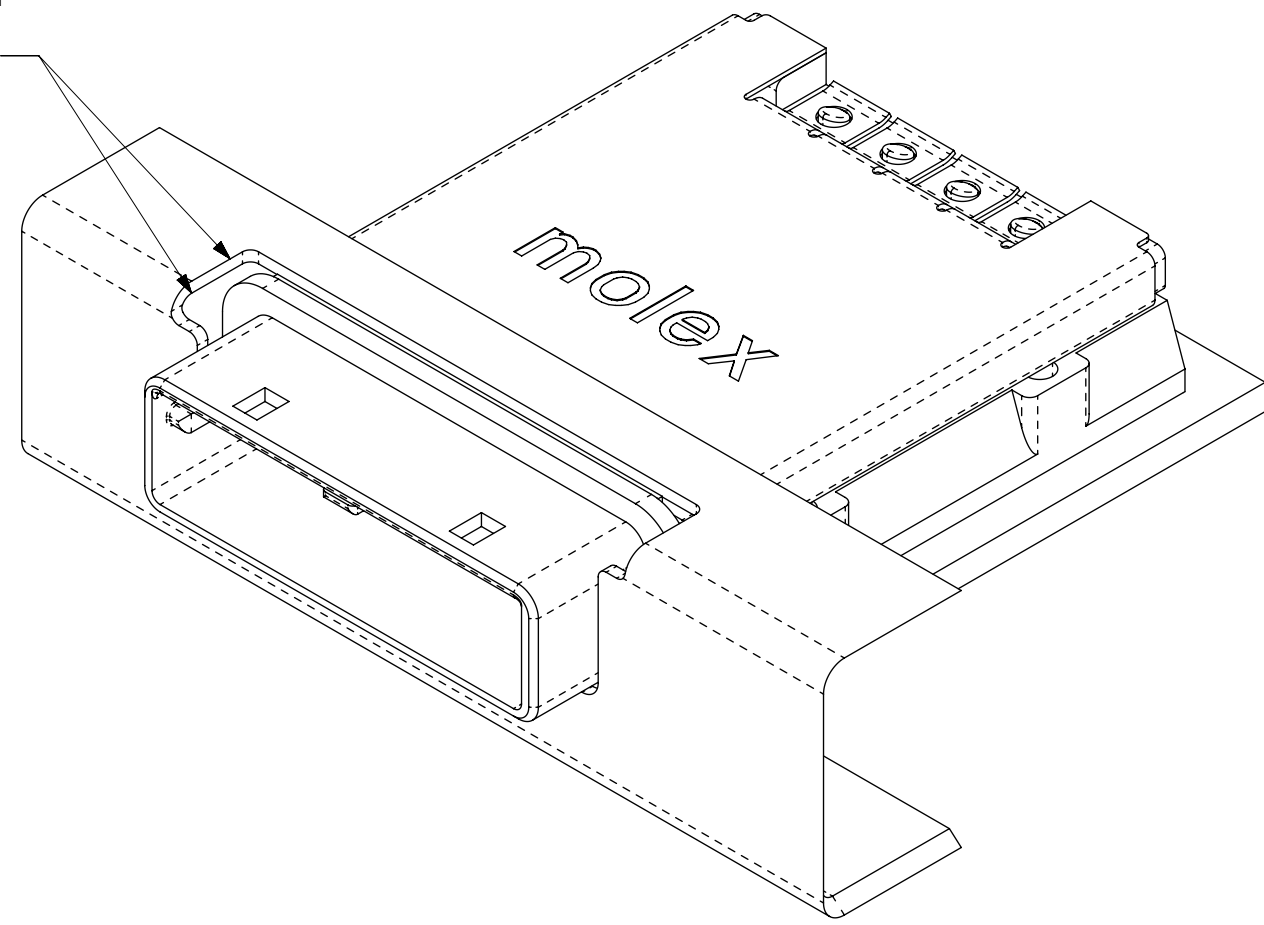


- NOTES:
- REF. PCI EXPRESS CARD ELECTROMECHANICAL SPECIFICATION, REV 1.0a FOR IO BRACKET WINDOW LOCATION.
  - PCB AND IO BRACKET SHOWN FOR REFERENCE ONLY.
  - REFER TO SHEET 2 FOR ATCA GUIDE HOUSING ASSEMBLY.
  - GUIDE HOUSING MOUNTING THREAD=M2 X 0.4, SEE SHEET 3 FOR SCREW LENGTH + TORQUE.
  - PCB NOTCH IS SHOWN FOR PCI COMPLIANT BOARD.
  - NO RoHS EXEMPTIONS
  - PLATE GROUND PAD WITH EMERSION SILVER OR GOLD.
  - MATES WITH MOLEX 4X CABLE SERIES 74546-040X.
  - GUIDE HOUSING PEGS FOR ALIGNMENT ONLY, DO NOT SOLDER.

iPass™ is a trademark of Molex.

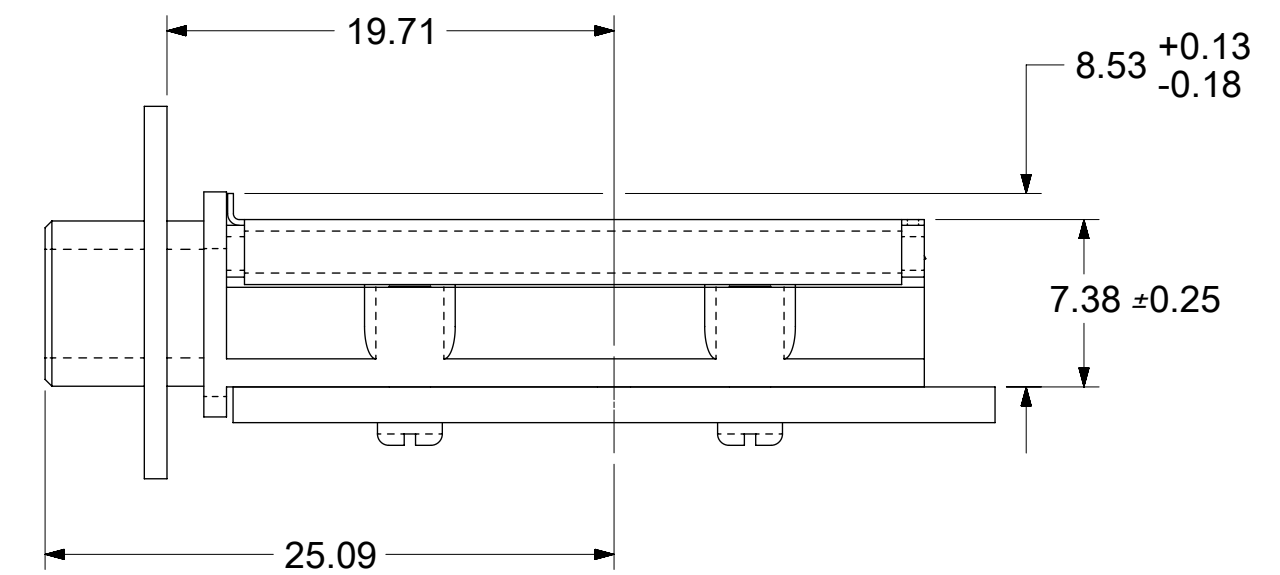
THIS DRAWING CONTAINS INFORMATION THAT IS PROPRIETARY TO MOLEX ELECTRONIC TECHNOLOGIES, LLC AND SHOULD NOT BE USED WITHOUT WRITTEN PERMISSION									
DIMENSION UNITS		SCALE		CURRENT REV DESC: OBSOLETE PART NO				<b>molex</b>	
mm		3:1							
GENERAL TOLERANCES (UNLESS SPECIFIED)				EC NO: 625872				IPASS X4 EMI GUIDE HOUSING ASSEMBLY W/ KEY	
ANGULAR TOL ± 0.5°				DRWN: AKUMAR19 2019/06/18					
4 PLACES ±				CHK'D: GB 2019/11/06				PRODUCT CUSTOMER DRAWING	
3 PLACES ±				APPR: GGA 2019/11/12					
2 PLACES ± 0.05				INITIAL REVISION:				DOCUMENT NUMBER <b>745400401</b>	
1 PLACE ± 0.1				DRWN: PMAHADEVAPPA 2018/12/17					
0 PLACES ±				APPR: RCHEN08 2019/01/15				DOC TYPE DOC PART REVISION PSD ASY J1	
DRAFT WHERE APPLICABLE MUST REMAIN WITHIN DIMENSIONS		THIRD ANGLE PROJECTION		DRAWING		SERIES		MATERIAL NUMBER CUSTOMER SHEET NUMBER	
		C-SIZE		74540		SEE P/N TABLE		1 OF 4	

GASKETS NOT SHOWN FOR CLARITY

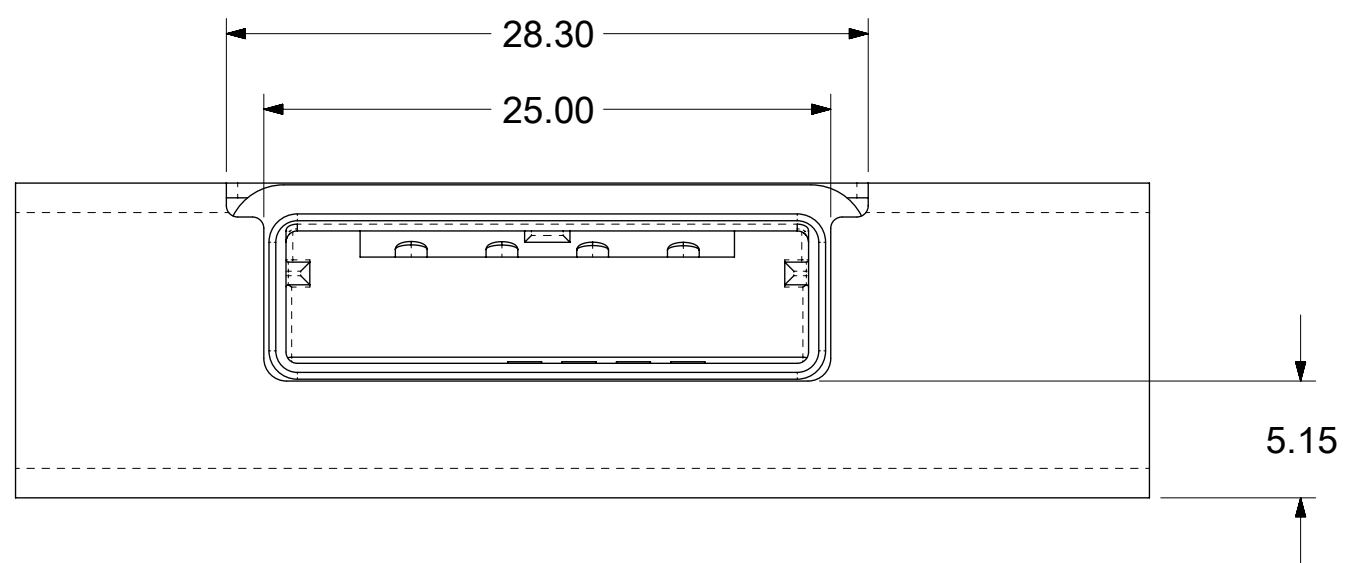


REF. SD-75586-001 FOR RECEPTACLE AND PCB LAYOUT INFORMATION

REF. SHEET 3 FOR GROUND PAD ALLEY LAYOUT INFORMATION



PCIe X4 GUIDE HOUSING ASSEMBLY



ADVANCED TCA APPLICATION SHOWN USING 0 DEGREE GUIDE HOUSING ASSEMBLY

STANDARD APPLICATION SHOWN USING 0 DEGREE GUIDE HOUSING ASSEMBLY

iPass™ is a trademark of Molex.

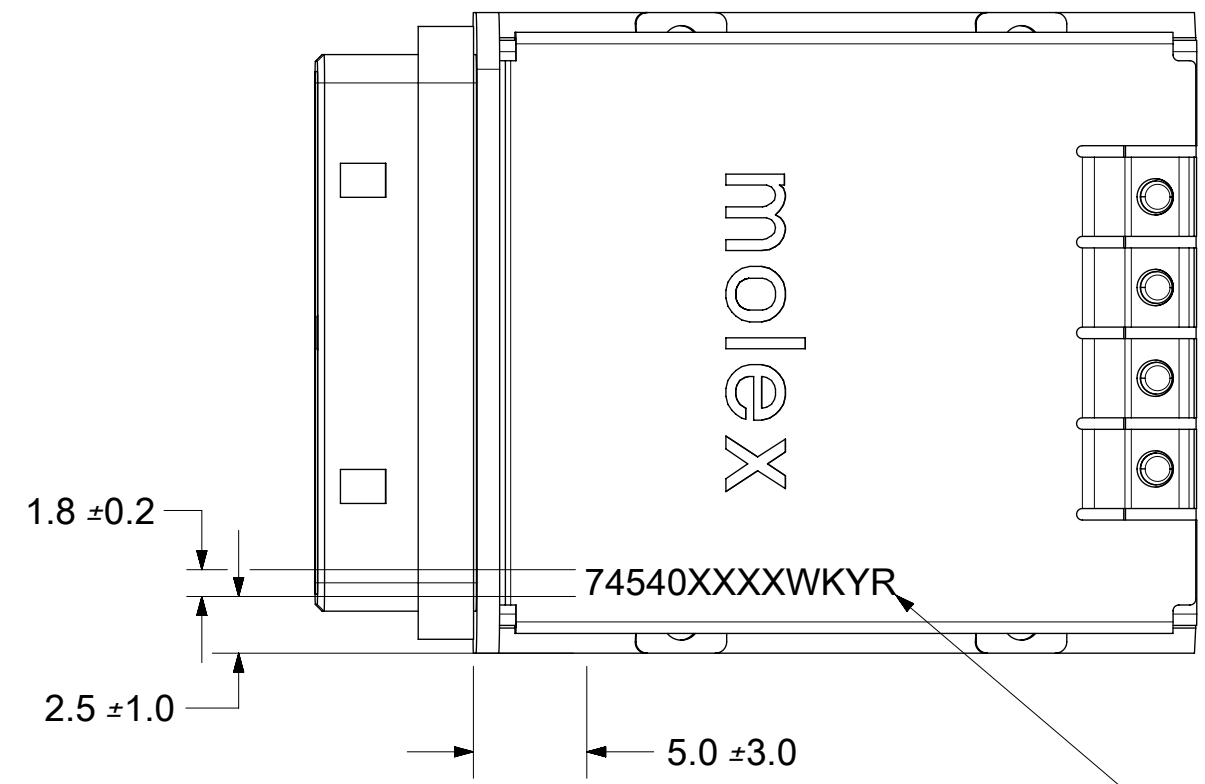
THIS DRAWING CONTAINS INFORMATION THAT IS PROPRIETARY TO MOLEX ELECTRONIC TECHNOLOGIES, LLC AND SHOULD NOT BE USED WITHOUT WRITTEN PERMISSION

DIMENSION UNITS		SCALE		CURRENT REV DESC: OBSOLETE PART NO				<b>molex</b>							
mm		3:1													
GENERAL TOLERANCES (UNLESS SPECIFIED)				EC NO: 625872				IPASS X4 EMI GUIDE HOUSING ASSEMBLY W/ KEY							
ANGULAR TOL ± 0.5°				DRWN: AKUMAR19 2019/06/18											
4 PLACES ±				CHK'D: GB 2019/11/06				PRODUCT CUSTOMER DRAWING							
3 PLACES ±				APPR: GGA 2019/11/12											
2 PLACES ± 0.05				INITIAL REVISION:				DOCUMENT NUMBER							
1 PLACE ± 0.1				DRWN: PMAHADEVAPPA 2018/12/17				745400401		DOC TYPE		DOC PART		REVISION	
0 PLACES ±				APPR: RCHEN08 2019/01/15				PSD		ASY		J1			
DRAFT WHERE APPLICABLE MUST REMAIN WITHIN DIMENSIONS				THIRD ANGLE PROJECTION		DRAWING		SERIES		MATERIAL NUMBER		CUSTOMER		SHEET NUMBER	
						C-SIZE		74540		SEE P/N TABLE				2 OF 4	

DOCUMENT STATUS	P1	RELEASE DATE	2019/11/12	07:19:35
-----------------	----	--------------	------------	----------

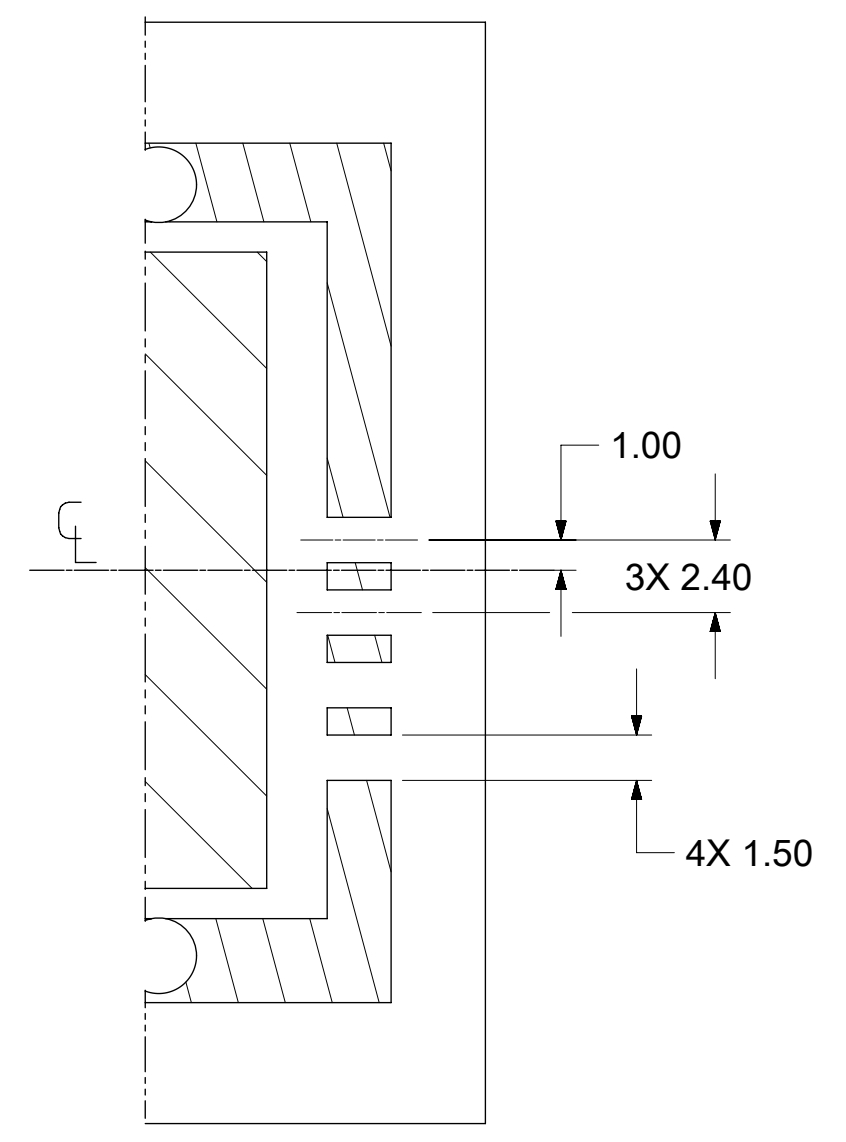
P/N	DESCRIPTION	GEN	ELASTOMERIC GASKET FLAMMABILITY RATING
745400401	4X EMI GUIDE HOUSING ASSEMBLY - PCIE / 1 DEG	GEN1	
745400501	4X EMI GUIDE HOUSING ASSEMBLY - ATCA / 0 DEG	GEN1	

PCB THICKNESS	SCREW LENGTH	TORQUE(IN LBS)
1.6	5MM	2.3
2.38	6MM	2.3
3.2	6MM	2.3
X	+4MM MAX	2.3



PART NO. AND WEEK/YEAR DATE CODE TO BE PRINTED ON TOP OF COVER APPROXIMATELY AS SHOWN. SEE TABLE BELOW FOR DATE CODE INFORMATION.

WEEK/YEAR DATE CODE TABLE	
WK	WEEK OF THE YEAR 01 THRU 52 (EXAMPLE: 01= FIRST WEEK OF YEAR 52= LAST WEEK OF YEAR)
YR	19, 20, 21,, ETC.. (EXAMPLE: YEAR 2019= 19)

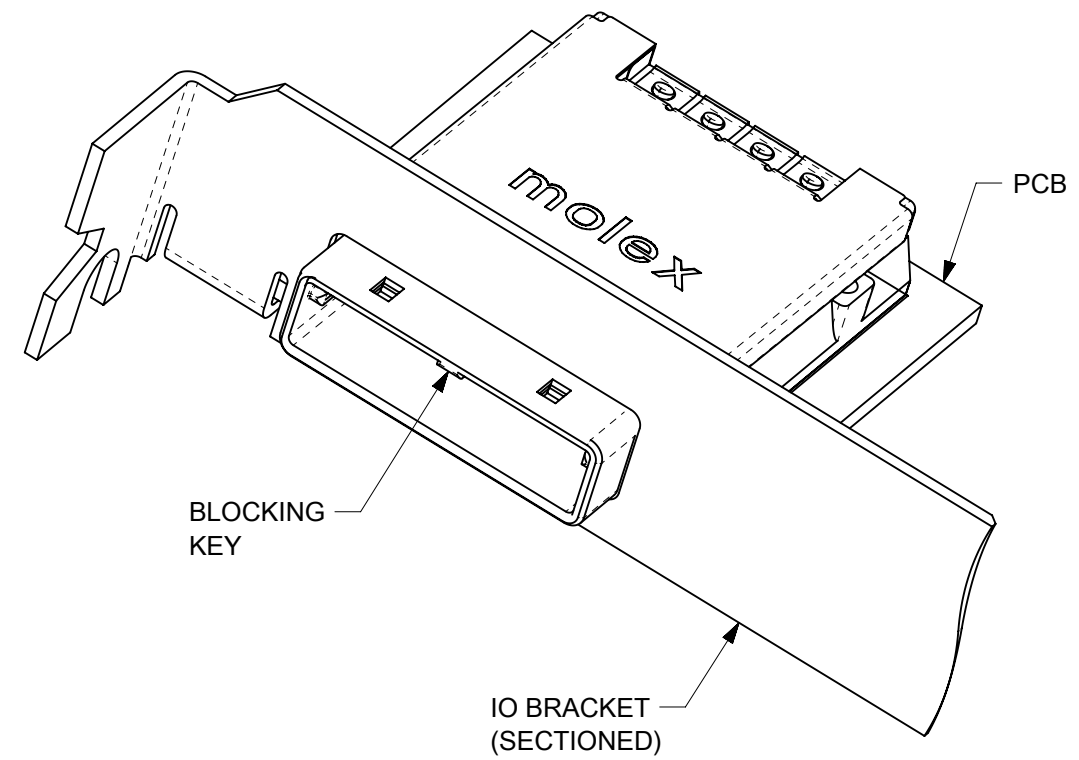
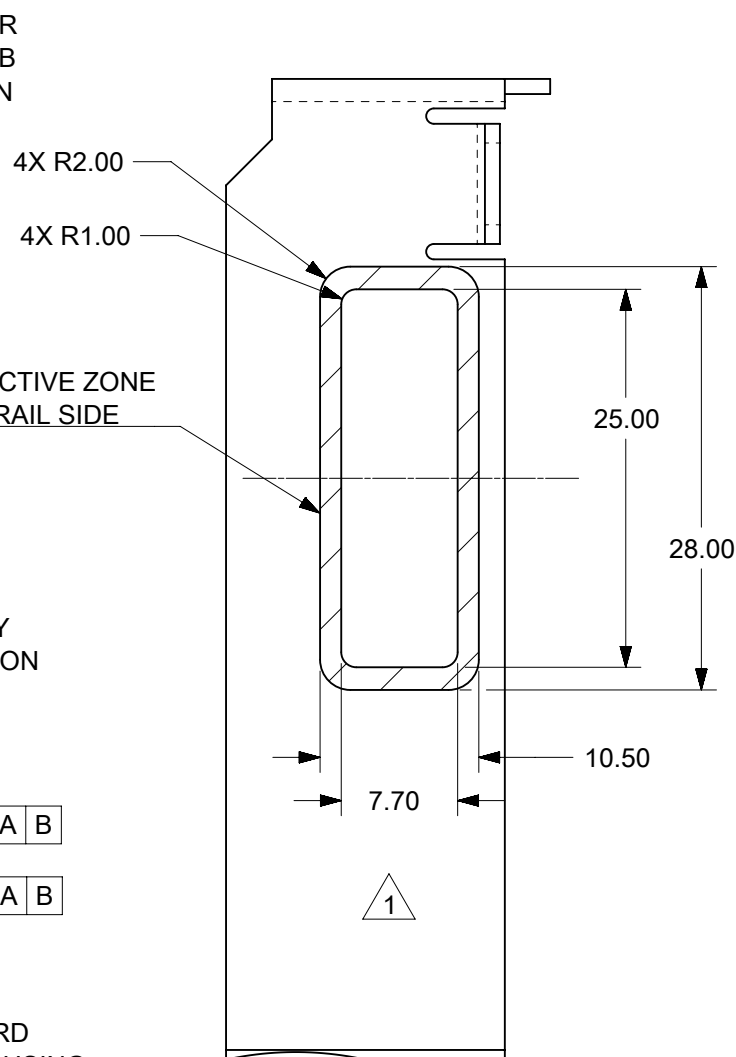
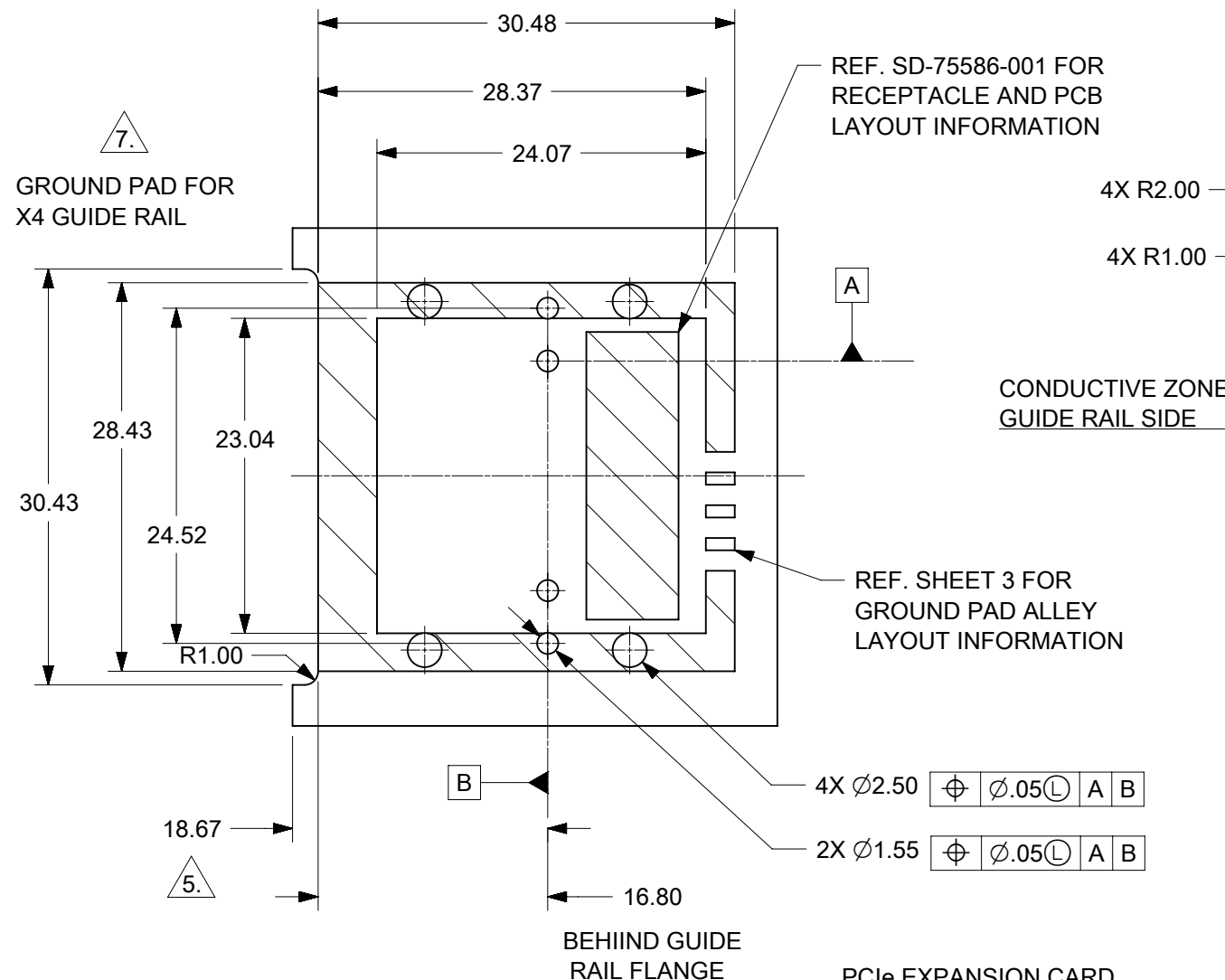


PARTIAL1  
SCALE 4:1  
GROUND PAD ALLEY  
LAYOUT INFORMATION

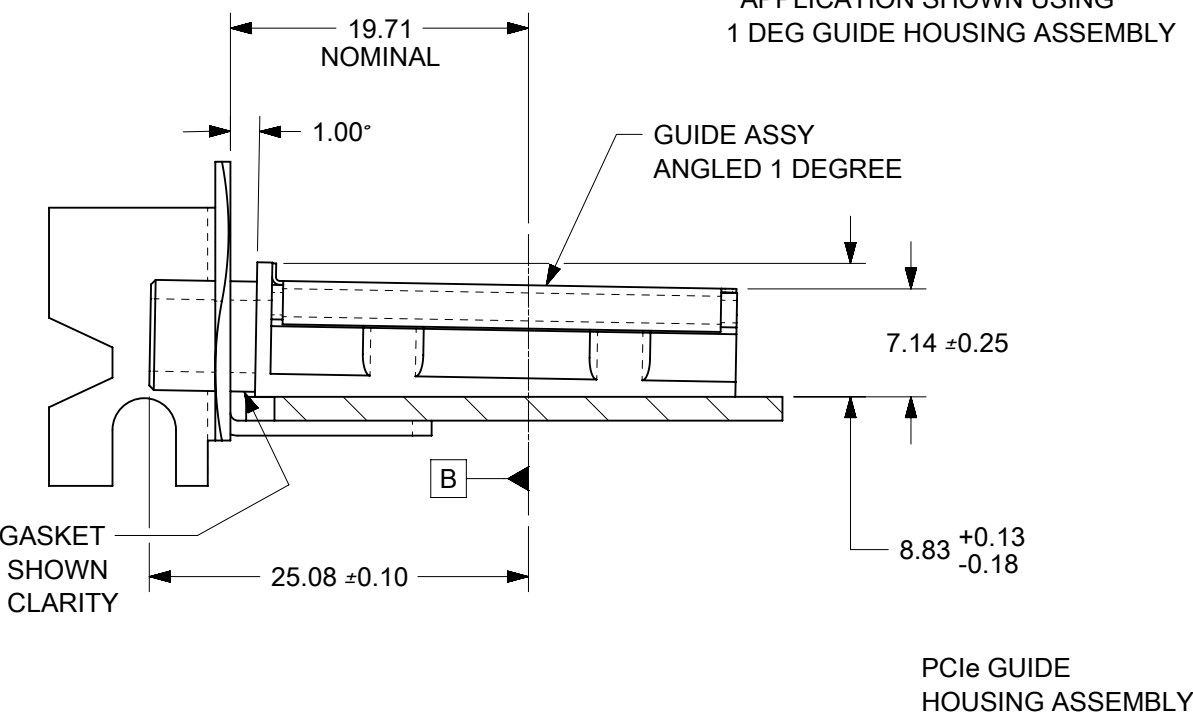


THIS DRAWING CONTAINS INFORMATION THAT IS PROPRIETARY TO MOLEX ELECTRONIC TECHNOLOGIES, LLC AND SHOULD NOT BE USED WITHOUT WRITTEN PERMISSION									
DIMENSION UNITS <b>mm</b>		SCALE <b>1:1</b>		CURRENT REV DESC: OBSOLETE PART NO				<b>molex</b>	
GENERAL TOLERANCES (UNLESS SPECIFIED)				EC NO: 625872					
ANGULAR TOL $\pm 0.5^\circ$		4 PLACES $\pm$		DRWN: AKUMAR19		2019/06/18		PRODUCT CUSTOMER DRAWING	
3 PLACES $\pm$		2 PLACES $\pm 0.05$		CHK'D: GB		2019/11/06		DOCUMENT NUMBER	
1 PLACE $\pm 0.1$		0 PLACES $\pm$		APPR: GGA		2019/11/12		745400401	
DRAFT WHERE APPLICABLE MUST REMAIN WITHIN DIMENSIONS		THIRD ANGLE PROJECTION		DRAWING		SERIES		DOC TYPE   DOC PART   REVISION	
				C-SIZE		74540		PSD   ASY   J1	
DOCUMENT STATUS		P1		RELEASE DATE		2019/11/12 07:19:35		MATERIAL NUMBER	
12		11		10		9		SEE P/N TABLE	
11		10		9		8		CUSTOMER	
10		9		8		7		SHEET NUMBER	
9		8		7		6		3 OF 4	
8		7		6		5		1	
7		6		5		4		1	
6		5		4		3		1	
5		4		3		2		1	
4		3		2		1		1	
3		2		1		1		1	
2		1		1		1		1	
1		1		1		1		1	





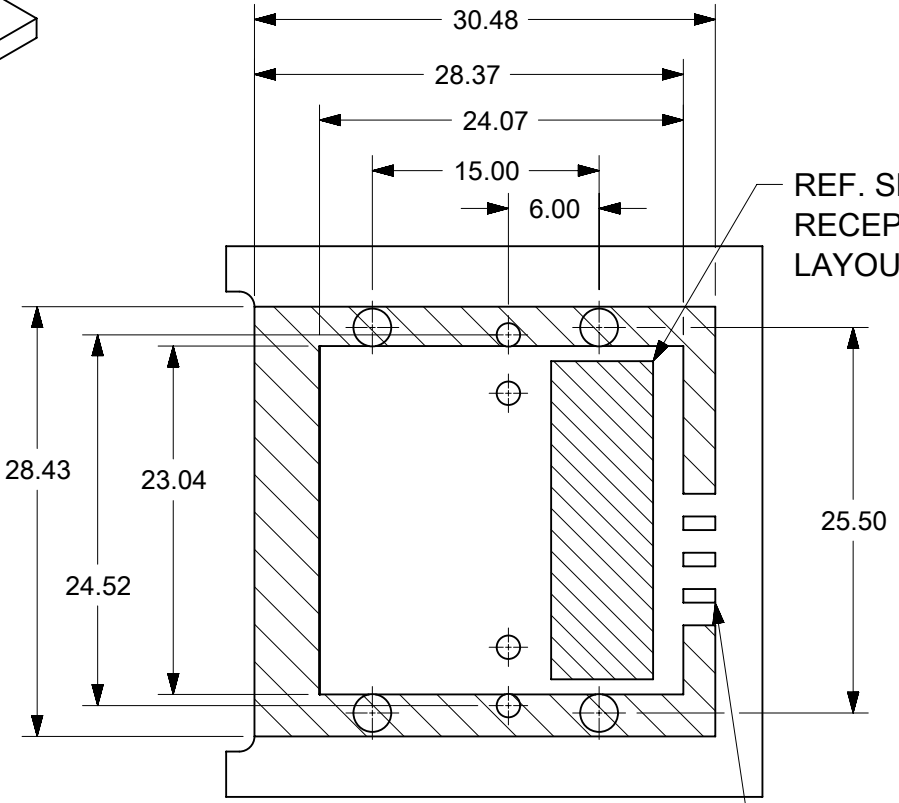
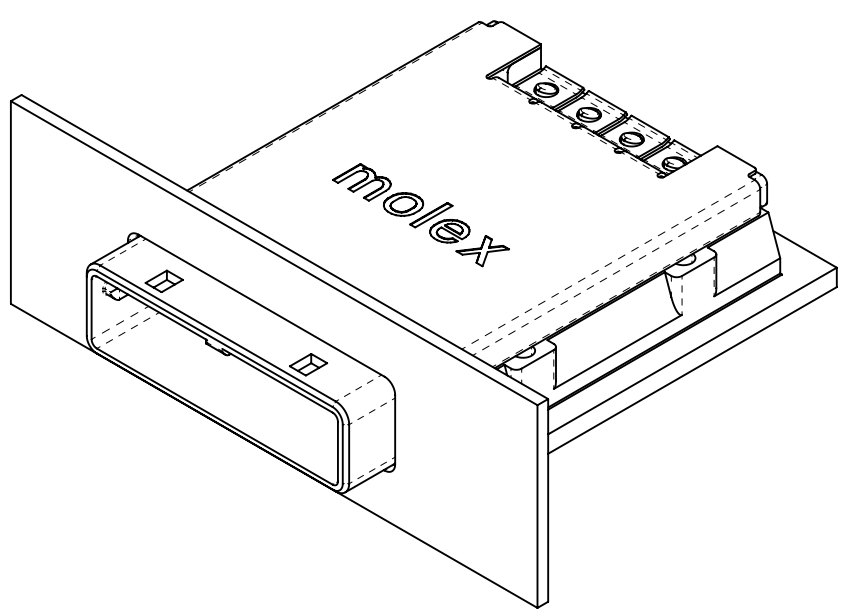
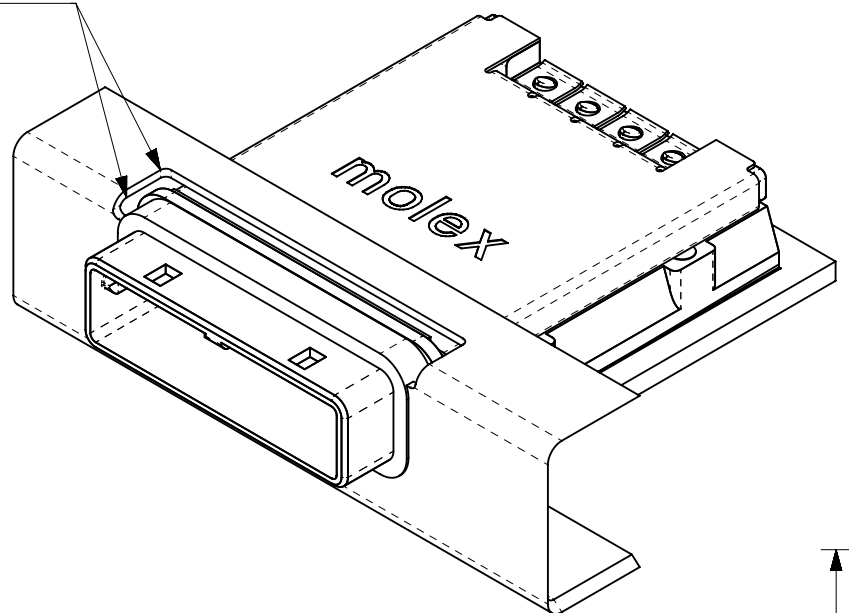
- NOTES:
1. REF. PCI EXPRESS CARD ELECTROMECHANICAL SPECIFICATION, REV 1.0a FOR IO BRACKET WINDOW LOCATION.
  2. PCB AND IO BRACKET SHOWN FOR REFERENCE ONLY.
  3. REFER TO SHEET 2 FOR ATCA GUIDE HOUSING ASSEMBLY.
  4. GUIDE HOUSING MOUNTING THREAD= M2 X 0.4, SEE SHEET 3 FOR SCREW LENGTH + TORQUE.
  5. PCB NOTCH IS SHOWN FOR PCI COMPLIANT BOARD.
  6. NO RoHS EXEMPTIONS
  7. PLATE GROUND PAD WITH EMERSION SILVER OR GOLD.
  8. MATES WITH MOLEX 4X CABLE SERIES 74546-040X.
  9. GUIDE HOUSING PEGS FOR ALIGNMENT ONLY, DO NOT SOLDER.



iPass™ is a trademark of Molex.

THIS DRAWING CONTAINS INFORMATION THAT IS PROPRIETARY TO MOLEX ELECTRONIC TECHNOLOGIES, LLC AND SHOULD NOT BE USED WITHOUT WRITTEN PERMISSION																																																			
DIMENSION UNITS		SCALE		CURRENT REV DESC: OBSOLETE PART NO																																															
MM		2:1		<table border="1"> <tr> <td colspan="2">GENERAL TOLERANCES (UNLESS SPECIFIED)</td> <td colspan="2">EC NO: 625872</td> <td colspan="2">2019/09/26</td> </tr> <tr> <td>4 PLACES ±</td> <td></td> <td colspan="2">DRWN: SNAVARRO</td> <td colspan="2">2019/11/06</td> </tr> <tr> <td>3 PLACES ±</td> <td></td> <td colspan="2">CHK'D: GB</td> <td colspan="2">2019/11/12</td> </tr> <tr> <td>2 PLACES ±</td> <td>0.05</td> <td colspan="2">APPR: GGA</td> <td colspan="2"></td> </tr> <tr> <td>1 PLACE ±</td> <td>0.1</td> <td colspan="2">INITIAL REVISION:</td> <td colspan="2"></td> </tr> <tr> <td>0 PLACES ±</td> <td></td> <td colspan="2">DRWN: SNAVARRO</td> <td colspan="2">2006/05/26</td> </tr> <tr> <td colspan="2">ANGULAR TOL ± 0.5°</td> <td colspan="2">APPR: DDOYE</td> <td colspan="2">2006/05/25</td> </tr> </table>						GENERAL TOLERANCES (UNLESS SPECIFIED)		EC NO: 625872		2019/09/26		4 PLACES ±		DRWN: SNAVARRO		2019/11/06		3 PLACES ±		CHK'D: GB		2019/11/12		2 PLACES ±	0.05	APPR: GGA				1 PLACE ±	0.1	INITIAL REVISION:				0 PLACES ±		DRWN: SNAVARRO		2006/05/26		ANGULAR TOL ± 0.5°		APPR: DDOYE		2006/05/25	
GENERAL TOLERANCES (UNLESS SPECIFIED)		EC NO: 625872								2019/09/26																																									
4 PLACES ±		DRWN: SNAVARRO								2019/11/06																																									
3 PLACES ±		CHK'D: GB								2019/11/12																																									
2 PLACES ±	0.05	APPR: GGA																																																	
1 PLACE ±	0.1	INITIAL REVISION:																																																	
0 PLACES ±		DRWN: SNAVARRO		2006/05/26																																															
ANGULAR TOL ± 0.5°		APPR: DDOYE		2006/05/25																																															
PRODUCT CUSTOMER DRAWING		DOCUMENT NUMBER		DOC TYPE		DOC PART		REVISION																																											
		SD-74540-401		PSD		001		J1																																											
DRAFT WHERE APPLICABLE MUST REMAIN WITHIN DIMENSIONS		THIRD ANGLE PROJECTION		DRAWING		SERIES		MATERIAL NUMBER																																											
		B-SIZE		74540		SEE P/N TABLE		CUSTOMER																																											
				GENERAL MARKET				SHEET NUMBER																																											
								1 OF 4																																											

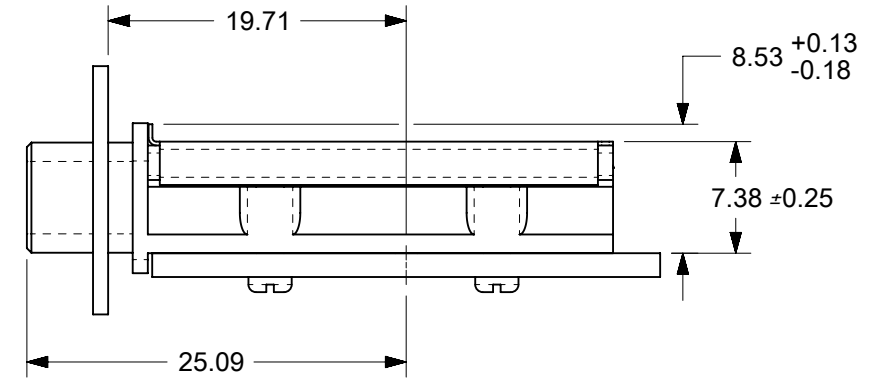
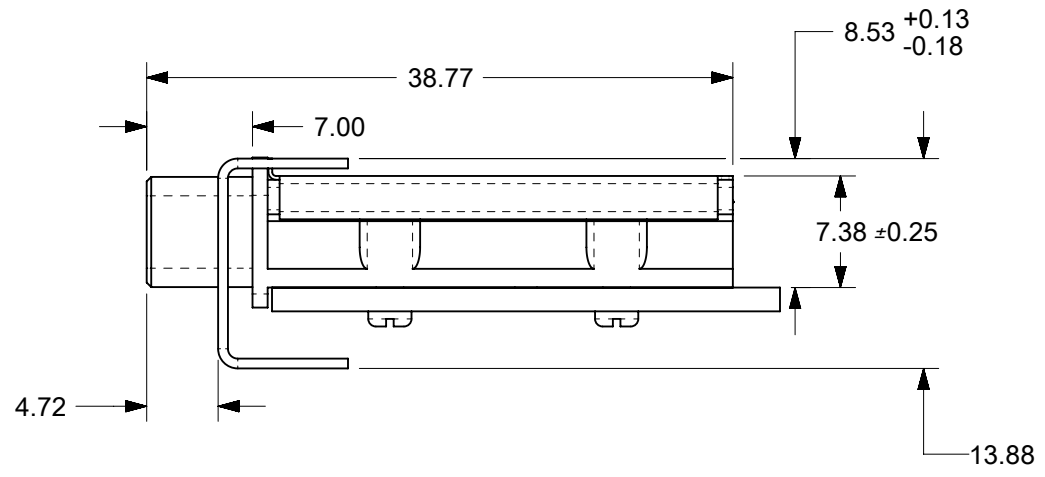
GASKETS NOT SHOWN FOR CLARITY



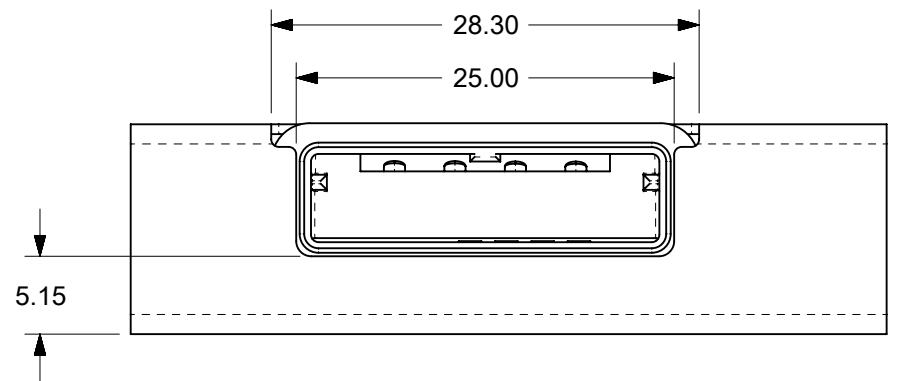
REF. SD-75586-001 FOR RECEPTACLE AND PCB LAYOUT INFORMATION

REF. SHEET 3 FOR GROUND PAD ALLEY LAYOUT INFORMATION

7.



STANDARD APPLICATION SHOWN USING 0 DEGREE GUIDE HOUSING ASSEMBLY



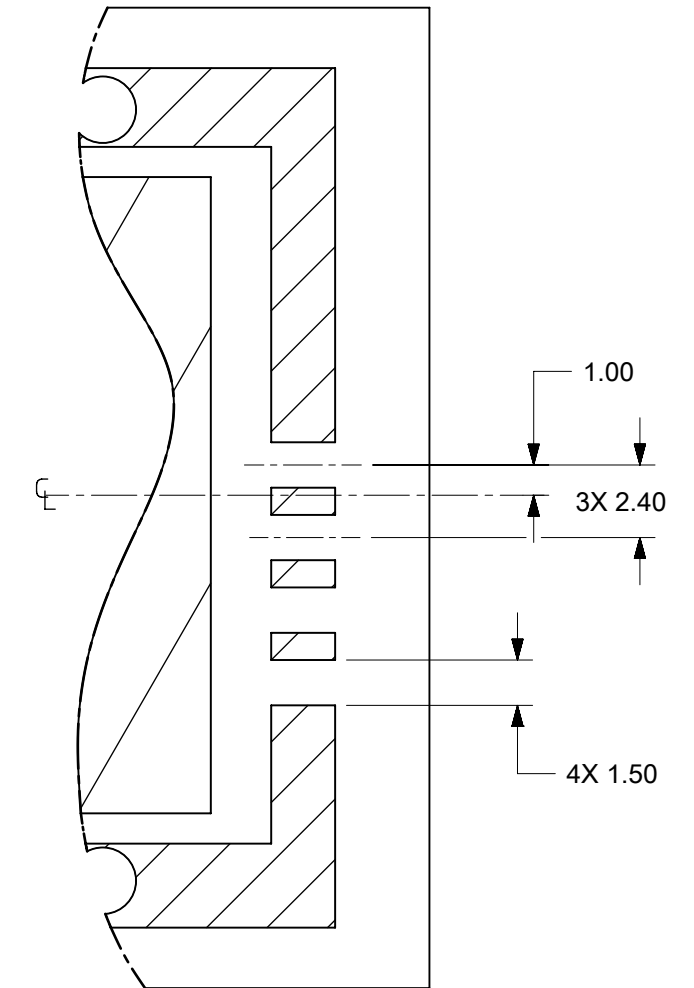
ADVANCED TCA APPLICATION SHOWN USING 0 DEGREE GUIDE HOUSING ASSEMBLY

iPass™ is a trademark of Molex.

THIS DRAWING CONTAINS INFORMATION THAT IS PROPRIETARY TO MOLEX ELECTRONIC TECHNOLOGIES, LLC AND SHOULD NOT BE USED WITHOUT WRITTEN PERMISSION											
DIMENSION UNITS		SCALE		CURRENT REV DESC: OBSOLETE PART NO							
MM		2:1									
GENERAL TOLERANCES (UNLESS SPECIFIED)											
		MM	INCH								
4 PLACES ±				EC NO: 625872		2019/09/26					
3 PLACES ±				DRWN: AKUMAR19		2019/11/06					
2 PLACES ±		0.05		CHK'D: GB		2019/11/12					
1 PLACE ±		0.1		APPR: GGA							
0 PLACES ±				INITIAL REVISION:							
ANGULAR TOL		± 0.5°		DRWN: SNAVARRO		2006/05/26					
				APPR: DDOYE		2006/05/25					
DRAFT WHERE APPLICABLE MUST REMAIN WITHIN DIMENSIONS				THIRD ANGLE PROJECTION		DRAWING		SERIES		DOCUMENT NUMBER	
				B-SIZE		74540		SD-74540-401		PSD 001 J1	
								MATERIAL NUMBER		CUSTOMER	
								SEE P/N TABLE		GENERAL MARKET	
										SHEET NUMBER	
										2 OF 4	

P/N	DESCRIPTION	GEN	ELASTOMERIC GASKET FLAMMABILITY RATING
745400401	4X EMI GUIDE HOUSING ASSEMBLY - PCIE / 1 DEG	GEN1	
745400501	4X EMI GUIDE HOUSING ASSEMBLY - ATCA / 0 DEG	GEN1	

PCB THICKNESS	SCREW LENGTH	TORQUE (IN LBS)
1.6	5MM	2.3
2.38	6MM	2.3
3.2	6MM	2.3
X	+4MM MAX	2.3



PARTIAL 1  
SCALE 4:1  
GROUND PAD ALLEY  
LAYOUT INFORMATION



THIS DRAWING CONTAINS INFORMATION THAT IS PROPRIETARY TO MOLEX ELECTRONIC TECHNOLOGIES, LLC AND SHOULD NOT BE USED WITHOUT WRITTEN PERMISSION									
DIMENSION UNITS <b>MM</b>		SCALE <b>1:1</b>		CURRENT REV DESC: OBSOLETE PART NO					
GENERAL TOLERANCES (UNLESS SPECIFIED)				<b>molex</b> IPASS X4 EMI GUIDE HOUSING ASSEMBLY W/ KEY PRODUCT CUSTOMER DRAWING					
	MM	INCH							
4 PLACES	±	±							
3 PLACES	±	±							
2 PLACES	± 0.05	±							
1 PLACE	± 0.1	±							
0 PLACES	±	±							
ANGULAR TOL ± 0.5°				EC NO: 625872		DRWN: AKUMAR19		2019/09/26	
DRAFT WHERE APPLICABLE MUST REMAIN WITHIN DIMENSIONS				THIRD ANGLE PROJECTION		DRAWING		SERIES	
				B-SIZE		74540		MATERIAL NUMBER	
								SEE P/N TABLE	
								CUSTOMER	
								GENERAL MARKET	
								SHEET NUMBER	
								3 OF 4	

