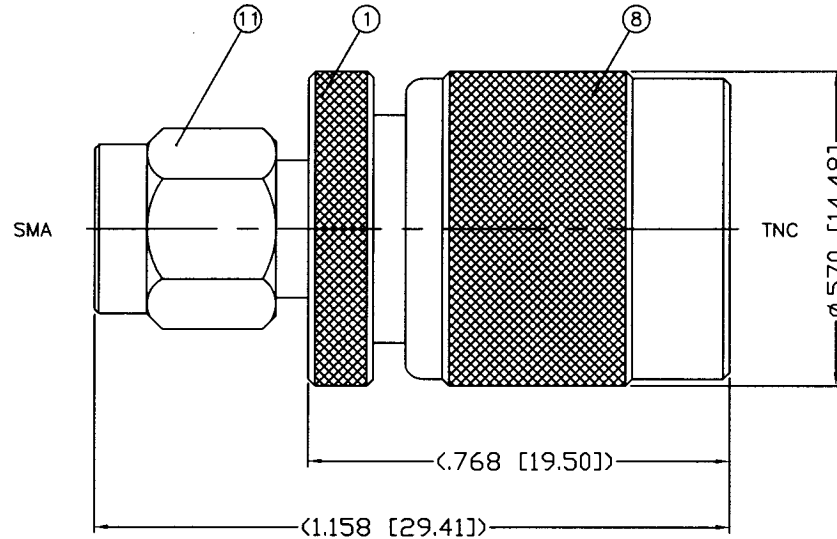


THIS DRAWING CONTAINS INFORMATION PROPRIETARY TO RF INDUSTRIES.
 ANY UNAUTHORIZED USE OF THIS DRAWING IS EXPRESSLY PROHIBITED
 WITHOUT WRITTEN PERMISSION FROM RF INDUSTRIES.
 ANY VIOLATION IS PUNISHABLE UNDER U.S. COPYRIGHT LAWS.

ALL DIMENSIONS ARE REFERENCE ONLY

PART NO.		RSA-3454		
REV	DESCRIPTION	DWN	DATE	APPROVED
A	ENGINEERING RELEASE	WD	4/4/94	F. VIERA
B	CREATE SECTION DRAWING	KMM	10/10/94	R. RICE
C	ADD DIMS TO BODY / CHG ITEM #6 MAT / SEP #1 & #10 VIEWS	KMM	9/28/98	R. RICE
D	ADDED NEW SPEC'S & UPDATE FORMAT, PH #	JDM	11/11/03	JDMc



SPECIFICATIONS:


IMPEDANCE: 50 Ohms
 INTERFACE: Per MIL-STD-348
 FREQUENCY RANGE: 0-11 GHz
 VSWR: < 1.12:1 to 6 GHz
 INSERTION LOSS: -0.13 dB Max 0-6 GHz
 WORKING VOLTAGE: 375 VRMS @ sea level
 TEMPERATURE RANGE: -65°C TO 85°C
 INSULATION RESISTANCE: 5k M Ohms min.
 RF LEAKAGE: N/A
 RF HIGH POTENTIAL: 1k VRMS @ 5~7.5 MHz
 CONNECTOR DURABILITY: 500 Cycles Min.

1	BODY	1	BRASS	NICKEL, 100 μ"	008974	
2	INSULATOR	1	PTFE	WHITE μ"		
3	PIN	1	BRASS	GOLD, 3 μ"		
4	WASHER	1	BRASS	NICKEL		
5	BUSHING	1	DELRIN	WHITE μ"		
6	R-RING	1	BRASS	NICKEL, 100 μ"		
7	GASKET	1	RUBBER	RED		
8	SHELL	1	BRASS	NICKEL, 100		
9	R-RING	1	BE.CU.	N/A		
10	GASKET		SILICONE	RED		
11	SHELL		BRASS	NICKEL, 100 μ"		
12						
13						
14						
#	DESCRIPTION	QTY	MATRL	FINISH	APPROVALS	DATE

UNLESS OTHERWISE SPECIFIED:
 1. REMOVE ALL BURRS
 2. BREAK ALL CORNERS & EDGES .005 R. MAX.
 3. CHAMFER 1ST & LAST THREADS 45°
 4. SURFACE ROUGHNESS 63 FINISH MIL-STD-10
 5. DIAMETERS ON COMMON CENTERS TO BE CONCENTRIC WITHIN .002 T.I.R.
 6. ALL DIMENSIONS ARE AFTER PLATING.

DIMENSIONS ARE IN INCHES AND [MILLIMETERS]
 UNLESS OTHERWISE NOTED TOLERANCES ARE:
 DECIMALS DIAMETER
 .XXX±.003 [.08] .XXX±.001 [.03]
 .XX±.005 [.13] .XX±.003 [.08]

7610 MIRAMAR RD
 SAN DIEGO, CA 92126
 (858) 549-6340
 (858) 549-6345 FAX



DIVISION OF RF INDUSTRIES, LTD.

SMA PLUG TO TNC PLUG

ADAPTER

SIZE A	CABLE GROUP N/A	DWG NO. RSA-3454	REV D
SCALE: NTS		CAD FILE OUTLINE	SHEET 1 OF 1

DRAWN JDMc
 CHECKED JDMc
 ORJ DRAWN JDMc
 11/7/03
 11-11-03
 11/7/03