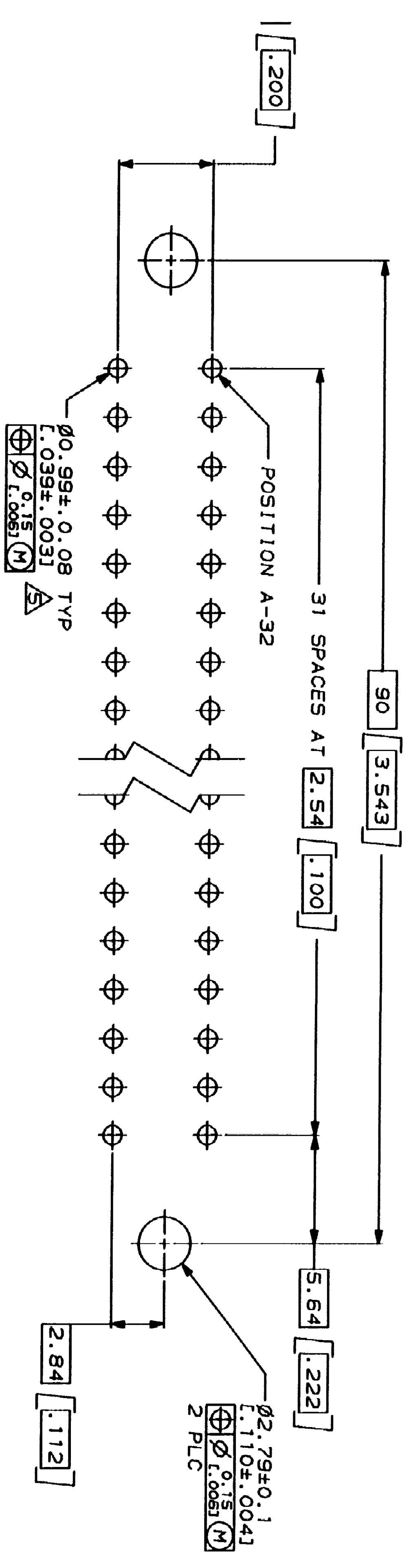
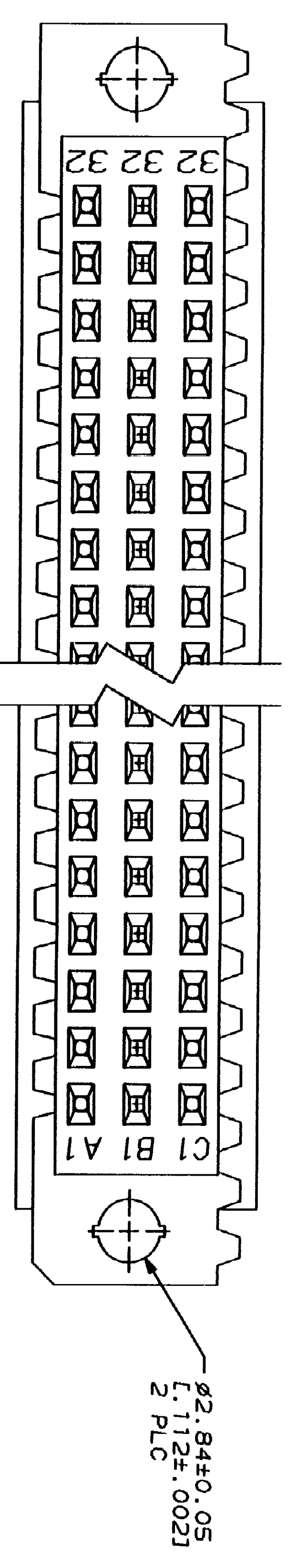
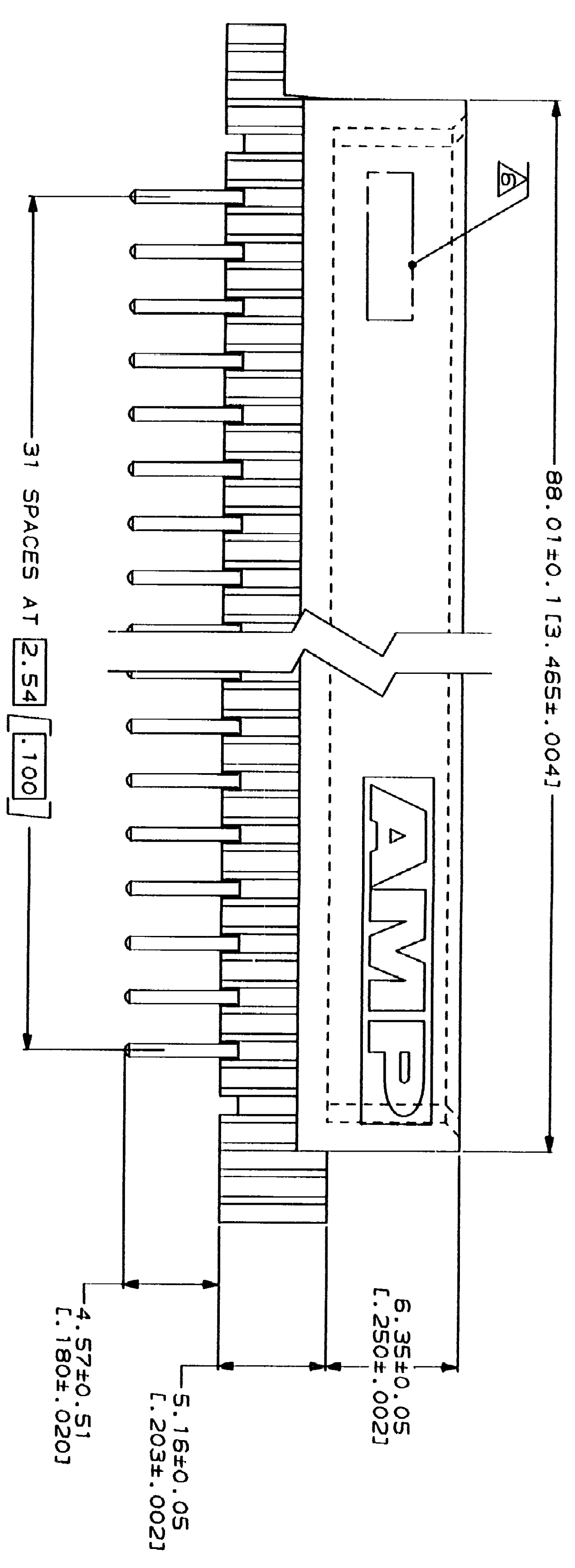
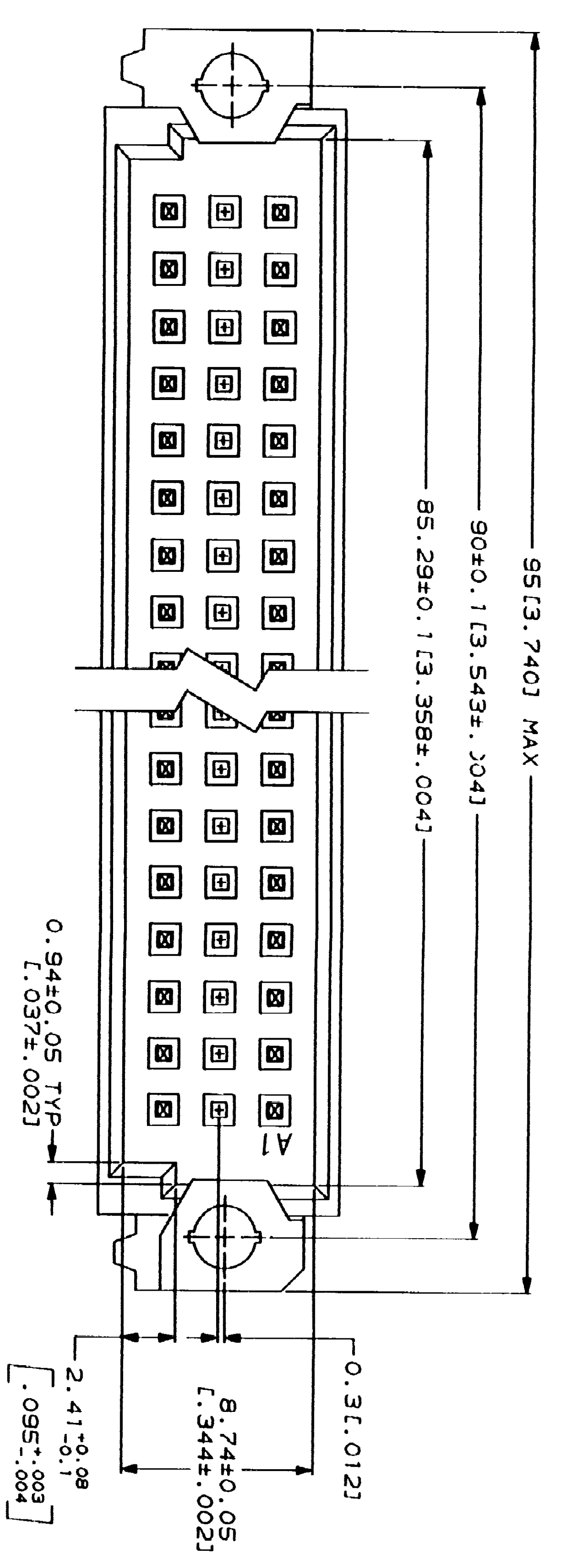
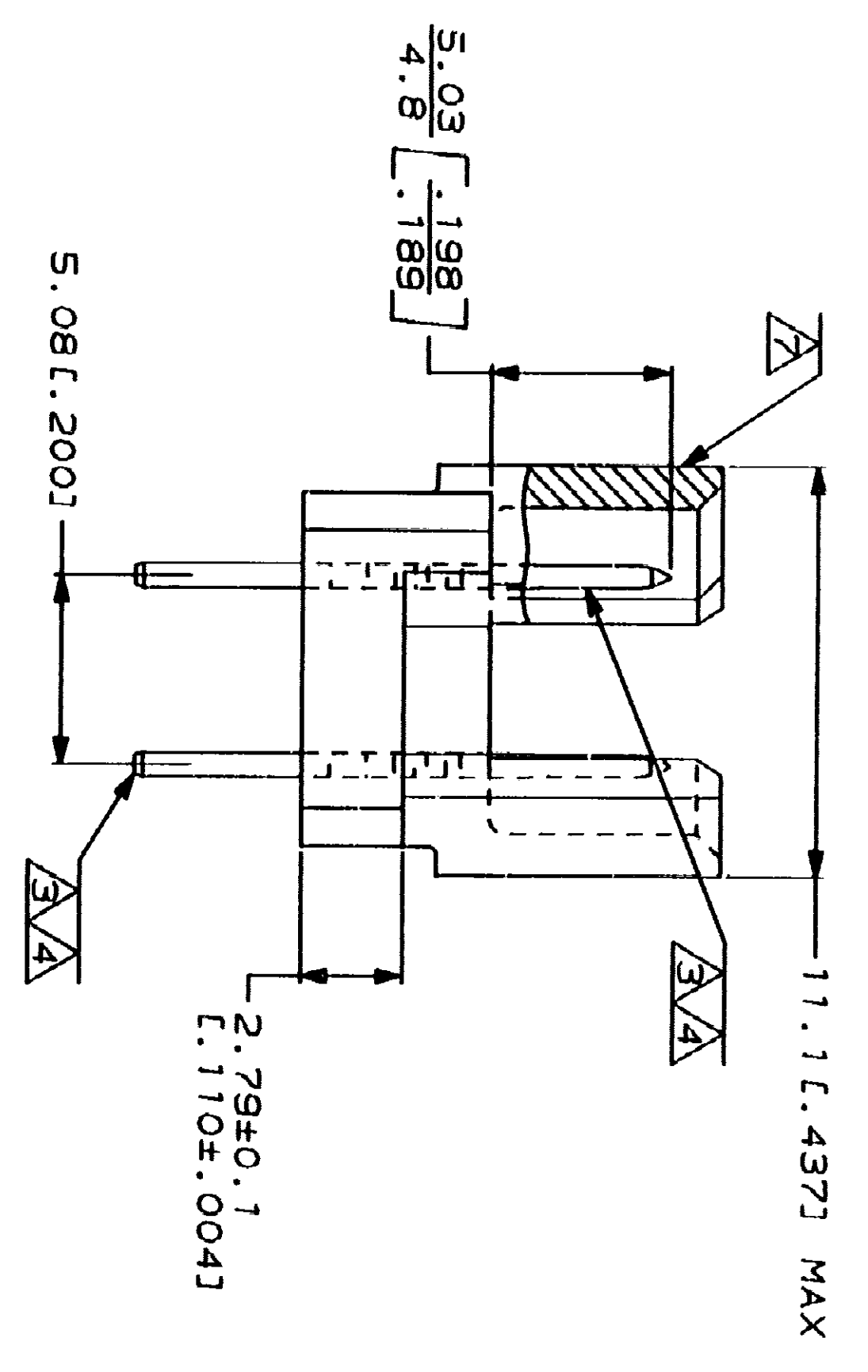


DATE	APPD
11/14/91	LSB
12/26/91	LSB
6/2/92	LSB
11/6/93	LSB
9/26/94	LSB



LOC	DATE	REV	ZONE	LR	REVISIONS
AD	25				550394-5
					DRAWN
					ECN A055961 A05640
					ECN A05876
					ECN A05871
					ECN A06256
					EC 0010-1559-93
					EC 0010-0438-94

- △ HOUSING MATERIAL: GLASS-FILLED POLYESTER. COLOR: GRAY
- △ POST MATERIAL: BRASS.
- △ POST FINISH: DIN 41612 CLASS 3 IN CONTACT AREA.
- △ TIN-LEAD PLATE ON POSTS.
- △ POST FINISH: DIN 41612 CLASS 2 IN CONTACT AREA.
- △ TIN-LEAD PLATE ON POSTS.
- △ RECOMMENDED HOLE SIZE FOR MANUAL APPLICATION OF CONNECTOR ONTO PC BOARD.
- △ [PART NUMBER] [DATE CODE] MARKED THIS APPROXIMATE AREA.
- △ MARKING ON THIS SIDE.



SUPERSEDED BY 550394-5

REV	DATE	DESCRIPTION	BY	CHKD
1	1-32		X	-
2	1-32		X	X

NOTES: POSITIONS LOADED

ROWS LOADED	C	B	A	NO. OF POSITIONS	ASST
				64	

DR	DATE	NAME
L. BRINER	3/18/91	AMP
C.K. RUBENDALL	3/26/91	AMP Incorporc
D.C. RUBENDALL	3/26/91	Harrisburg, PA
APPD	3/26/91	
K.R. PARKER	3/26/91	

DC NOT SCALE PRINT.
 DIMENSIONS GIVEN IN PARENTHESES
 TOLERANCES IN "

1 P.L.C. DEC # 0.131(003)
 2 P.L.C. DEC # 0.131(003)

HOUSING △
 POST △

FINISH △
 POST △

SIZE CASE CODE DRAWING NO
 D 00779 6501

SCALE 5:1 SHEET