



836.5 MHz / 881.5 MHz Cavity Duplexer

Part Number: AD836-881D430

ANATECH ELECTRONICS INC
RF & Microwave Filters & Products

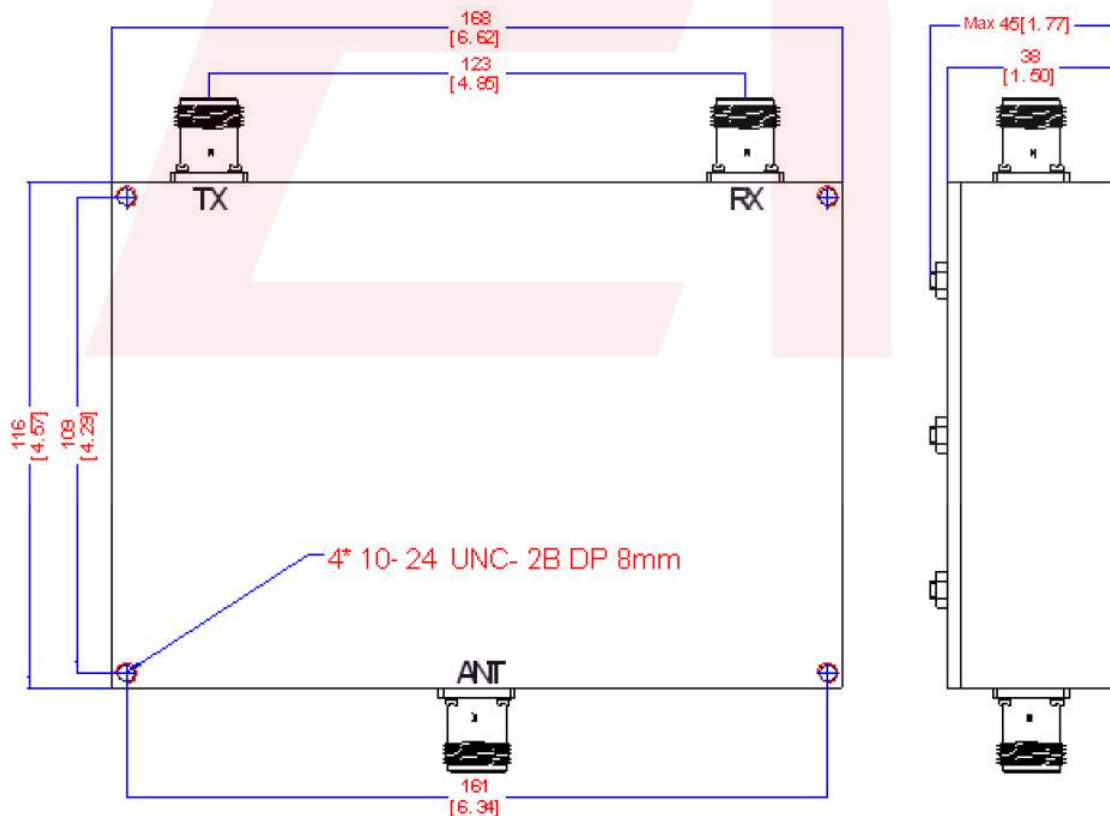


Characteristics	Band 1	Band 2
Passband:	824-849 MHz	869-894 MHz
Bandwidth:	25 MHz	25 MHz
Passband Return Loss:	≥18 dB	≥18 dB
Passband Insertion Loss:	≤1.0 dB	≤1.0 dB
Input / Output Impedance:	50 Ohms	50 Ohms
Rejection:	≥70 dB @ 869-894MHz	≥70 dB @ 824-849 MHz
Isolation:	≥70 dB	≥70 dB
Power Handling:	80W (Avg.) 1KW (Peak)	80W (Avg.) 1KW (Peak)
IM3 at Duplexed Port in Rx Band:	≥135dBc(2*+43dB m)	≥135dBc(2*+43dB m)

Mechanical	
Mounting Method:	Threaded Mounting Holes
Connector Type:	N-Type (F)
Dimensions:	6.62 x 4.57 x 1.5 inches

Environmental	
Operating Temperature:	-40 to +65 deg.C
Storage Temperature:	-50 to +90 deg.C
Shock:	20 G. 11ms
Vibration:	20 G. 5 to 200 Hz

Outline Drawing:



DS-D430-08202015-Rev0