

| MATERIAL NO. | ENGINEERING NO. | FINISHED LENGTH |
|--------------|-----------------|-------------------|
| 1300610256 | 104006K21M010G | 3 FT 3 IN (1.0M) |
| 1300610262 | 104006K21M080G | 26 FT 3 IN (8.0M) |
| 1300610265 | 104006K21M150G | 49 FT 2 IN (15M) |

CABLE LENGTH TOLERANCES

<.3M [1FT]: +19mm-0 [+.75in-0]

.3 - .9M [1 - 3FT]: +44.5mm-0 [+1.75in-0]

.9 - 1.8M [3 - 6FT]: +55.6mm-0 [+2.19in-0]

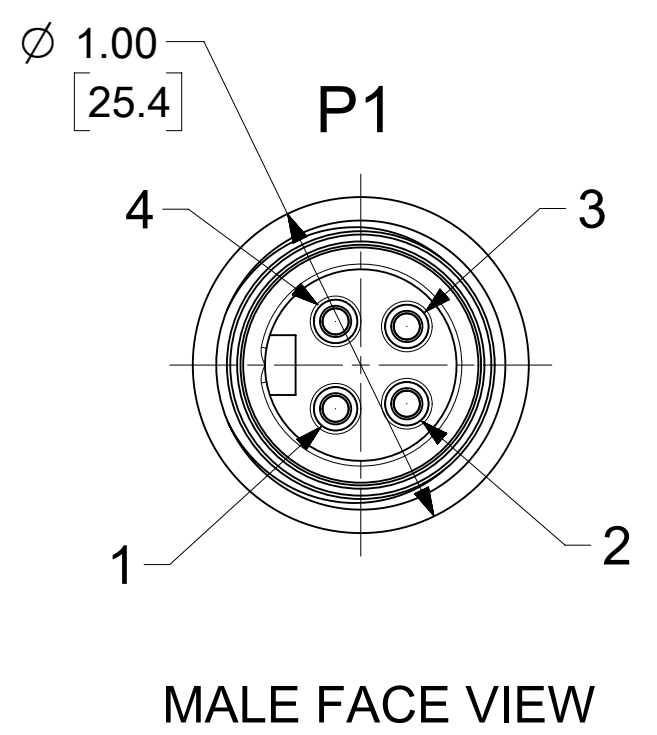
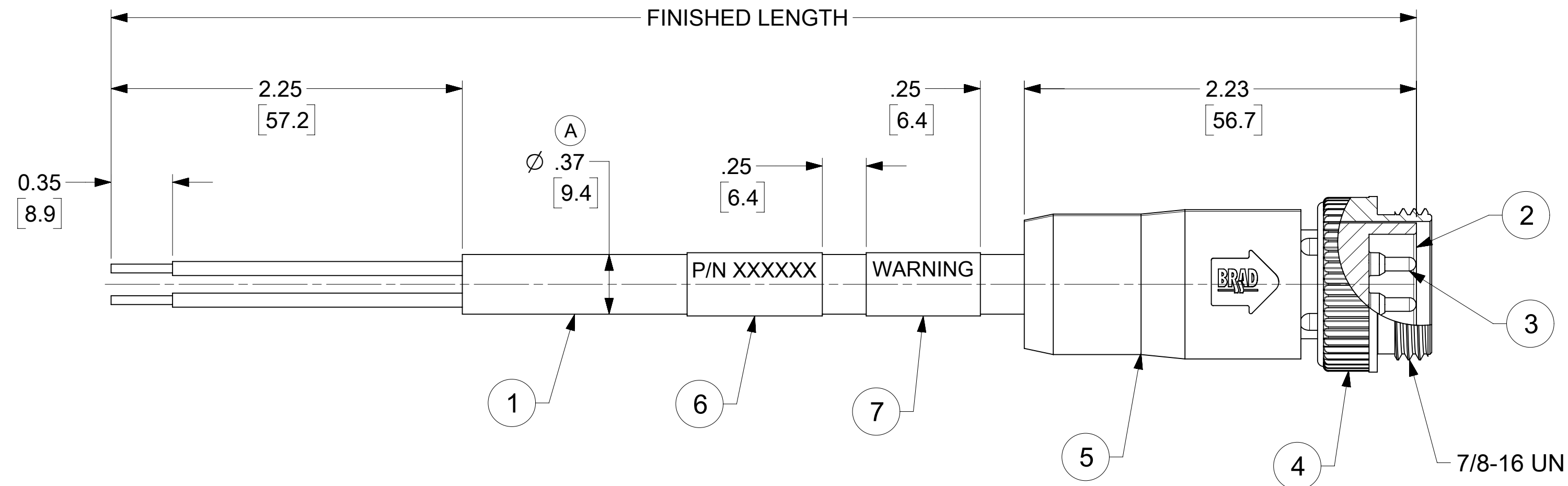
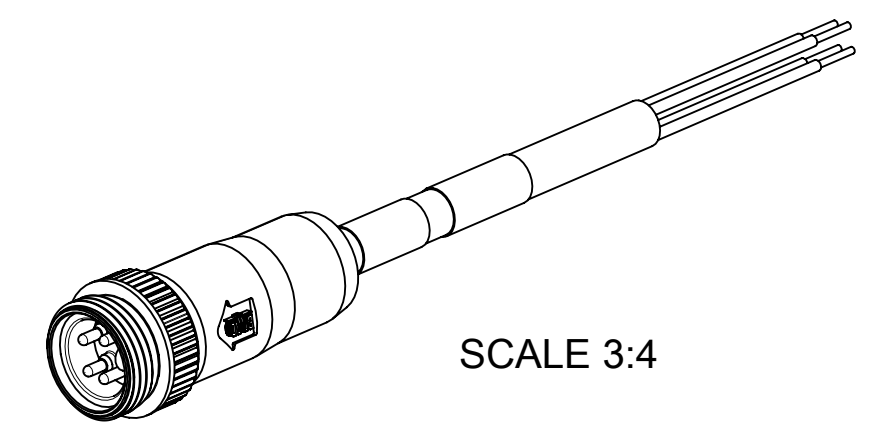
1.8 - 3.7M [6 - 12FT]: +88.9mm-0 [+3.50in-0]

3.7 - 7.3M [12 - 24FT]: +165.1mm-0 [+6.50in-0]

7.3-14.6M [24 - 48FT]: +317.5mm-0 [+12.50in-0]

14.6 - 30.5M [48-100FT]: +622.3mm-0 [+24.50in-0]

OVER 30M [100FT] +2% OF FINISHED LENGTH



- NOTES:**
- MATERIAL: AS NOTED
 - FINISH: AS NOTED
 - ELECTRICAL:
VOLTAGE: 483V PER IEC60664
600V PER UL2237
CURRENT: 15A
 - TEMP RATING: -20°C TO +90°C
 - PROTECTION: IP67 (WHEN MATED)
 - UL LISTED FILE: E258922
 - ALL DIMS ARE FOR REFERENCE UNLESS TOLERANCED OR NOTED OTHERWISE

WIRING DIAGRAM

| | P1 |
|--------------|----|
| BLACK #1 | 1 |
| BLACK #2 | 2 |
| BLACK #3 | 3 |
| GREEN/YELLOW | 4 |

PART NUMBER LEGEND

104006K21M010G

OVERMOLD OPTION
G=BLACK

FINISHED LENGTH
M001 = 0.1 METER
M010 = 1.0 METER
M100 = 10.0 METERS

| ITEM | DESCRIPTION | MATERIAL | FINISH |
|------|------------------------|---------------|------------------|
| 7 | WARNING LABEL | VINYL | ORANGE/BLACK |
| 6 | WRAP LABEL | VINYL | BLACK/YELLOW |
| 5 | OVERMOLD | TPE | BLACK |
| 4 | COUPLING NUT | ZINC DIE-CAST | BLACK E-COAT |
| 3 | PIN CONTACT | Cu ALLOY | GOLD OVER NICKEL |
| 2 | MALE INSERT | TPE | BLACK |
| 1 | CABLE, #14-4 TC-ER/MTW | TPE | BLACK |

THIS DOC SUPERSEDES SD-130061-039

| | | |
|--------------------|---|----------------------------|
| FUNCTIONAL SYMBOLS | THIS DRAWING CONTAINS INFORMATION THAT IS PROPRIETARY TO MOLEX ELECTRONIC TECHNOLOGIES, LLC AND SHOULD NOT BE USED WITHOUT WRITTEN PERMISSION | |
| $F_A = 0$ | DIMENSION UNITS | SCALE |
| $F_C = 0$ | INCH/MM | 1.3:1 |
| $F_D = 0$ | CURRENT REV DESC: UPDATED ITEM # 2&5 WERE PVC, MATERIAL & TOLERANCE TABLE & ADDED CABLE DIA. | |
| DIVISIONAL SYMBOLS | GENERAL TOLERANCES (UNLESS SPECIFIED) | |
| | MM | INCH |
| | 4 PLACES ± | ± |
| | 3 PLACES ± | ± |
| | 2 PLACES ± | ± |
| | 1 PLACE ± | ± |
| | 0 PLACES ± | ± |
| | ANGULAR TOL | ± ° |
| | DRAFT WHERE APPLICABLE MUST REMAIN WITHIN DIMENSIONS | |
| | THIRD ANGLE PROJECTION | DRAWING |
| | | C-SIZE |
| | SERIES | 130061 |
| | EC NO: 718076 | |
| | DRWN: VHANDI | 2020/09/21 |
| | CHK'D: RSTONE | 2022/08/18 |
| | APPR: BWOODMAN | 2022/08/22 |
| | INITIAL REVISION: | |
| | DRWN: RSTONE | 2016/07/20 |
| | APPR: BWOODMAN | 2016/08/02 |
| | PRODUCT CUSTOMER DRAWING | |
| | DOCUMENT NUMBER | DOC TYPE DOC PART REVISION |
| | 1300610256 | PSD 000 A |
| | MATERIAL NUMBER | CUSTOMER |
| | SEE TABLE | GENERAL MARKET |
| | SHEET NUMBER | |
| | 1 OF 1 | |