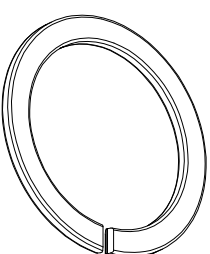
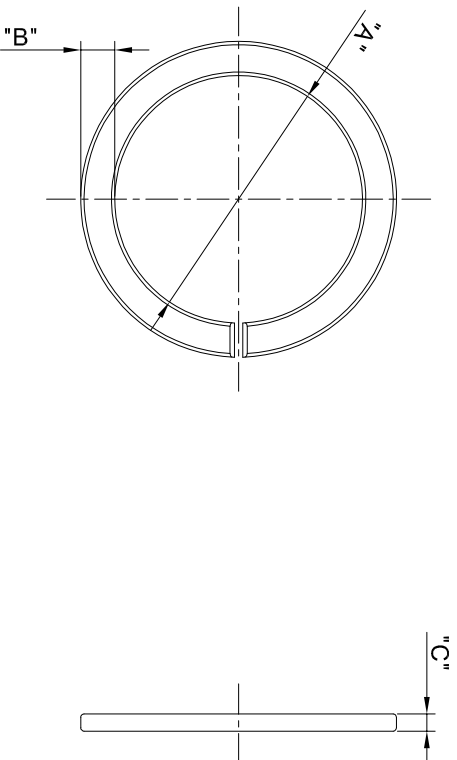


REVISIONS				
REV	ECO	DESCRIPTION	DATE	BY APPR
A1		FIRST RELEASED	Apr.05.2016	Drack Tommy
A2		UPDATE THE NOTES	Jul.20.2016	Drack Tommy
A3		ADD 16# & 18# PART	Nov.22.2017	Nick Tommy



SHELL	P/N	DIM A	DIM B	DIM C
8#	RTS8CCRX	Ø11.2	2.0	1.0
10#	RTS10CCRX	Ø14.5	2.0	1.0
12#	RTS12CCRX	Ø18.5	1.9	1.2
14#	RTS14CCRX	Ø21.7	1.9	1.8
16#	RTS16CCRX	Ø24.2	1.9	1.0
18#	RTS18CCRX	Ø27.6	1.9	1.0

"X" DENOTE COLOR:
 WHEN "X"="G", GREEN, PANTONE 348C.
 WHEN "X"="R", RED, PANTONE 194C.
 WHEN "X"="Y", YELLOW, PANTONE 123C.

NOTES : (UNLESS OTHERWISE SPECIFIED)
 1. MATERIAL : THERMOPLASTIC , UI94 V-0.

2. SPECIFICATIONS :
 2.1. OPERATING TEMPERATURE : -40°C ~ 125°C.
 2.2. ROHS COMPLIANT.

3. ALL DIMENSIONS ARE FOR REFERENCE USE ONLY.

QUANTITY	PART NUMBER	DESCRIPTION	ITEM
MATERIALS LIST			

UNLESS OTHERWISE SPECIFIED		SIGNATURES		DATE	
1) All dimensions are in millimeters.		DRAWN:	Nick	Nov.22.2017	
2) Tolerances are as follows:		CHECKED:	Tommy	Nov.22.2017	
1 Pt. DEC 20.93 Fractions 1/16"		ENGINEER:			
3 Pt. DEC 20.98 Angles 1°		APPROVAL:	Tommy	Nov.22.2017	
3) Note reference =		CUSTOMER:			
MATERIAL SPECIFICATIONS:		THIS DRAWING IS SUBJECT TO SPECIFICATIONS AND PERFORMANCE DATA OF THE AMPHENOL CORPORATION. ALL DIMENSIONS ARE TOLERANCES UNLESS OTHERWISE SPECIFIED. ALL DIMENSIONS ARE IN MILLIMETERS UNLESS OTHERWISE SPECIFIED.			
PROCESS SPECIFICATIONS:		ECO-MATE IDENTIFY RING			
NEXT ASST:		SIZE 08, 10, 12, 14, 16, 18			

SCALE: NONE		SHEET 1 OF 1	
B C-		RTSXCCRX	
A3		REVISION	

Amphenol

Sine Systems - www.amphenol-sine.com
 44724 Morley Drive
 Clinton Township, MI 48036

ECO-MATE IDENTIFY RING
 SIZE 08, 10, 12, 14, 16, 18