

2.83 ±0.25
(POWER TAILS)

1.58 MIN
(PCB THICKNESS)

14.4

ALLOW EXTRA SPACE
4.00 MM PER SIDE
(REQUIRED FOR RE-WORK PER AS-46436-100)

"A" ±0.75

8.00 TYP

18.0

SP3

SP1

molex

molex

molex

molex

molex

molex

molex

molex

"B" MIN
(KEEP-OUT ZONE)

9.32

18.50 MIN
(KEEP-OUT ZONE)

SP3

SP1

SP3

SP1

SP3

SP1

SP3

SP1

SP3

SP1

SP3

SP1

SP3

SP1

SP3

SP1

SP3

SP1

SP3

SP1

SP3

SP1

SP3

SP1

SP3

SP1

SP3

SP1

SP3

SP1

SP3

SP1

SP3

SP1

SP3

SP1

SP3

SP1

SP3

SP1

SP3

SP1

SP3

SP1

SP3

SP1

SP3

SP1

SP3

SP1

SP3

SP1

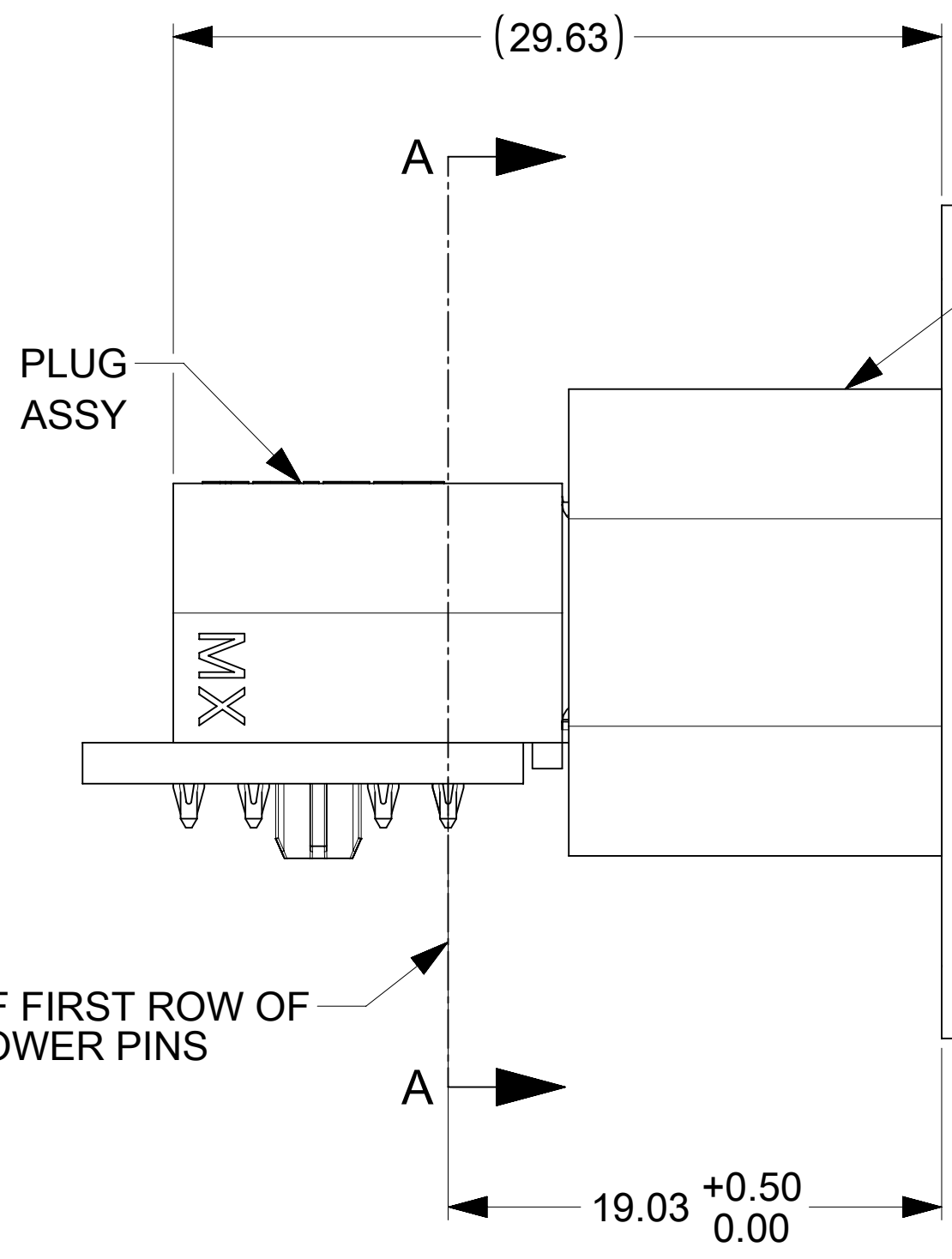
RECOMMENDED PCB LAYOUT AND KEEP-OUT ZONE FOR G-(1SP TO 3SP)-G

⊕ ∅ 0.10 A B
∅ 1.02 ±0.05 ("H1")
(SEE NOTE 3)

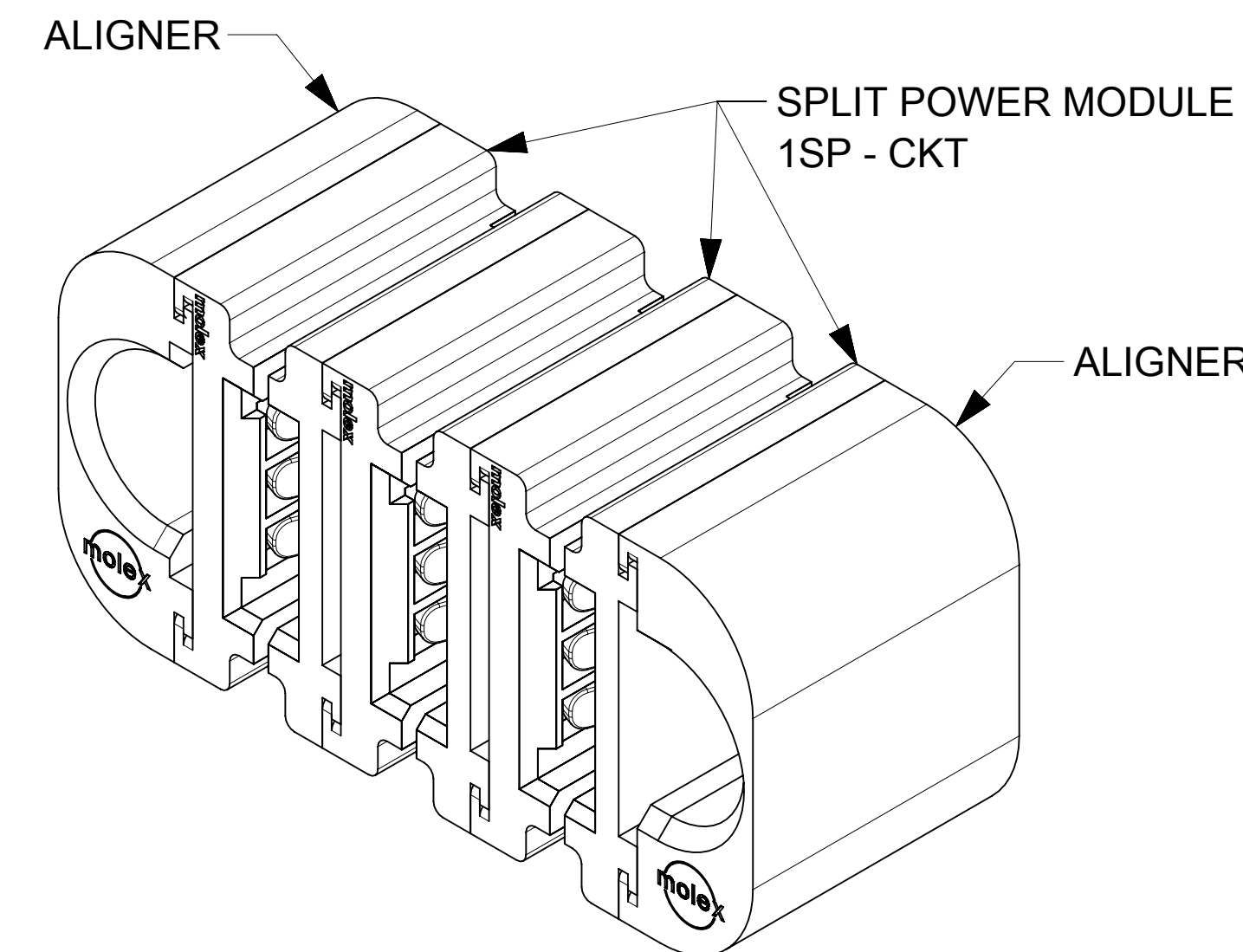
8.00

A

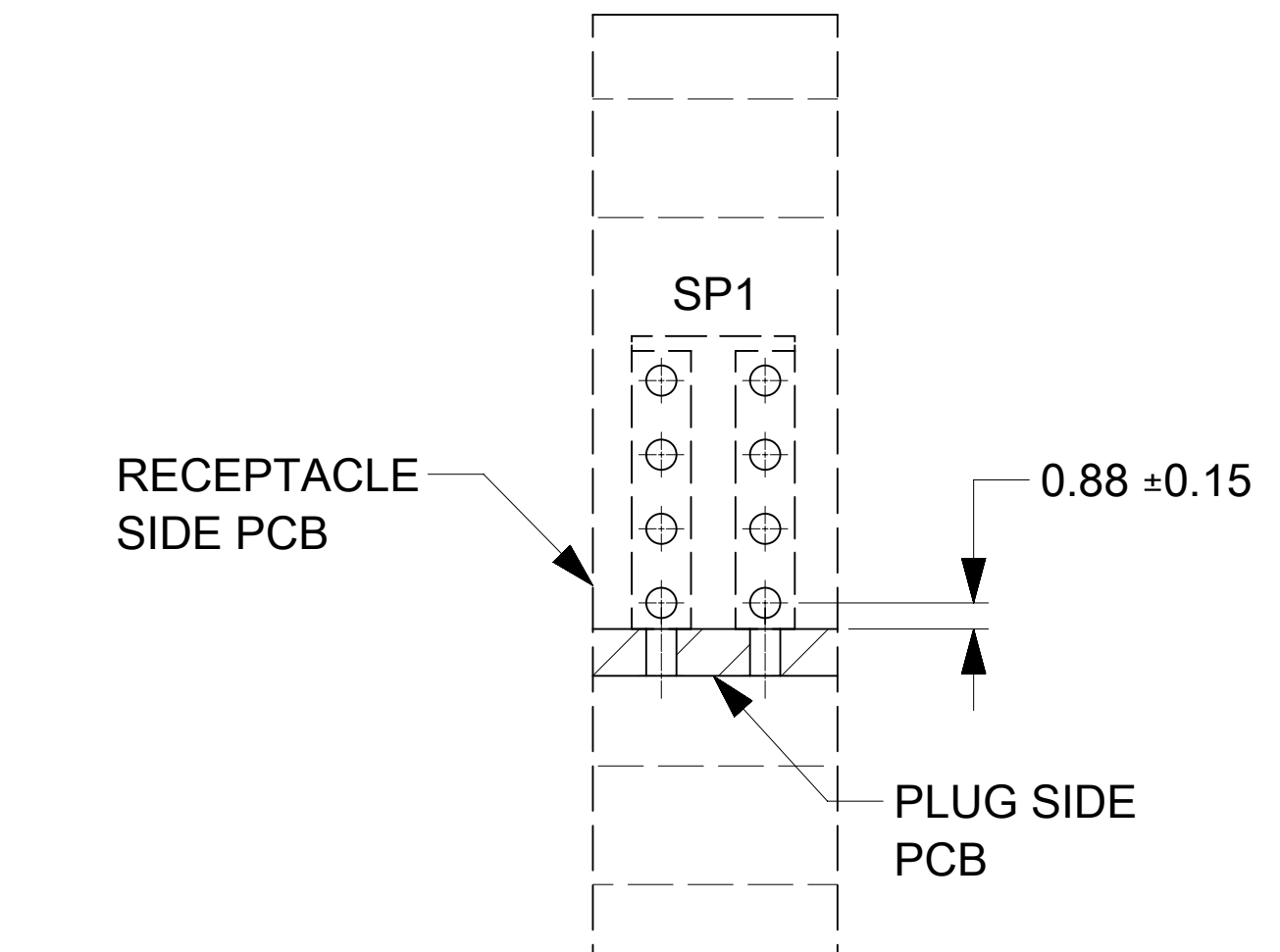
3.50



MATED PROFILE



P/N: 171089-8403 (G-3SP-G)



SECTION A-A

- NOTES:
- MATERIAL:
 - HOUSINGS: LCP UL94, V-0, COLOR : BLACK
 - TERMINALS: HIGH CONDUCTIVITY COPPER ALLOY
 - PLATING: 1.27 MICROMETER (50 MICROINCH) NICKEL OVERALL WITH 2.54 MICROMETER (100 MICROINCH) SELECTIVE TIN ON TAILS AND 0.762 MICROMETER (30 MICROINCH) SELECTIVE GOLD ON CONTACT AREA
 - PACKAGING: ASSEMBLIES TO BE TRAY PACKED PER PACKAGING SPEC: 1710891001-PK
 - PLATED THRU HOLE SIZE, REFER TO PS-171088-0000 FOR DETAILS
 - PRODUCT SPEC: PS-171088-0000
 - PRODUCT TO MEET RoHS REQUIREMENTS
 - ASSEMBLY MATES TO MOLEX PLUG ASSEMBLY P/N 171088-**** (SEE TABLE IN SHEET 2).
 - TAIL DESIGN: COMPLIANT PINS
 - POWER CONTACTS ARE LUBRICATED.
 - APPLICATION SPEC: AS-46436-100.
 - MOLEX LOGO TO BE LOCATED APPROXIMATELY AS SHOWN.

THIS DRAWING CONTAINS INFORMATION THAT IS PROPRIETARY TO MOLEX ELECTRONIC TECHNOLOGIES, LLC AND SHOULD NOT BE USED WITHOUT WRITTEN PERMISSION									
DIMENSION UNITS	SCALE	CURRENT REV DESC: REMOVED P/N 8404 TO 8410							
mm	4:1								
GENERAL TOLERANCES (UNLESS SPECIFIED)									
ANGULAR TOL	± 0.5°								
4 PLACES	±	EC NO: 707711							
3 PLACES	±	DRWN: KSUTAR 2022/05/19							
2 PLACES	± 0.13	CHK'D: GJEEVANSURES 2022/05/23							
1 PLACE	± 0.25	APPR: HTHYAGARAJ 2022/06/08							
0 PLACES	±	INITIAL REVISION:							
DRAFT WHERE APPLICABLE MUST REMAIN WITHIN DIMENSIONS		THIRD ANGLE PROJECTION		DRAWING		SERIES		MATERIAL NUMBER	
		D-SIZE		171089		SEE TABLE		CUSTOMER	
				GENERAL MARKET		SHEET NUMBER		1 OF 2	

molex

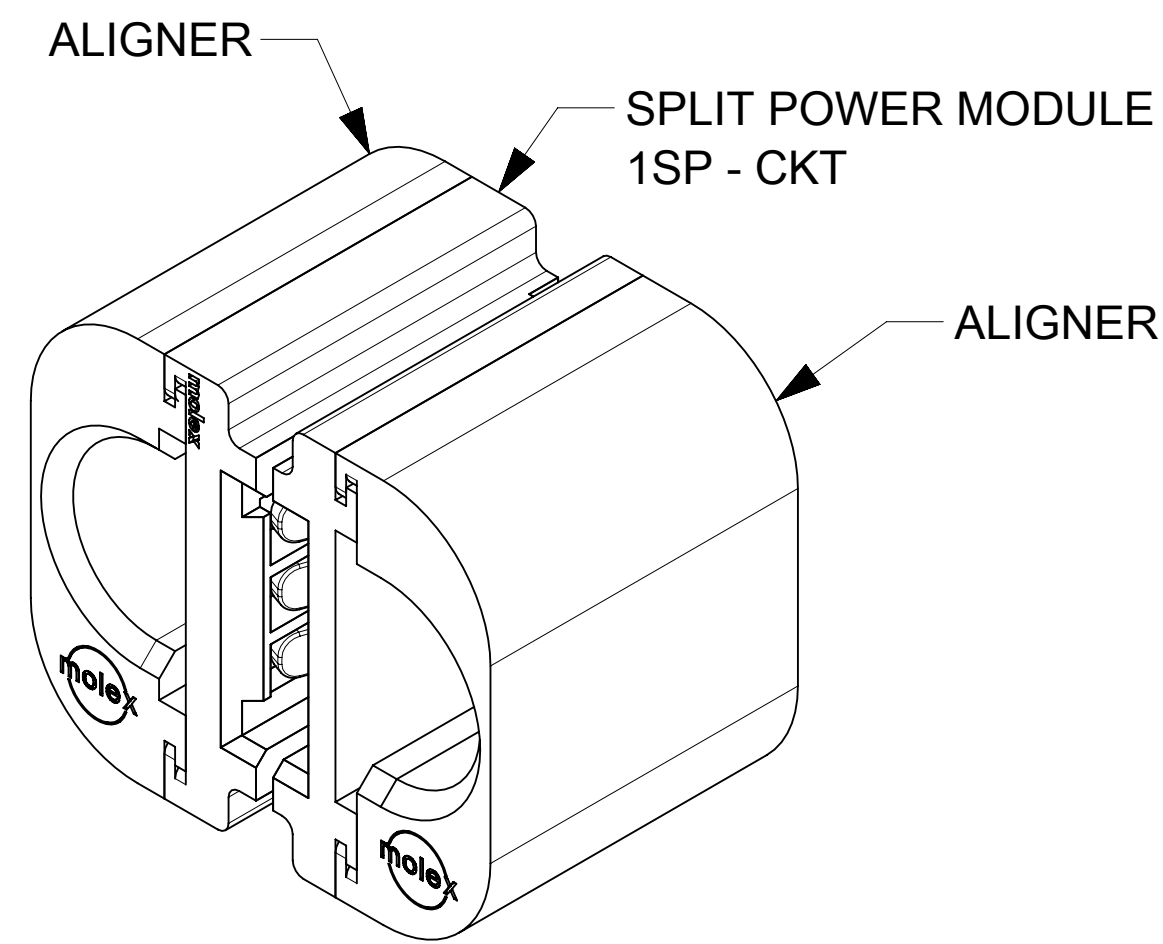
G-SP-G
VERT RECEPTACLE ASSY - TEN60 SPLIT POWER

PRODUCT CUSTOMER DRAWING

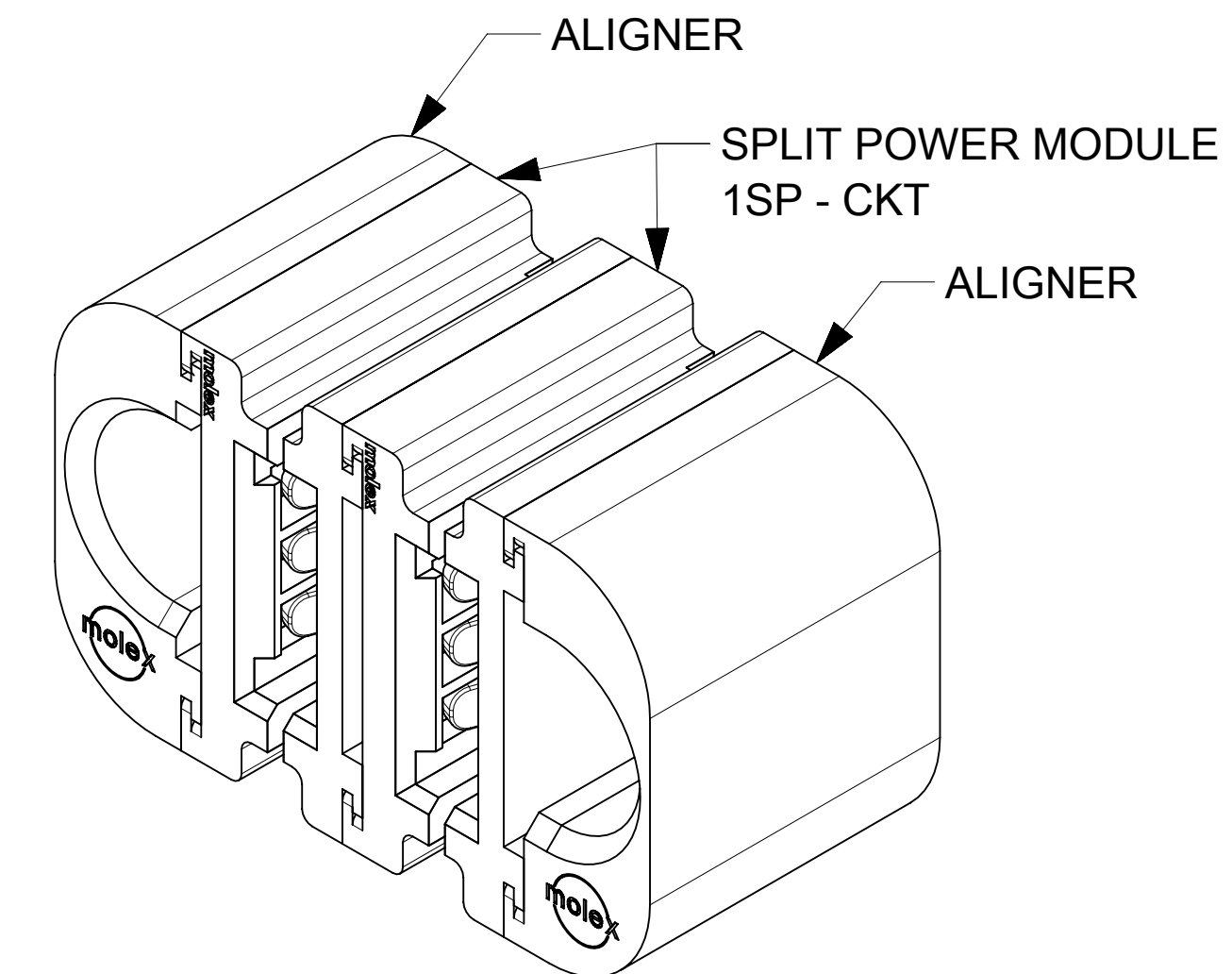
DOCUMENT NUMBER: 1710898410, DOC TYPE: PSD, DOC PART: 000, REVISION: A2

REFER TO BELOW TABLE FOR DIMENSIONS.

FG P/N	CONFIGURATION	POWER CKT SIZE	DIM "A" (IN MM)	DIM "B" (IN MM)	HOLES COUNT "H1"	MATES WITH R/A PLUG ASSY P/N
1710898401	G-1SP-G	1	21.50	22.50	08	1710888401
1710898402	G-2SP-G	2	29.50	30.50	16	1710888402
1710898403	G-3SP-G	3	37.50	38.50	24	1710888403



P/N: 171089-8401 (G-1SP-G)



P/N: 171089-8402 (G-2SP-G)

THIS DRAWING CONTAINS INFORMATION THAT IS PROPRIETARY TO MOLEX ELECTRONIC TECHNOLOGIES, LLC AND SHOULD NOT BE USED WITHOUT WRITTEN PERMISSION									
DIMENSION UNITS	SCALE	CURRENT REV DESC: REMOVED P/N 8404 TO 8410							
mm	4:1	<div style="text-align: center;"> <p>G-*SP-G VERT RECEPTACLE ASSY - TEN60 SPLIT POWER</p> <p>PRODUCT CUSTOMER DRAWING</p> </div>							
GENERAL TOLERANCES (UNLESS SPECIFIED)									
ANGULAR TOL	± 0.5°								
4 PLACES	±								
3 PLACES	±								
2 PLACES	± 0.13								
1 PLACE	± 0.25	EC NO: 707711	2022/05/19						
0 PLACES	±	DRWN: KSUTAR	2022/05/23						
DRAFT WHERE APPLICABLE MUST REMAIN WITHIN DIMENSIONS		APPR: HTHYAGARAJ	2022/06/08						
THIRD ANGLE PROJECTION		INITIAL REVISION:	2021/09/28						
DRAWING		DRWN: KSUTAR	2021/11/08						
SERIES		APPR: HTHYAGARAJ	2021/11/08						
D-SIZE		171089	SEE TABLE						
MATERIAL NUMBER		CUSTOMER		SHEET NUMBER					
1710898410		GENERAL MARKET		2 OF 2					