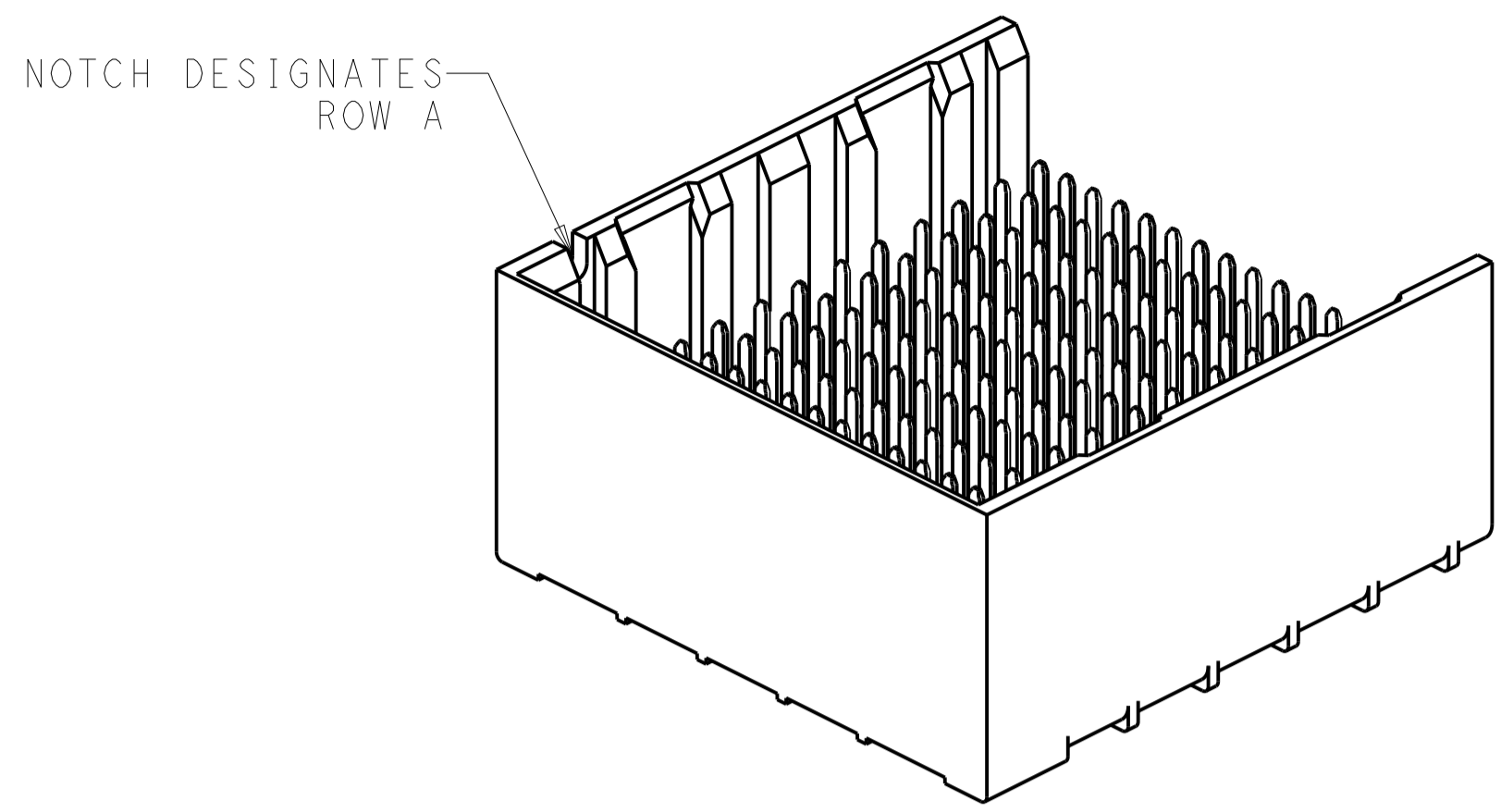
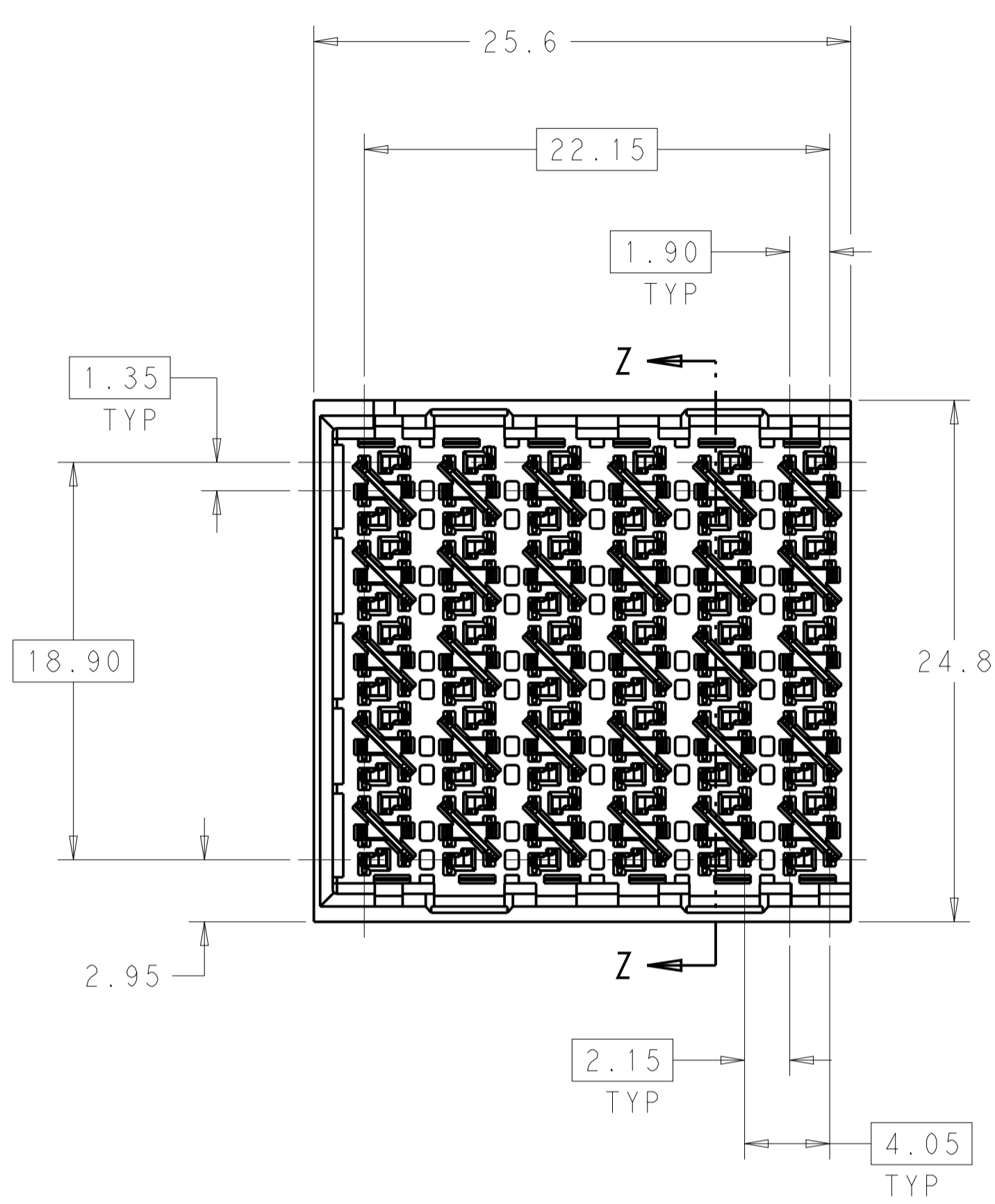
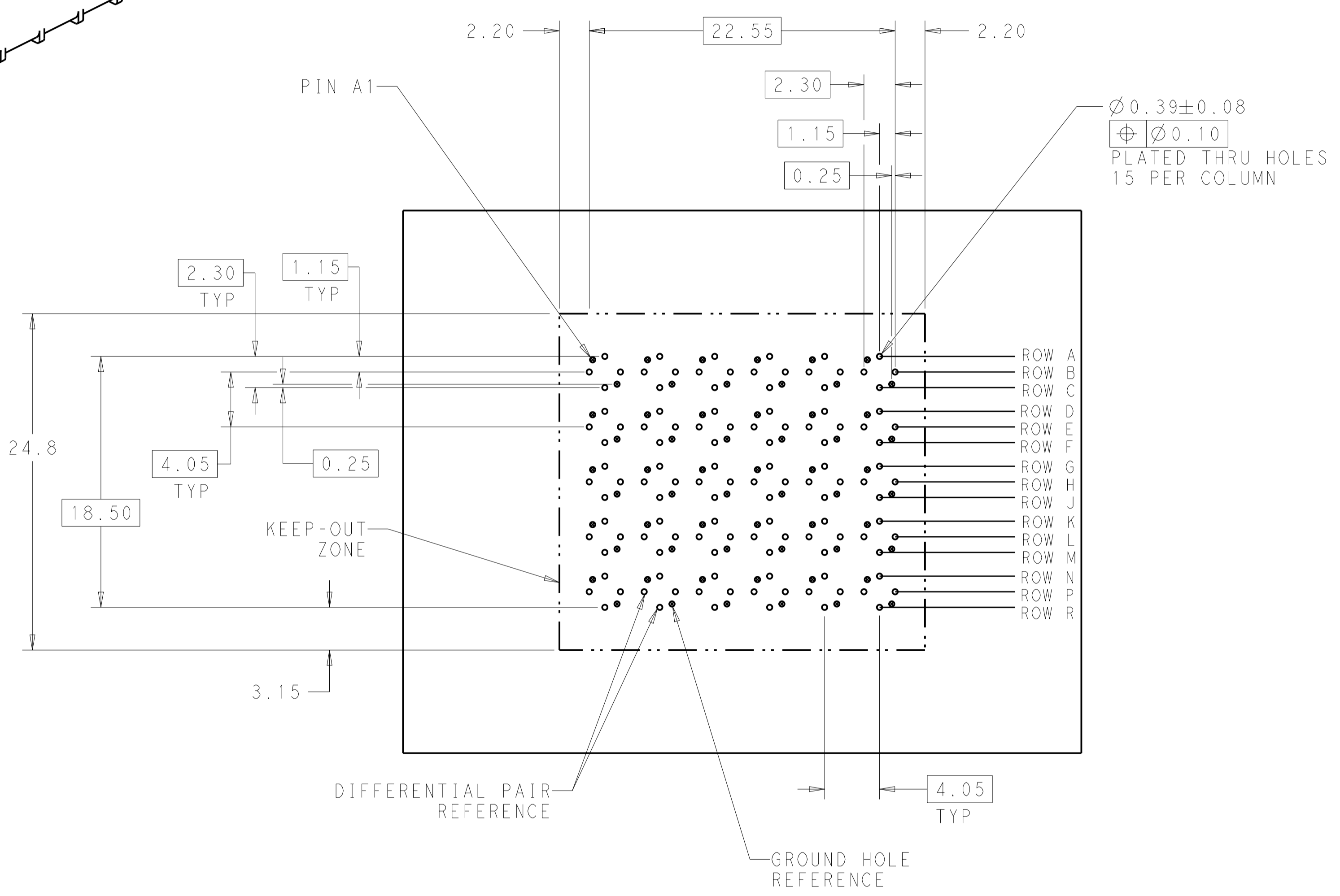


REVISIONS				
P.	LTN	DESCRIPTION	DATE	DWN APVD
B		REVISED PER ECO-14-013272	09SEP2014	AP DD

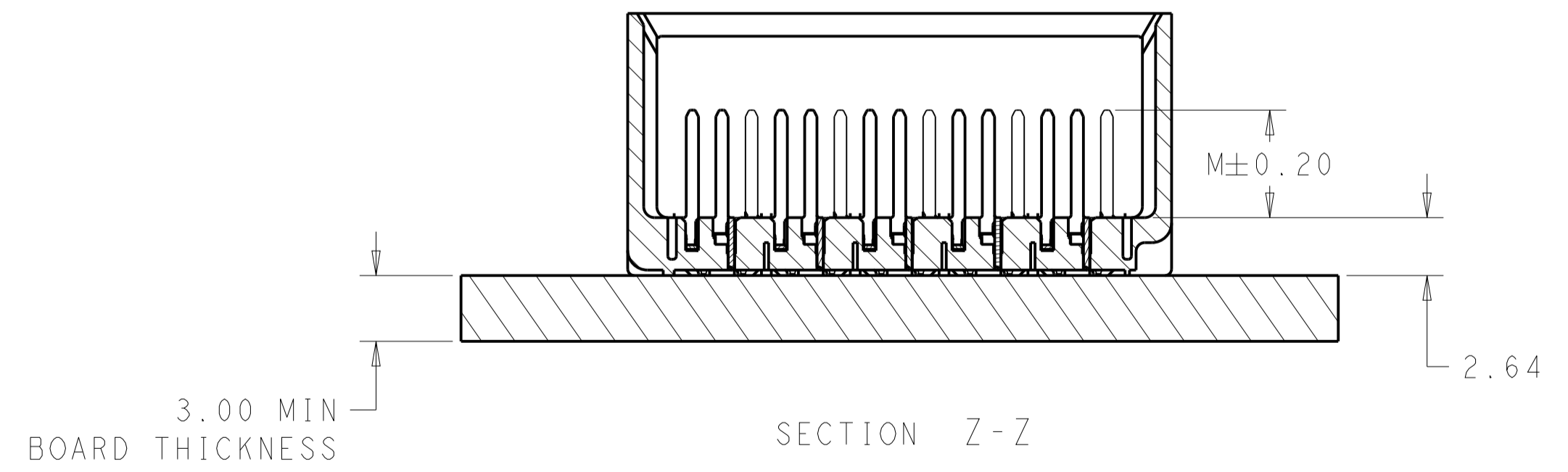
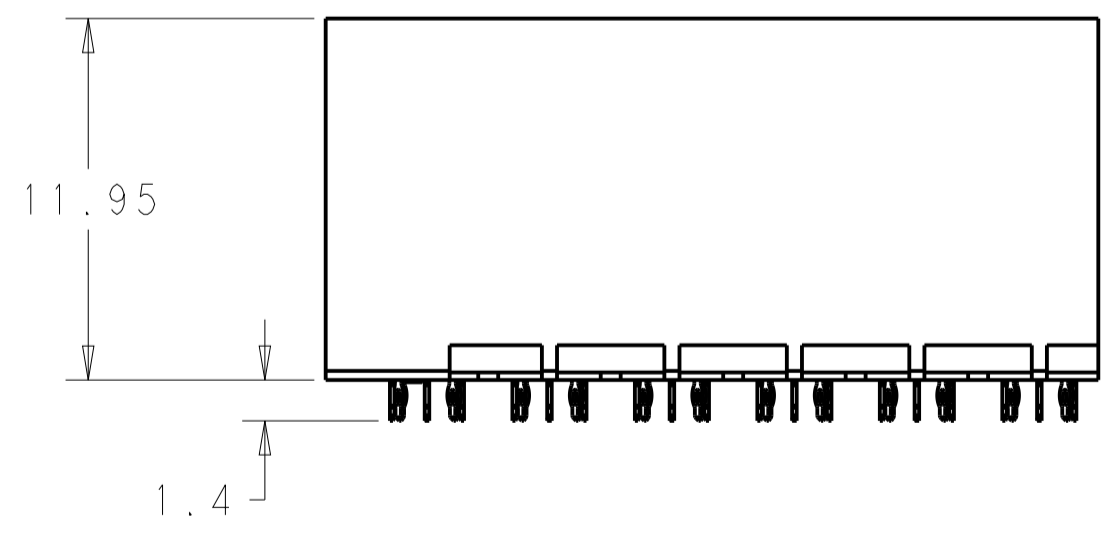


1 MATERIAL:  
 HOUSING: LCP GLASS FILLED UL94V-0  
 TERMINALS: HIGH PERFORMANCE COPPER ALLOY

2 FINISH:  
 30μ" MIN GOLD IN CONTACT AREA  
 SELECTIVE TIN ON PCB TAILS.  
 NICKEL OVERALL.



LEFT GUIDED  
 BACKPLANE HOLE PATTERN  
 (CONNECTOR SIDE)  
 SCALE 4:1



2	5.5	2143629-2
2	4.9	2143629-1
FINISH	DIM M	PART NUMBER

THIS DRAWING IS A CONTROLLED DOCUMENT.		DWN J. K. SHOBER 18AUG2010	TE Connectivity
DIMENSIONS: mm		CHK J. EARY 18AUG2010	
TOLERANCES UNLESS OTHERWISE SPECIFIED:		APVD J. EARY 18AUG2010	
0 PLC ± 1 PLC ±0.25 2 PLC ±0.13 3 PLC ± 4 PLC ± ANGLES ±0		NAME	
MATERIAL	SEE TABLE	PRODUCT SPEC	IMPACT, 5 PAIR, 12 COLUMN, UNGUIDED LEFT END WALL ASSEMBLY, ORTHOGONAL, 0.39 PTH
FINISH	SEE TABLE	APPLICATION SPEC	SIZE CAGE CODE DRAWING NO RESTRICTED TO
Customer Drawing		WEIGHT	A100779C=2143629
SCALE 4:1		SHEET 1 OF 1	REV B