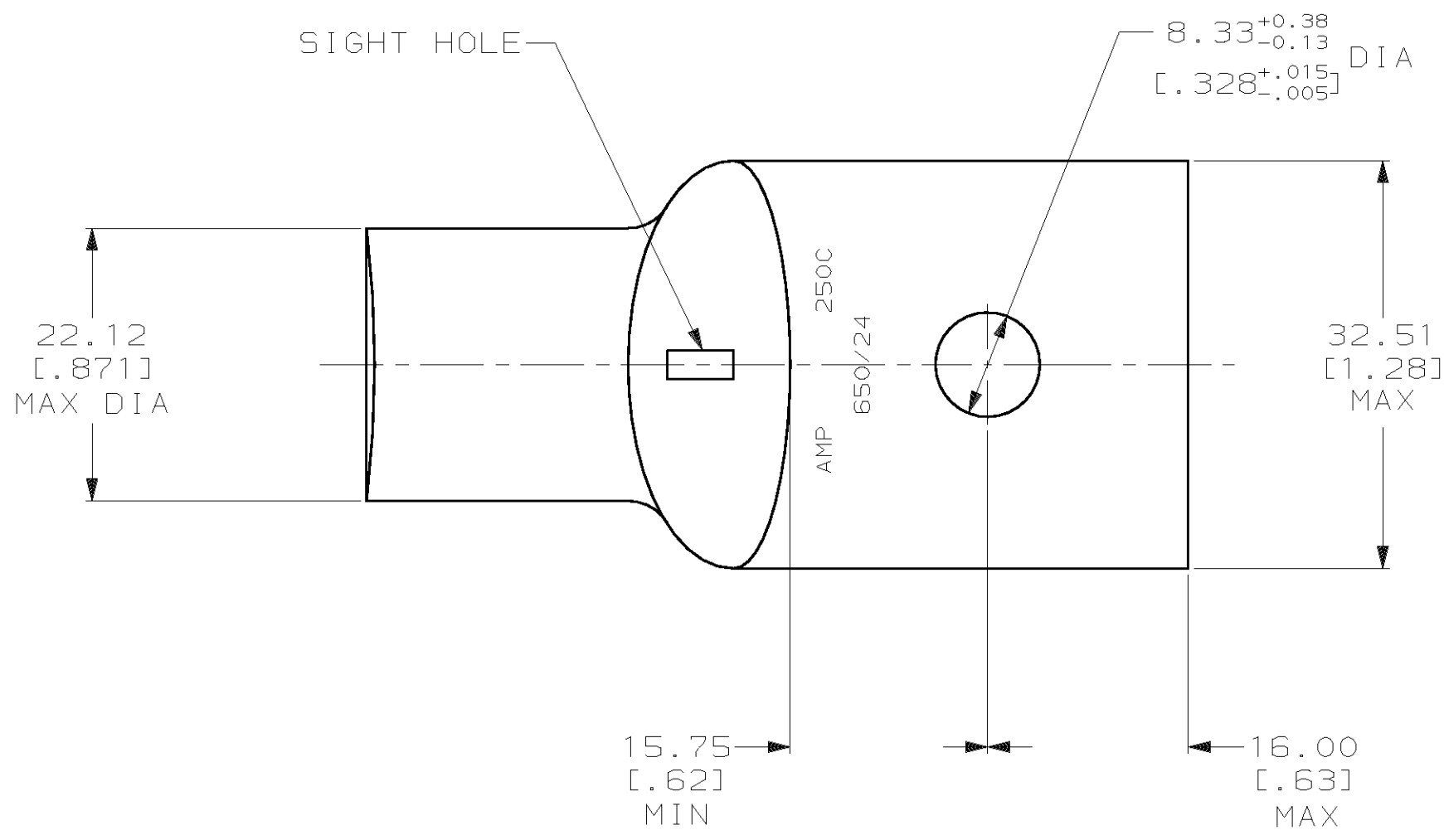
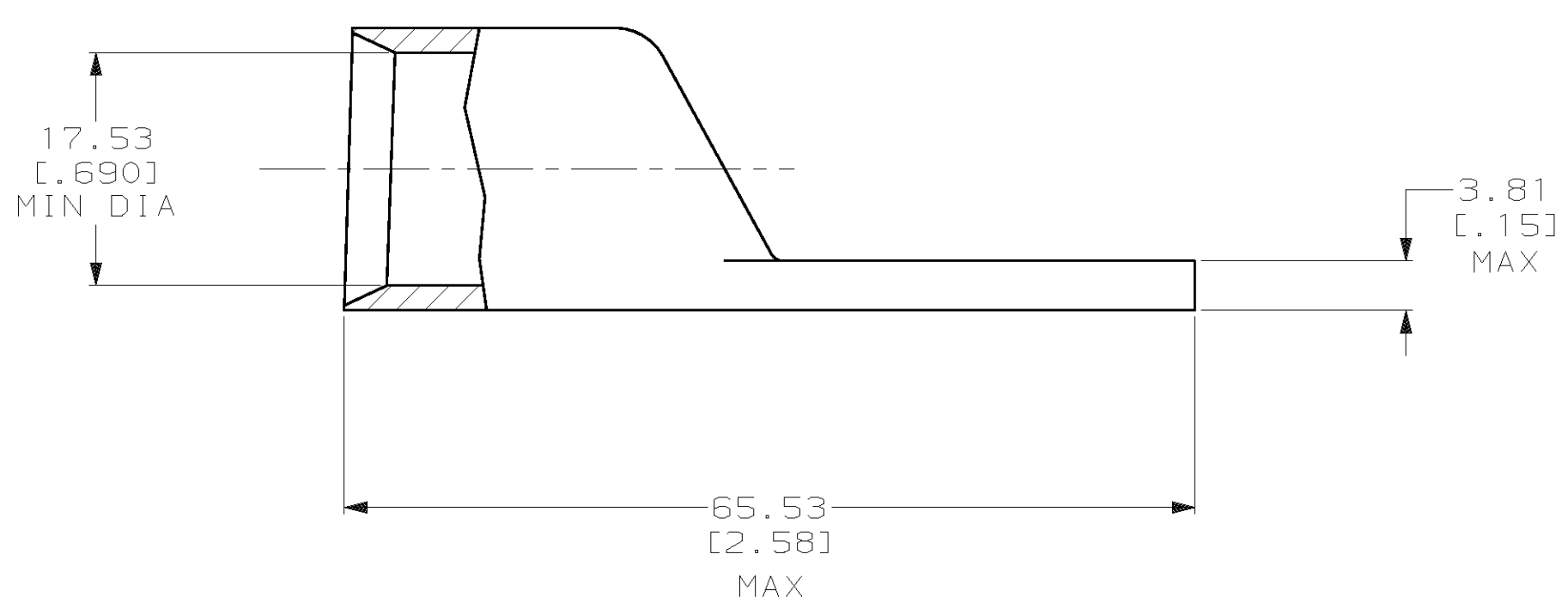


THIS DRAWING IS UNPUBLISHED. RELEASED FOR PUBLICATION
 © COPYRIGHT 19 BY AMP INCORPORATED. ALL INTERNATIONAL RIGHTS RESERVED.

LOC		DIST		P		F		ZONE		LTR		REVISIONS		DATE	APPD
G		86								N		REV PER 063A-0561-01		08OCT02	JR/M5



1 CIRCULAR MIL AREA RANGE: 231-275 MCM
 2 TIN PL 0.00381 [.000150] MIN THK PER MIL-T-10727



METRIC

DO NOT SCALE PRINT. UNLESS SPECIFIED DIMENSIONS IN mm [INCHES] TOLERANCES ON : 2 PLC DEC ± 0.51 [.020] 3 PLC DEC ± - ANGLES ± -		DR 03/16/90 DK SCHRUM		325702	
MATERIAL ANNEALED COPPER ASTM B-75		CHK 19JAN95 MS FEHER		PART NO	
FINISH 2		APPD 19JAN95 WJ VOCKROTH		AMP INCORPORATED Harrisburg, Pa. 17105	
APPLICATION SPEC -		APPD 19JAN95 TL SHUTTER		NAME	
WEIGHT .128 LB		PRODUCT SPEC 108-30200		TERMINAL, AMPPOWER, WIRE SIZE: 250 MCM	
SCALE 2:1		APPLICATION SPEC -		DRAWING NO 325702	
CAGE CODE 00779		WEIGHT .128 LB		SHEET 1 OF 1	