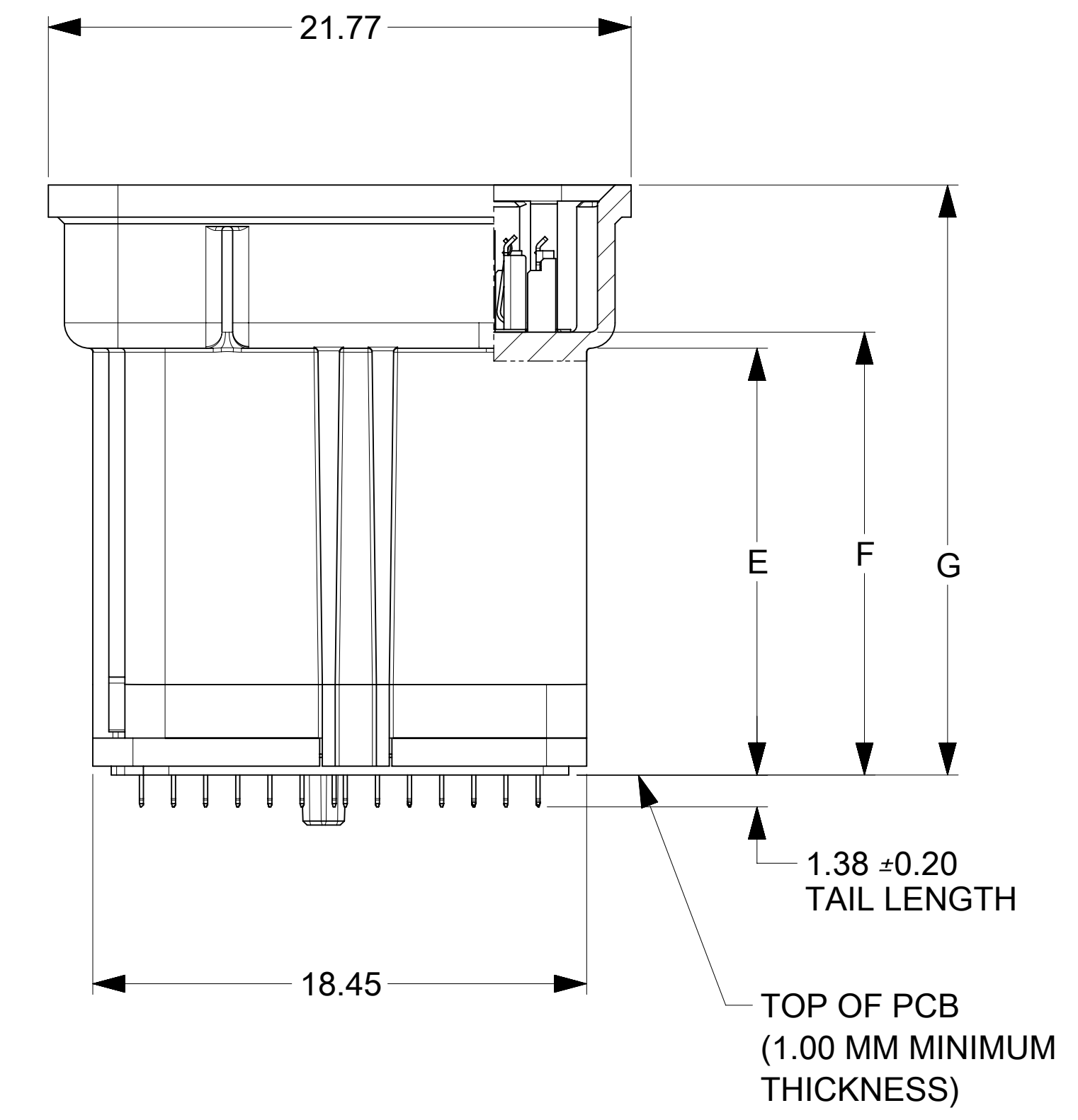
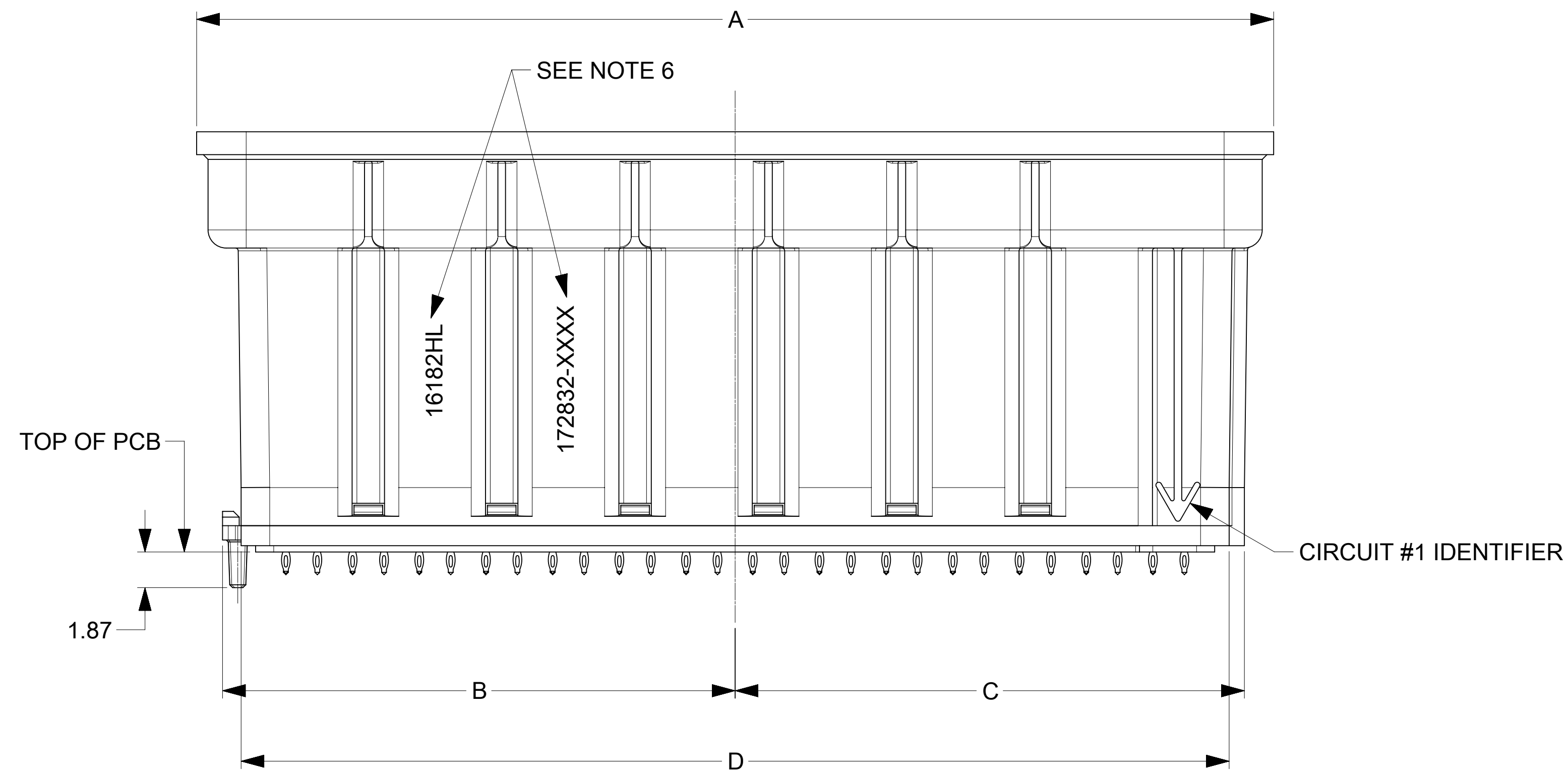
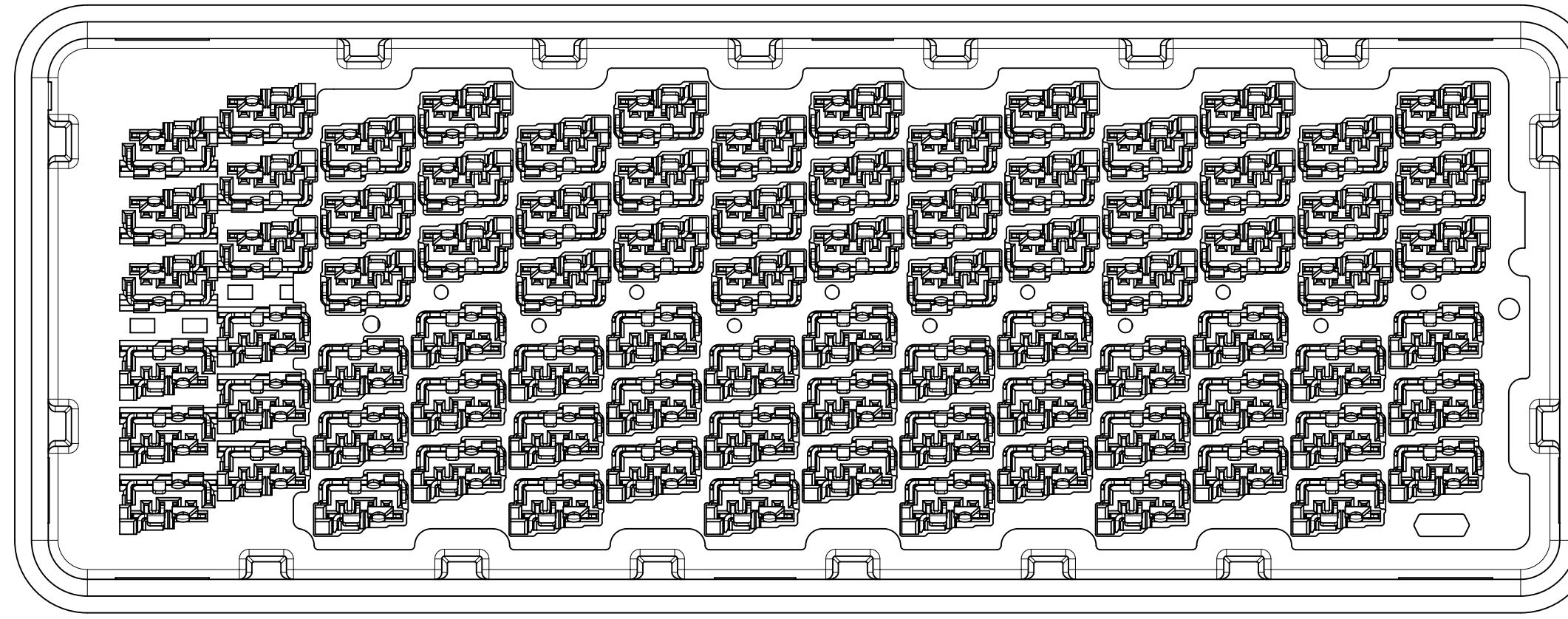


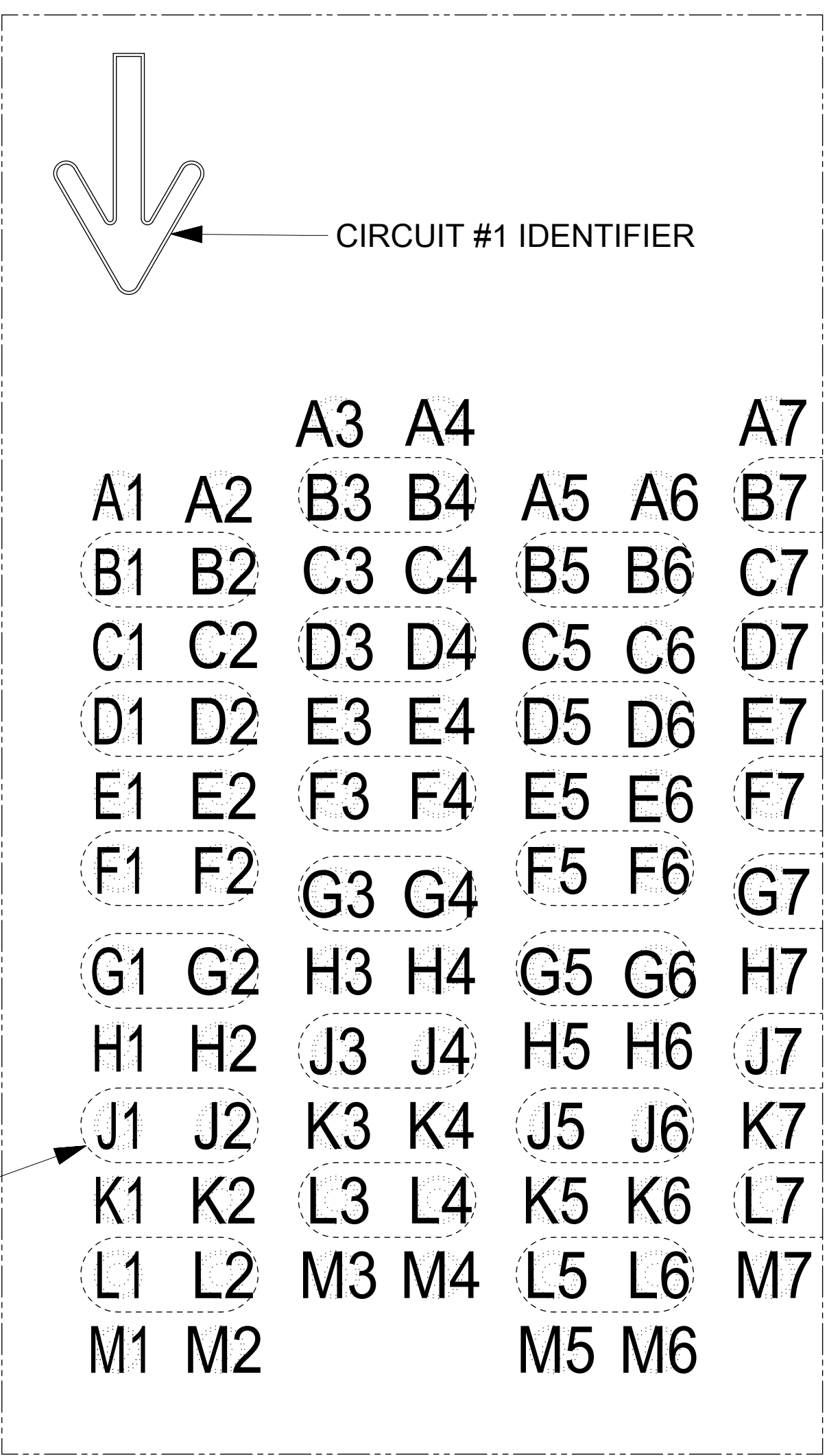
172832-0009 RECEPTACLE ASSEMBLY SHOWN

- NOTES:
- HOUSING MATERIAL: LCP, GLASS FILLED, UL 94V-0, BLACK
CONTACT MATERIAL: HIGH PERFORMANCE COPPER ALLOY
 - FINISH:
CONTACTS: SELECTIVE GOLD: 30 MICRO INCHES MINIMUM ON CONTACT AREA
SELECTIVE TIN ON COMPLIANT PIN OVER 50 MICRO INCHES MINIMUM
NICKEL OVERALL
 - PRODUCT SPECIFICATION: PS-172801-0001
 - PACKAGING SPECIFICATION: PK-173358-0001
 - APPLICATION SPECIFICATION: AS-172801-0001
 - PARTS TO BE MARKED WITH THE PART NUMBER AND DATE CODE.
FORMAT IS 2 DIGIT YEAR, 3 DIGIT DAY, 1 DIGIT HOUR (IF NEEDED), AND
ONE DIGIT ASSEMBLY LINE (IF NEEDED) BY MARKING THE HOUSING AS SHOWN.
 - THIS PART CONFORMS TO CLASS B REQUIREMENTS OF
MOLEX COSMETIC SPEC. PS-45499-002



MATERIAL NUMBER	HEIGHT	NO. OF COLUMNS	DIM A	DIM B	DIM C	DIM D	DIM E	DIM F	DIM G	LOCATING PEG	TOOLED	MATES TO
1728320001	13.5	14	56.52	26.90	26.73	51.85	10.95	11.55	17.05	NO	YES	1728010001
1728320005	18.5	10	42.52	19.90	19.73	37.85	15.95	16.55	22.05	PRESENT	YES	1728010005 & 1728010006
1728320009	18.5	14	56.52	26.90	26.73	51.85	15.95	16.55	22.05	PRESENT	YES	1728010009
1728320013	18.5	16	63.52	30.40	30.23	58.85	15.95	16.55	22.05	PRESENT	YES	1728010013
1728320017	13.5	8	35.52	16.40	16.23	30.85	10.95	11.55	17.05	NO	NO	1728010017
1728320018	18.5	12	49.52	23.40	23.23	44.85	15.95	16.55	22.05	PRESENT	NO	1728010018 & 1733630009
1728320019	14.5	12	49.52	23.40	23.23	44.85	11.95	12.55	18.05	PRESENT	NO	1728010018 & 1733630009
1728320021	21.5	10	42.52	19.90	19.73	37.85	18.95	19.55	25.05	PRESENT	NO	1728010005 & 1728010006
1728320022	23.5	10	42.52	19.90	19.73	37.85	20.95	21.55	27.05	PRESENT	NO	1728010005 & 1728010006
1728320023	20.5	10	42.52	19.90	19.73	37.85	17.95	18.55	24.05	PRESENT	NO	1733630011
1728320024	18.5	20	77.52	37.40	37.23	72.85	15.95	16.55	22.05	PRESENT	NO	1728010021
1728320025	18.5	25	95.02	46.15	45.98	90.35	15.95	16.55	22.05	PRESENT	NO	1728010022
1728320026	18.5	6	28.52	12.90	12.73	23.85	15.95	16.55	22.05	PRESENT	NO	1733630012
1728320034	18.5	16	63.52	30.40	30.23	58.85	15.95	16.55	22.05	PRESENT	YES	1728010035
1728320036	18.5	14	56.52	26.90	26.73	51.85	15.95	16.55	22.05	PRESENT	YES	1728010037

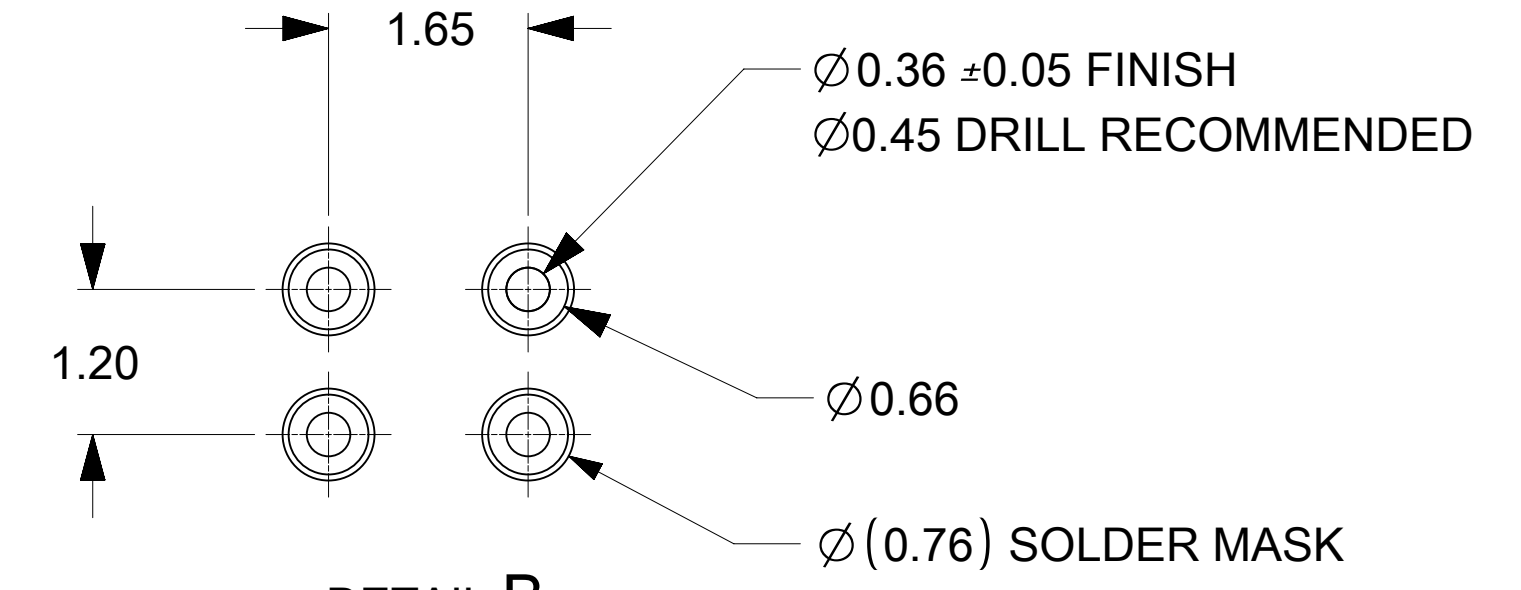
SYMBOLS	THIS DRAWING CONTAINS INFORMATION THAT IS PROPRIETARY TO MOLEX ELECTRONIC TECHNOLOGIES, LLC AND SHOULD NOT BE USED WITHOUT WRITTEN PERMISSION		CURRENT REV DESC: REVISED KEEP OUT ZONE ON SHEET 2		molex			
	DIMENSION UNITS	SCALE						NEOPRESS 6 ROW RECEPTACLE ASSY 100 OHM 100 OHM
∇ = 0	mm	5:1	EC NO: 630199 DRWN: CCHEN103 CHK'D: KPELOZA APPR: JKACHLIC INITIAL REVISION: DRWN: GMINNICK APPR: KLANG		PRODUCT CUSTOMER DRAWING			
∇ = 0	GENERAL TOLERANCES (UNLESS SPECIFIED)				DOCUMENT NUMBER			
∇ = 0	ANGULAR TOL ± 0.5°				2020/01/08			
∇ = 0	4 PLACES ±				2018/01/17			
∇ = 0	3 PLACES ±				2020/02/06			
∇ = 0	2 PLACES ± 0.15		2017/04/21		1728320002			
∇ = 0	1 PLACE ±		2017/07/31		PSD 000 D1			
∇ = 0	0 PLACES ±				REVISION			
∇ = 0	DRAFT WHERE APPLICABLE MUST REMAIN WITHIN DIMENSIONS		THIRD ANGLE PROJECTION	DRAWING	SERIES	MATERIAL NUMBER	CUSTOMER	SHEET NUMBER
∇ = 0				E-SIZE	172832	SEE TABLE	GENERAL MARKET	1 OF 2



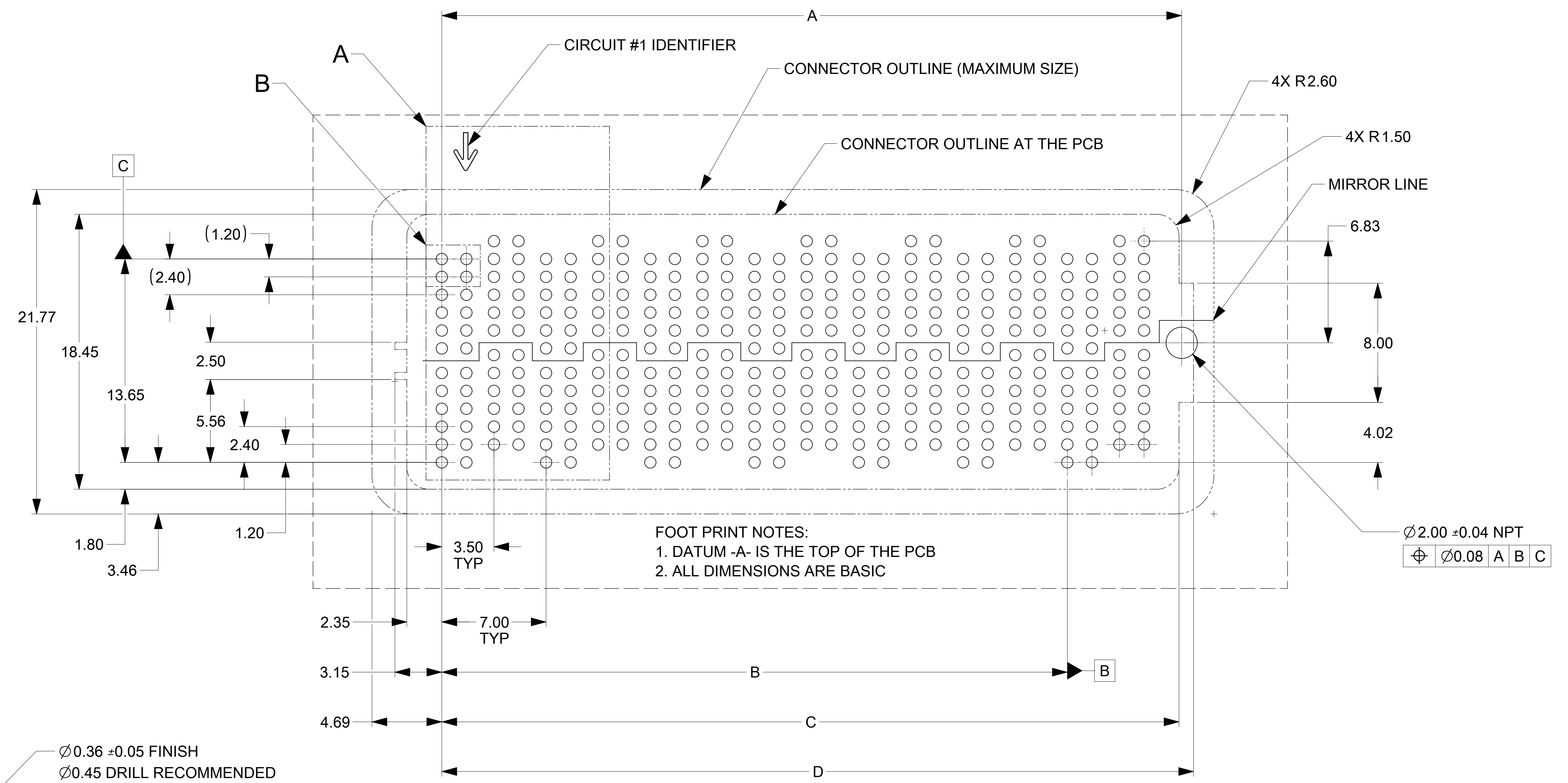
A3 A4 A7
 A1 A2 B3 B4 A5 A6 B7
 B1 B2 C3 C4 B5 B6 C7
 C1 C2 D3 D4 C5 C6 D7
 D1 D2 E3 E4 D5 D6 E7
 E1 E2 F3 F4 E5 E6 F7
 F1 F2 G3 G4 F5 F6 G7
 G1 G2 H3 H4 G5 G6 H7
 H1 H2 J3 J4 H5 H6 J7
 J1 J2 K3 K4 J5 J6 K7
 K1 K2 L3 L4 K5 K6 L7
 L1 L2 M3 M4 L5 L6 M7
 M1 M2 M5 M6

DETAIL A
 SCALE 12:1
 NUMBERING SCHEME

CIRCLED VIAS ARE CONNECTED TO THE SAME SHIELD TERMINAL. ALSO, ALL SHIELD VIAS ARE ELECTRICALLY INTERCONNECTED INSIDE THE CONNECTOR. (SEE CHART FOR EXCEPTIONS FOR POWER TERMINALS*. THE LOW SPEED TRIADS SHIELD TERMINALS MUST BE USED FOR GROUNDS ONLY AND MAY BE CONNECTED TO OTHER SHIELDS IN THIS CONNECTOR EXCEPT THE ELECTRICALLY ISOLATED SHIELDS).



DETAIL B
 SCALE 16:1
 (ALL DIMENSIONS ARE TYP)



FOOT PRINT NOTES:
 1. DATUM -A- IS THE TOP OF THE PCB
 2. ALL DIMENSIONS ARE BASIC

FOOT PRINT 6X14 SHOWN

MATERIAL NUMBER	NO. OF COLUMNS	DIM A	DIM B	DIM C	DIM D	ELECTRICALLY ISOLATED SHIELDS *	LOW SPEED TRIADS *
1728320001	14	N/A	42.00	49.50	50.48	COLUMN 14: B27,B28,D27,D28,F27,F28,G27,G28,J27,J28,L27,L28	COLUMN 13: B25,B26,D25,D26,F25,F26,G25,G26,J25,J26,L25,L26
1728320005	10	35.68	28.00	35.50	36.48	N/A	N/A
1728320009	14	49.68	42.00	49.50	50.48	COLUMN 14: B27,B28,D27,D28,F27,F28,G27,G28,J27,J28,L27,L28	COLUMN 13: B25,B26,D25,D26,F25,F26,G25,G26,J25,J26,L25,L26
1728320013	16	56.68	49.00	56.50	57.48	N/A	N/A
1728320017	8	N/A	21.00	28.50	29.48	N/A	N/A
1728320018	12	42.68	35.00	42.50	43.48	N/A	N/A
1728320019	12	42.68	35.00	42.50	43.48	N/A	N/A
1728320021	10	35.68	28.00	35.50	36.48	N/A	N/A
1728320022	10	35.68	28.00	35.50	36.48	N/A	N/A
1728320023	10	35.68	28.00	35.50	36.48	N/A	N/A
1728320024	20	70.68	63.00	70.50	71.48	COLUMN 19: B37,B38,D37,D38,F37,F38,G37,G38,J37,J38,L37,L38 COLUMN 20: B33,B40,D39,D40,F39,F40,G39,G40,J39,J40,L39,L40	COLUMN 18: B35,B36,D35,D36,F35,F36,G35,G36,J35,J36,L35,L36
1728320025	25	88.18	80.50	88.00	88.98	N/A	N/A
1728320026	6	21.68	14.00	21.50	22.48	N/A	N/A
1728320034	16	56.68	49.00	56.50	57.48	COLUMN 15: B29,B30,D29,D30,F29,F30,G29,G30,J29,J30,L29,L30 COLUMN 16: B31,B32,D31,D32,F31,F32,G31,G32,J31,J32,L31,L32	COLUMN 14: B27,B28,D27,D28,F27,F28,G27,G28,J27,J28,L27,L28
1728320036	14	49.68	42.00	49.50	50.48	COLUMN 12: B23,B24,D23,D24,F23,F24,G23,G24,J23,J24,L23,L24 COLUMN 13: B25,B26,D25,D26,F25,F26,G25,G26,J25,J26,L25,L26 COLUMN 14: B27,B28,D27,D28,F27,F28,G27,G28,J27,J28,L27,L28	COLUMN 11: B21,B22,D21,D22,F21,F22,G21,G22,J21,J22,L21,L22

SYMBOLS	THIS DRAWING CONTAINS INFORMATION THAT IS PROPRIETARY TO MOLEX ELECTRONIC TECHNOLOGIES, LLC AND SHOULD NOT BE USED WITHOUT WRITTEN PERMISSION	CURRENT REV DESC: SEE SHEET 1		molex
	DIMENSION UNITS: mm	SCALE: 1:1	EC NO: 630199	
▽ = 0	GENERAL TOLERANCES (UNLESS SPECIFIED)	DRWN: CCHEN103	2020/01/08	PRODUCT CUSTOMER DRAWING
▽ = 0	ANGULAR TOL ± 0.5°	CHK'D: KPELOZA	2018/01/17	
▽ = 0	4 PLACES ±	APPR: JKACHLIC	2020/02/06	DOCUMENT NUMBER: 1728320002
▽ = 0	3 PLACES ±	INITIAL REVISION:		
▽ = 0	2 PLACES ± 0.15	DRWN: GMINNICK	2017/04/21	DOC TYPE: PSD
▽ = 0	1 PLACE ±	APPR: KLANG	2017/07/31	
▽ = 0	0 PLACES ±	THIRD ANGLE PROJECTION		DOC PART: 000
▽ = 0	DRAFT WHERE APPLICABLE MUST REMAIN WITHIN DIMENSIONS	DRAWING	SERIES	
▽ = 0		E-SIZE	172832	REVISION: D1
		SEE TABLE	GENERAL MARKET	SHEET NUMBER: 2 OF 2