

2

1

THIS COPY IS PROVIDED ON A RESTRICTED BASIS AND IS NOT TO BE USED IN ANY WAY DETRIMENTAL TO THE INTERESTS OF PANDUIT CORP.

A

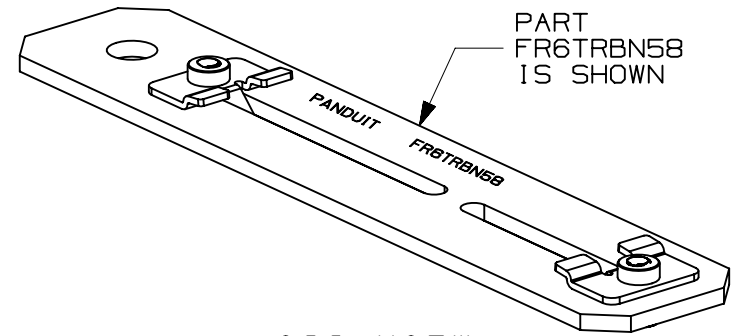
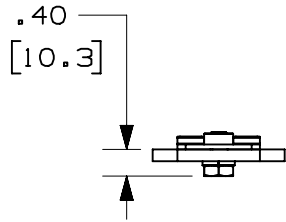
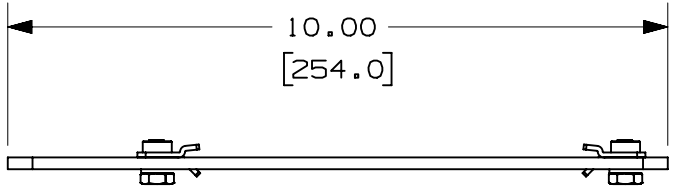
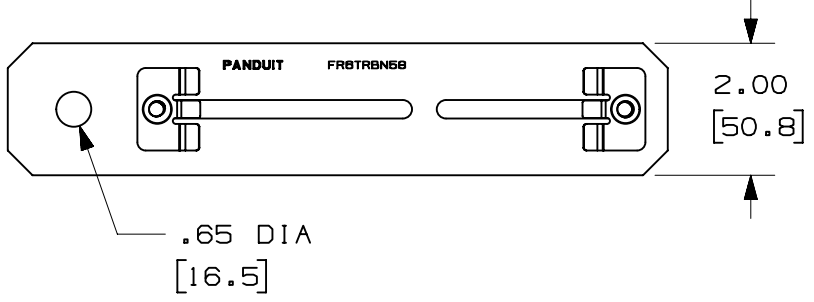
E

PANDUIT PART NUMBER	WEIGHT
FR6TRBN58 FR6TRBN58M	1.20 LB/EACH (543g/EACH)

F

NOTES:

- SEE CURRENT CATALOG FOR ADDITIONAL PART SUFFIXES TO INDICATE PACKAGE QUANTITY.
- THE FIBERRUNNER 4x4 AND 6x4 QUIKLOCK NEW THREADED ROD BRACKET IS USED TO SUPPORT THE FIBERRUNNER 4x4 AND/OR 6x4 CABLE ROUTING SYSTEMS FROM A SECTION OF NEW 5/8" (M16) THREADED ROD (NOT INCLUDED).
- THE FIBERRUNNER 4x4 AND 6x4 QUIKLOCK NEW THREADED ROD BRACKET INCLUDES:
ONE (1) BRACKET ASSEMBLY,
TWO (2) 5/8 HELICAL SPRING LOCKWASHERS,
TWO (2) 5/8-11 HEAVY HEX NUTS (FR6TRBN58 ONLY),
TWO (2) M16x2 HEX NUTS (FR6TRBN58M ONLY)
- FINISH COLOR: BLACK (EXCEPT HARDWARE)
- DIMENSIONS IN PARENTHESES ARE IN MILLIMETERS (mm).



ISO VIEW
SCALE 1:2

J

A

TITLE
FIBERRUNNER 4x4 AND 6x4 QUIKLOCK NEW THREADED ROD BRACKET - 5/8" (M16) THREADED ROD (FR6TRBN58 & FR6TRBN58M)
 CUSTOMER DRAWING

ITEM REVISION NAME
 D37585CZ/01

DATASET FILE NAME
 D37585CZ_DC/01B

PANDUIT

UNLESS OTHERWISE SPECIFIED, DIMENSIONAL TOLERANCES ARE:

INCHES	METRIC - MILLIMETER	ANGLE
X.X +/- 0.06	X +/- 1.6	+/- 1°
X.XX +/- 0.02	X.X +/- 0.50	
X.XXX +/- 0.01	X.XX +/- 0.25	

MATERIAL:
 STEEL

01B	10/30/15	MEX-JAGC	DWR	DWR	J. DRAWING TEMPLATE UPDATED	V09000NT
-----	----------	----------	-----	-----	-----------------------------	----------

DRAWING NUMBER:
37585-71

DRAWN BY JHNU	DATE 11/4/00	CHK HIW	SCALE 11:32	SHT 1 OF 1	SIZE A
------------------	-----------------	------------	----------------	------------	-----------

2

1

D10100DA/16