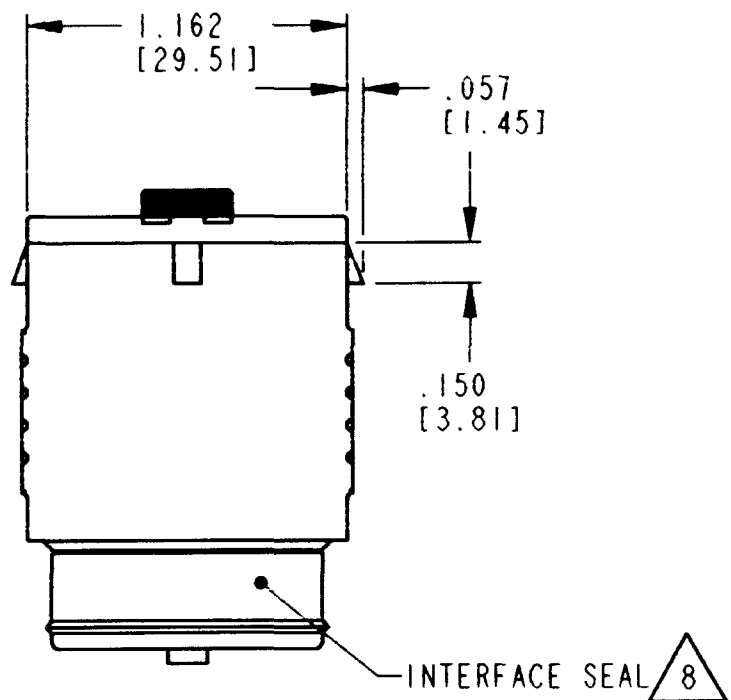


REV B	DRC16-40S-P013	REVISIONS		
SYM	DESCRIPTION	DATE	APPROVED	
NC	NEW RELEASE PER E.O. P15136	11-15-96	R.D.R.	
A	REVISED PER E.O. P17728	4-15-02	R.D.R.	
B	REVISED PER E.O. P19166	2-21-06	ADR	



- 7. MATERIAL- PLUG: PLASTIC (BLACK); SEAL/GROMMET: RUBBER; BOLT/CLIP: STEEL.
- 6. MATING TORQUE REQUIREMENT: 25-28 in-lb (2.82-3.16 Nm).
- 5. THIS PLUG MATES WITH DRC10-40P-\*\*\*\*; DRC12-40P\*E-\*\*\*\*; DRC13-40P\*-\*\*\*\*; DRC14-40P\*E-\*\*\*\*. CONSULT FACTORY FOR MODIFICATIONS.  
\* = A, B, C, D KEYS  
\*\*\*\* = MODIFICATIONS

CONTACT SIZE	MIN. INSUL. OD [mm]	MAX. INSUL. OD [mm]	WIRE RANGE [mm <sup>2</sup> ] REF ONLY <sup>4</sup>
16	.100 [2.54]	.134 [3.40]	14-18 AWG [2.0-.75]

<sup>4</sup> FOR CONTACTS AND WIRE PERFORMANCE AND APPLICATION CHARACTERISTICS, SEE ENVELOPE DRAWING 0425-015-0000.

<sup>8</sup> PART MODIFICATION: INTERFACE SEAL IS BONDED TO PLUG HOUSING.

- 3. PLUG SUPPLIED WITH DUST CAP. (NOT SHOWN).
  - 2. DIMENSION TOLERANCE: ±.025 [.635].
  - 1. DIMENSIONS ARE IN INCHES [mm].
- NOTES:

SIGNATURE & DATE		<b>PLUG</b> <b>40 SIZE 16</b> <b>-P013 MOD</b> <b>DRC SERIES</b>	CP	MATL. CODE
DR	D. MEYER 04/12/02		<b>The Deutch Company</b> DEUTSCH I.P.D. 3850 INDUSTRIAL AVE. HEMET, CALIF. 92545	
CHK	R. Road 2/14/06		<b>B DRC16-40S-P013</b>	
PE	D. Meyer 2/14/06		DWG SIZE	CODE 11139
APPD	R. Road 2-21-06		SHEET   OF	
SCALE	NONE	WT	ENVELOPE	