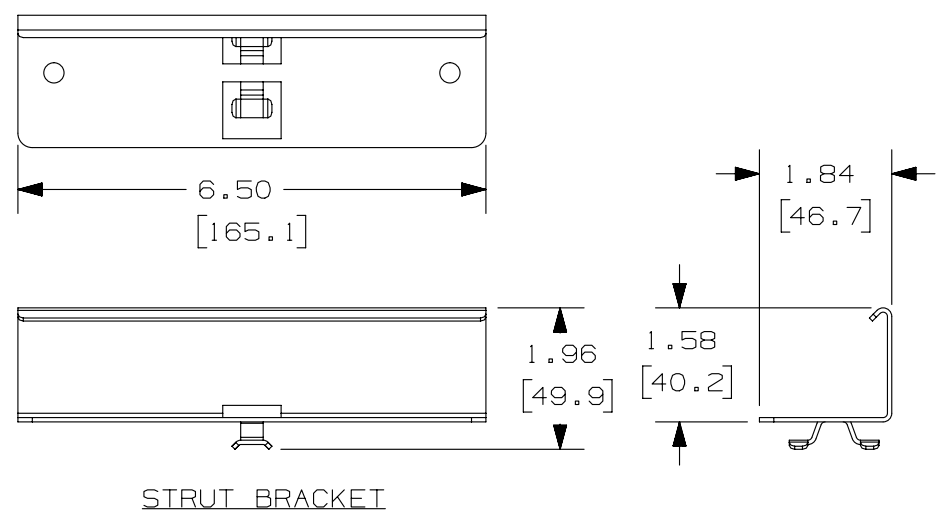


THIS COPY IS PROVIDED ON A RESTRICTED BASIS AND IS NOT TO BE USED IN ANY WAY DETRIMENTAL TO THE INTERESTS OF PANDUIT CORP.

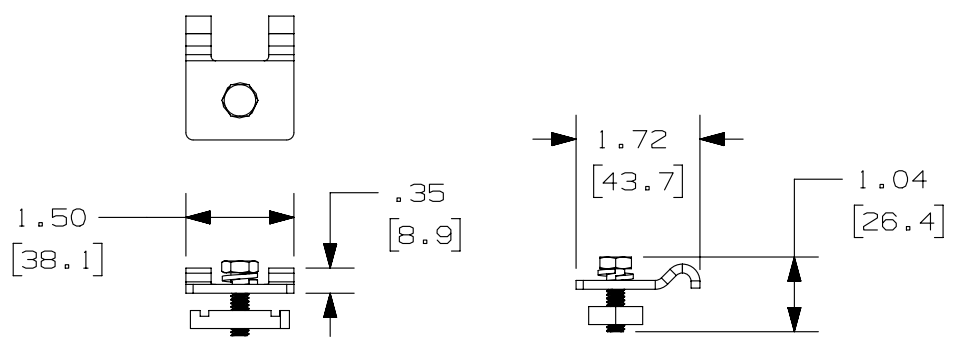


STRUT BRACKET

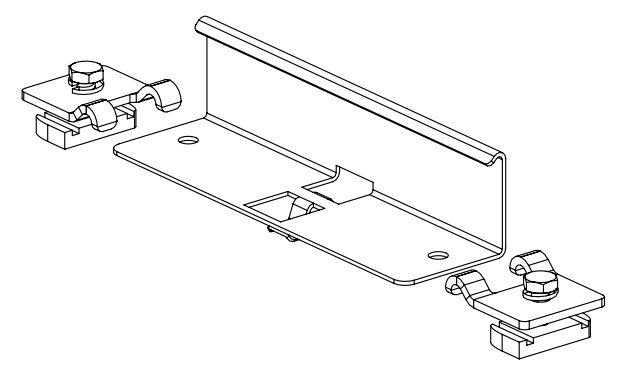
PANDUIT PART NUMBER	WEIGHT
WGSK**	.66 LBS (299.4 g)

NOTES:

- SEE CURRENT CATALOG FOR ADDITIONAL PART SUFFIXES TO INDICATE PACKAGE QUANTITY.
- THE WYR-GRID STRUT KIT IS USED WITH STRUT TO MAKE A TRAPEZE BRACKET.
- THE WYR-GRID STRUT KIT PACKAGE CONTAINS A STRUT BRACKET AND A PAIR OF STRUT CLIPS.  
EACH STRUT CLIP CONSIST OF:  
 ONE (1) WYR-GRID STRUT CLIP  
 ONE (1) 1/4-20 X 7/8 HEX HEAD CAP SCREW  
 ONE (1) 1/4 HELICAL SPRING LOCKWASHER  
 ONE (1) 1/4-20 CHANNEL NUT
- ALL DIMENSIONS IN PARENTHESES ARE METRIC.



STRUT CLIP



						TITLE						
						<b>WYR-GRID STRUT KIT (WGSK**)</b>						
						CUSTOMER DRAWING						
						ITEM REVISION NAME		<b>PANDUIT</b>				
						13D309AA/00						
						DATASET FILE NAME						
						13D309AA_DC/00A WGSK**						
						UNLESS OTHERWISE SPECIFIED, DIMENSIONAL TOLERANCES ARE: IN ( mm )						
						.X ±		.XXX ±				
						.XX ± .05 ( 1.3 )		ANGLES ±				
								THIRD ANGLE PROJECTION				
R 02-06-14 SSP DWW RN RELEASED TO PRODUCTION						13D309AA-DC		DRAWING NUMBER:		13D309AA-DC		
REV	DATE	BY	CHK	APR	DESCRIPTION	ECN	DRAWN BY	DATE	CHK	SCALE	SHT 1 OF 1	SIZE
							SSP	02-06-14	DWW	NONE		A