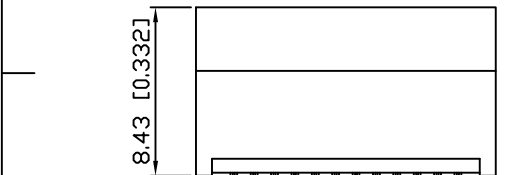
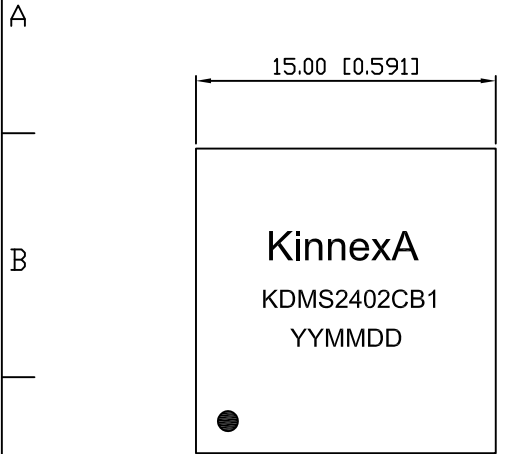


1. MECHANICAL DIMENSIONS :

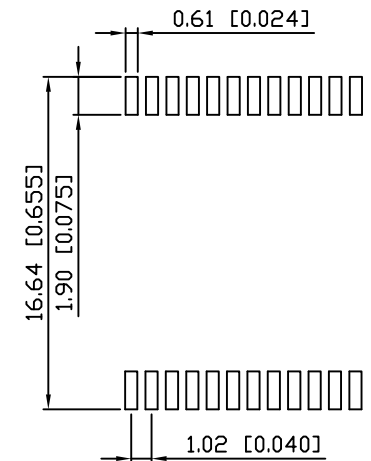
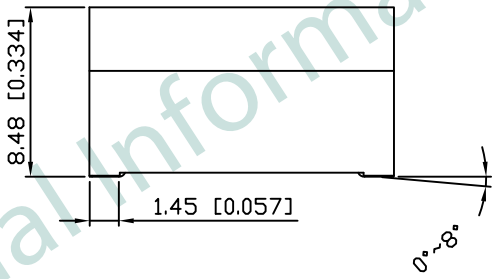
REV.	DATE	DESCRIPTION
01	Jan.09,17	1st RELEASE

NOTES:

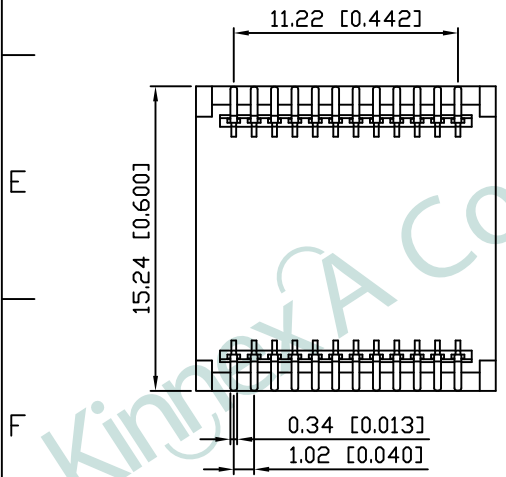
- MATERIAL:  
HOUSING: LCP, STANDARD COLOR-BLACK  
SOLDER PIN: BRASS PLATED WITH TIN
- OPERATING TEMPERATURE: 0°C ~ +70°C
- UNSPECIFIED TOLERANCE: .XX ±0.25[0.010]



$\Delta$  0.10 [0.004]  
24 SURFACES



SUGGESTED PAD LAYOUT



KTFZ-DMS2402CB1-HA1

TRANSFORMER  
MODULE SERIES

TYPE  
Di STANDARD

APPLICATION  
Mi 10 GIGABIT

NUMBER OF PORT  
Si FOR SINGLE PORT

NUMBER OF PIN

PITCH  
Bi 1.02

TERMINAL TYPE  
Ci SMT TYPE

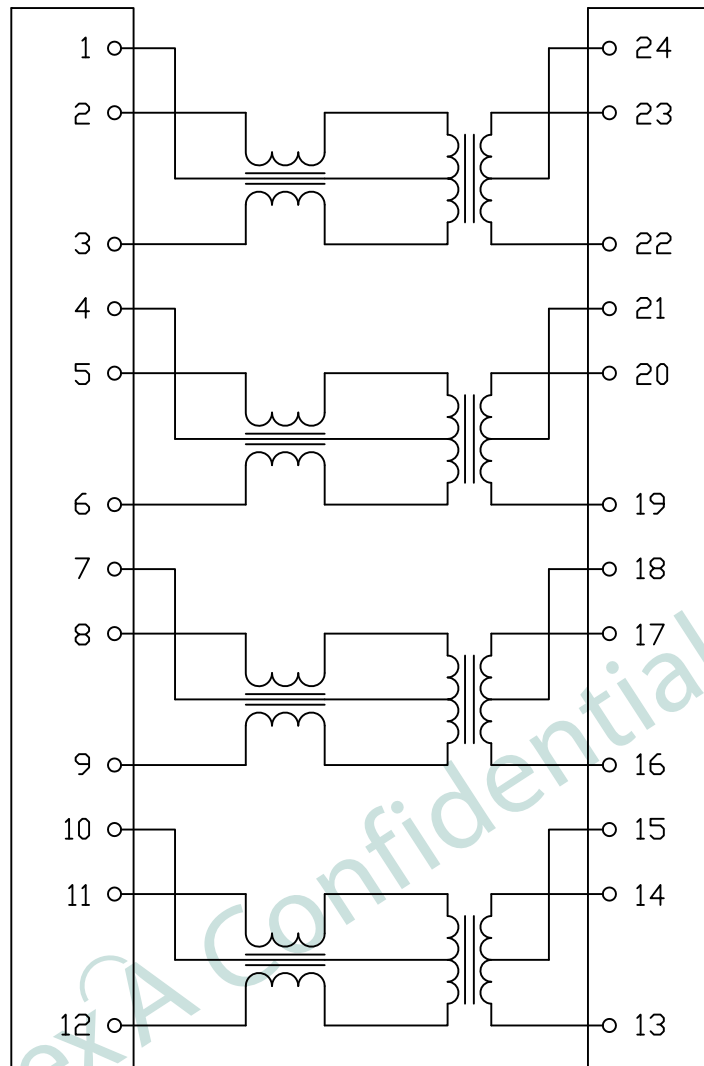
CIRCUIT TYPE

MECHANICAL TYPE

CUSTOMER CODE

PART NO		KTFZ-DMS2402CB1-HA1		
TITLE	10G BASE-T TRANSFORMER MODULES			
REV : 01				
UNIT	DRAWN	CHKD	DATE	SHEET
mm[inch]	DANIEL	RYAN	Jan.09,17	1 of 3

2. SCHEMATIC :



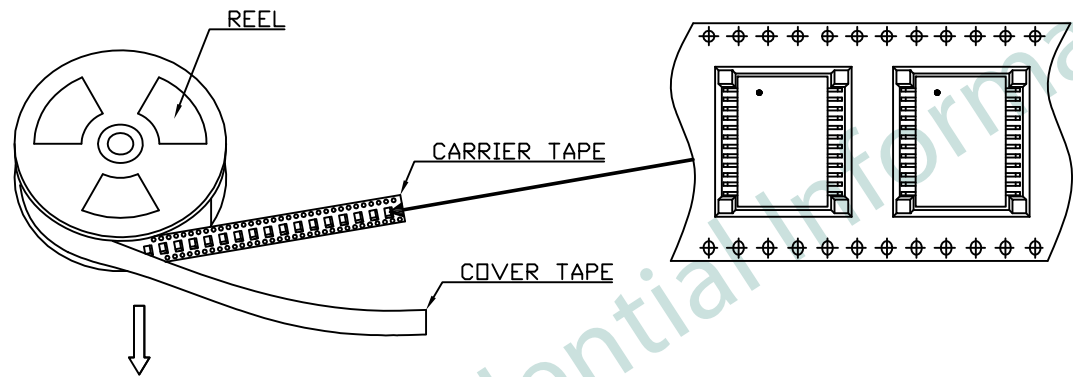
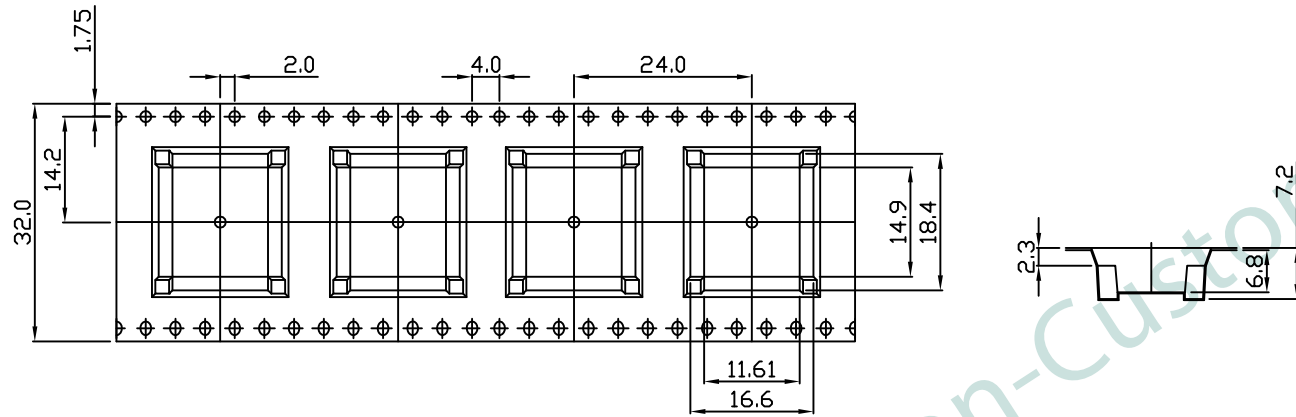
3. ELECTRICAL CHARACTERISTICS :

TEST NOTES:(25°±5°C)

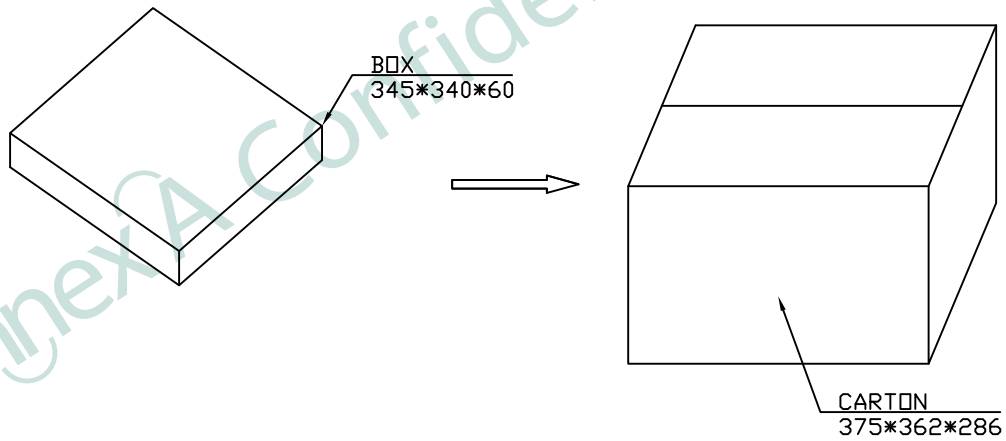
1. INSERTION LOSS:
  - 0.5dB MAXIMUM AT 1MHz TO 5MHz
  - 0.6dB MAXIMUM AT 5MHz TO 200MHz
  - 1.0dB MAXIMUM AT 200MHz TO 400MHz
  - 3.0dB MAXIMUM AT 400MHz TO 600MHz
2. RETURN LOSS AT THE PHY SIDE:
  - 20dB MINIMUM AT 1MHz TO 200MHz
  - 15dB MINIMUM AT 200MHz TO 400MHz
  - 14dB MINIMUM AT 400MHz TO 600MHz
  - 8dB MINIMUM AT 600MHz TO 800MHz
3. CROSS TALK:
  - 30dB MINIMUM AT 100MHz TO 500MHz
4. CM TO DM REJECTION:
  - 30dB MINIMUM AT 1MHz TO 500MHz
5. CM TO CM REJECTION:
  - 40dB MINIMUM AT 1MHz TO 100MHz
  - 35dB MINIMUM AT 100MHz TO 300MHz
  - 30dB MINIMUM AT 300MHz TO 600MHz
6. HIPOT:
  - INPUT TO OUTPUT : 1500VAC FOR 60 SECONDS

		PART NO			KTFZ-DMS2402CB1-HA1
TITLE		10G BASE-T TRANSFORMER MODULES			
REV : 01					
UNIT	DRAWN	CHKD	DATE	SHEET	
mm[inch]	DANIEL	RYAN	Jan.09,17	2 of 3	

4. PACKING SPECIFICATION:



400	400	1600
PCS/REEL	PCS/BOX	PCS/CARTON



PART NO KTFZ-DMS2402CB1-HA1				
TITLE	10G BASE-T TRANSFORMER MODULES			
REV : 01				
UNIT	DRAWN	CHKD	DATE	SHEET
mm[inch]	DANIEL	RYAN	Jan.09,17	3 of 3