

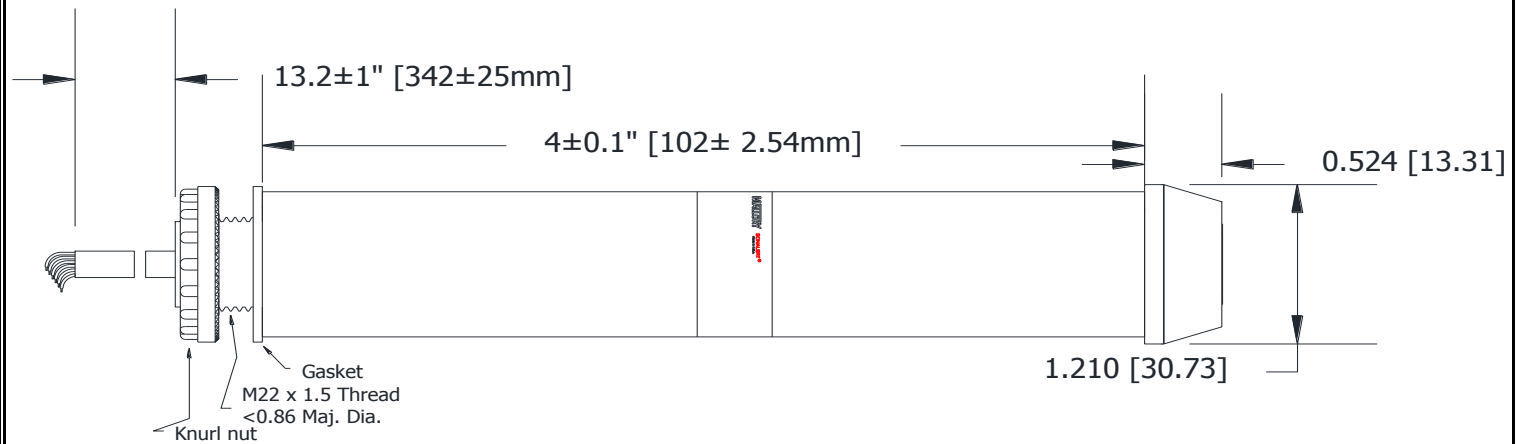


**Sales Outline Drawing**

**Specifications:**

|                        |  |
|------------------------|--|
| Sound Level Category   | Loud   |
| Mode of Operation      | Medium Pulse @ 5 PPS   |
| Voltage Rating         | 20 to 28 VAC/DC  |
| Frequency              | 3900 ± 500 Hz  |
| Loudness @ 1M          | 80 to 85 dB(A) Typ.  |
| Sound Current Draw     | 40mA MAX   |
| LED Color              | RED  |
| LED Current Draw       | 60mA MAX   |
| Total Max Current Draw | 100mA MAX  |
| Housing Material       | 6/6 Nylon, Color: Black  |
| Top Cap Material       | 6/6 Nylon, Color: Opaque White                                 |
| Storage Temperature    | -40° to +70° C   |
| Operating Temperature  | -30° to +60° C   |
| Mounting               | Recommended hole size is 22.5 mm.                              |
| Knurled Nut            | The max recommended torque is 10 in-lbs.                       |
| Cable                  | Gray, UL Style 21894, 300V, 105°C, 24AWG, Pb-Free Tinned Leads |
| Weight (Typical)       | 105 grams  |
| NEMA 12                | Approved with use of included gasket.                          |
| Options                | Please contact factory.  |

**Dimensions:** Inches (mm) **cUL Recognized** **ROHS Compliant**



Connections:  
SOUND BLACK wire and ORANGE wire to Power  
TOP BROWN wire and RED wire to Power