

Flat suction pad (round)

SFF 30 NBR-ESD-55 G1/4-IG

Part no...:10.01.01.14677

<https://www.schmalz.com/10.01.01.14677>

Home > Vacuum Technology for Automation > Vacuum Components > Vacuum Suction Cups > Suction Cups for the Electronics Industry > Suction Cups SFF / SFB1 > SFF 30 NBR-ESD-55 G1/4-IG

Flat suction cup (round) for dynamic handling of thin and flexible workpieces



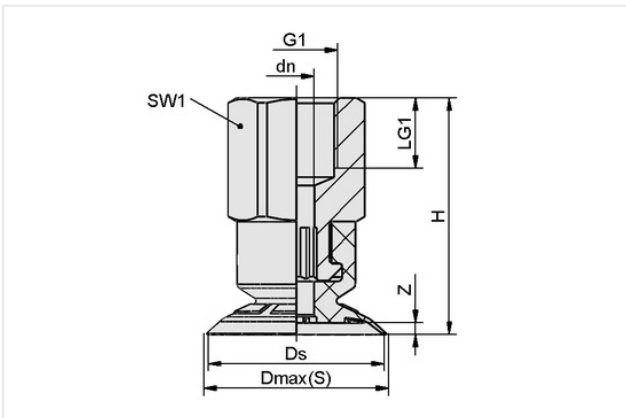
Size: 30

Suction cup material: Nitrile rubber NBR-ESD

Material hardness [Shore A]: 55 Shore A

Number of folds: 0

Design Data



| Attribute | Value |
|------------|----------|
| G1 | G1/4"-F |
| Dmax(S) | 31.50 mm |
| Ds | 30 mm |
| dn | 4 mm |
| LG1 | 12 mm |
| H | 30.80 mm |
| SW1 | 17 mm |
| Z (Stroke) | 2 mm |

Technical Data

| Attribute | Value |
|-----------------------------|------------------------|
| Size | 30 |
| Suction cup material | Nitrile rubber NBR-ESD |
| Suction force (-600mbar) | 26.90 N |
| Product family | SFF |
| Volume | 1.70 cm ³ |
| Number of folds | 0 |
| Material hardness [Shore A] | 55 Shore A |

Contact Schmalz

Schmalz Inc. | 5850 Oak Forest Drive, Raleigh, NC 27616, United States | +1 (919) 713-0880 | schmalz.us@schmalz.com

Flat suction pad (round)

SFF 30 NBR-ESD-55 G1/4-IG

Part no...:10.01.01.14677

<https://www.schmalz.com/10.01.01.14677>

Spare parts



SFF 30 NBR-ESD-55 SC040

Part no...:10.01.01.14635

Size: 30

Suction cup material: Nitrile rubber NBR-ESD

Material hardness [Shore A]: 55 Shore A

Number of folds: 0



SC 040 G1/4-IG

Part no...:10.01.06.02918

Connection geometry: 040

Vacuum connection: G1/4"-F

Fitting length: 17.3 mm

Nominal diameter dn: 4.1 mm