

EKI-6333AC-4GP

Industrial IEEE 802.11 a/b/g/n/ac Wi-Fi AP with PoE



Features

- Support 802.11ac MIMO 2T2R
- WLAN transmission rate up to 867 Mbps
- Supports secure access with WEP, 802.1x, WPA/WPA2-Personal, WPA/WPA2-Enterprise
- Provides Web-based configuration
- Support Dual band 2.4G/5GHz concurrently
- 4 Gigabit Ethernet Port with PoE 802.3at PSE support

Introduction

The EKI-6333AC-4GP is a feature rich wireless AP with din-rail type design which provides a reliable wireless connectivity for industrial environments.

With the support of WMM, EKI-6333AC-4GP effectively improves the reliability of wireless connectivity, especially in applications that need high reliability and high throughput data transmission. To secure wireless connections, EKI-6333AC-4GP implements the latest encryption technologies including WPA2/WPA/802.1x for powerful security authentication.

Specifications

Ethernet Communications

- **Port Type** RJ45
- **No. of Ports** 4 with 802.3at PSE
- **Speed** 10/100/1000 Mbps

Wireless LAN Communications

- **No. of Radio** 2 (Dual Radio)
- **Compatibility** IEEE 802.11a/b/g/n/ac
- **Speed** Up to 867Mbps for 11ac
- **Network Mode** AP/Router/Bridge/Station
- **Antenna Connector** Reverse SMA
- **No. of Antenna** 4 (Support 2T2R for each Radio)
- **Free Space Range** Open space 100 m
- **Wireless Security** WEP, WPA/WPA2-Personal, WPA/WPA2-Enterprise

Software

- **Management** Web, Telnet CLI, command script, SNMPv3 Standard
- **Security** VPN: IPSec, OpenVPN, PPTP, L2TP, GRE
Firewall: SPI firewall with stealth mode, IPS
Access Control: Packet filter, URL blocking, MAC filter
Management/Notifying Events, Syslog, Email Alart
- **Event Handling** Packet Analyzer, Diagnostic Tools
- **Diagnostic** Packet Analyzer, Diagnostic Tools

Mechanics

- **Enclosure** Metal shell with solid mounting kits
- **Mounting** DIN-rail, Wall (optional)
- **Dimensions (W x H x D)** 62 x 160 x 125 mm
- **Weight** 1.5 kg

General

- **LED Indicators** System: Power, System Status
WLAN: Quality, Link/Active
LAN: Link/Active
- **Reboot Trigger** Built-in WDT (watchdog timer)

Power Requirements

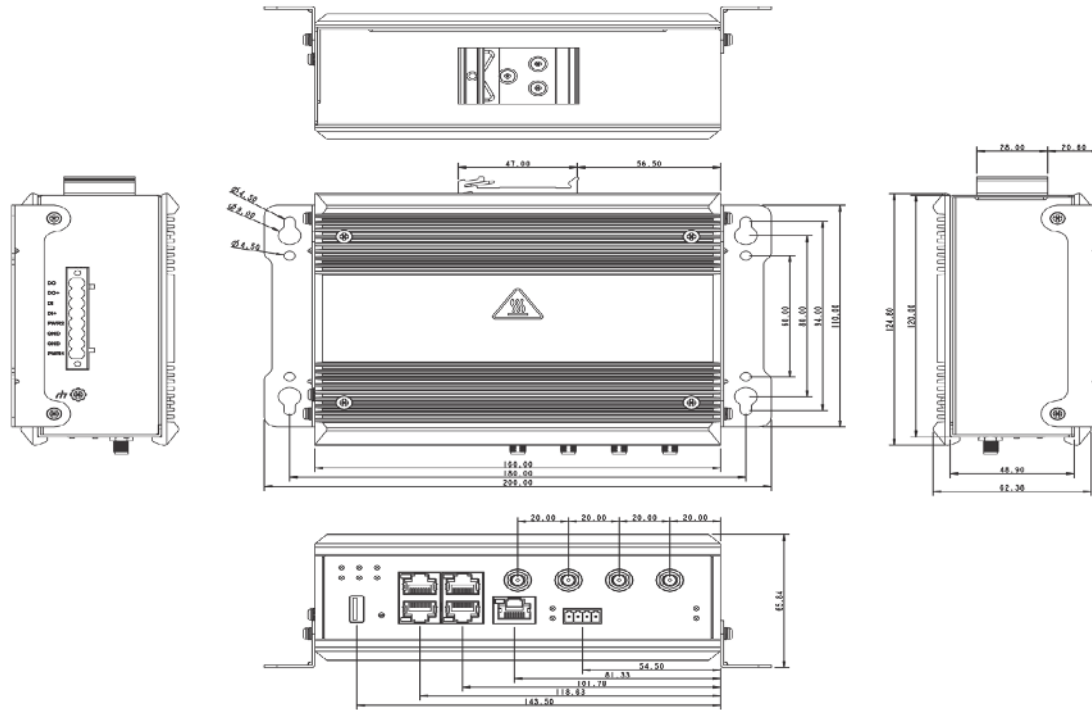
- **Power Input** 24 ~ 56 V_{DC}, Redundant dual inputs
- **Power Connector** Terminal block
- **Power Consumption** 20W (120W for 4xPDs)

Environment

- **Operating Temperature** -30 ~ 70°C
- **Storage Temperature** -40 ~ 80°C (-40 ~ 176°F)
- **Operating Humidity** 10 ~ 95% RH

Dimensions

Unit: mm



Wireless Transmission Rates

- **Transmitted Power***
 - 802.11a 14 dBm@54Mbps, 19 dBm@6Mbps
 - 802.11b: 16 dBm
 - 802.11g: 13 dBm
 - 802.11n HT20(2.4GHz): 15 dBm@MCS0, 13 dBm@MCS7/15
 - 802.11n HT40(2.4GHz): 15 dBm@MCS0, 13 dBm@MCS7/15
 - 802.11n HT20(5GHz): 17dBm@MCS0, 13dBm@MCS7
 - 802.11n HT40(5GHz): 17dBm@MCS0, 13dBm@MCS7,
 - 802.11ac VHT20: 17dBm @MCS0
 - 802.11ac VHT40: 17dBm @MCS0
 - 802.11ac VHT80: 16dBm @MCS0, 12dBm@MCS9
- **Receiver Sensitivity**
 - 2.4G
 - 802.11b CCK: Range -85 dBm
 - 802.11g OFDM: Range -72 dBm
 - 802.11n(20MHZ): Range -69 dBm
 - 802.11n(40MHZ): Range -65 dBm
 - 5G
 - 802.11a OFDM: Range -70 dBm
 - 802.11n(20MHZ): Range -67 dBm
 - 802.11n(40MHZ): Range -65 dBm
 - 802.11ac(80MHZ): Range -56dBm

Ordering Information

- **EKI-6333AC-4GP-A** Industrial 802.11 a/b/g/n/ac Wi-Fi AP with PoE PSE

Note: The listed value is the target power calibrated in the card. The actual power will vary depending on each country's regulation