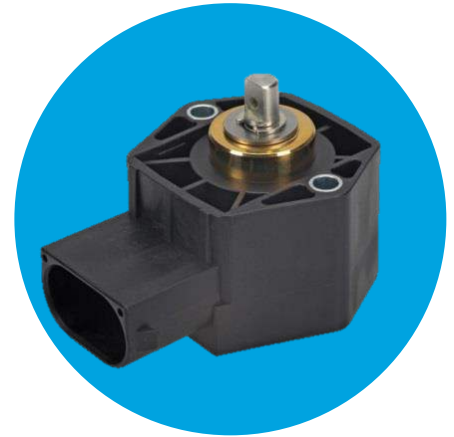
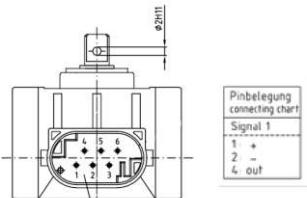


Angle sensor (Hall) 91680



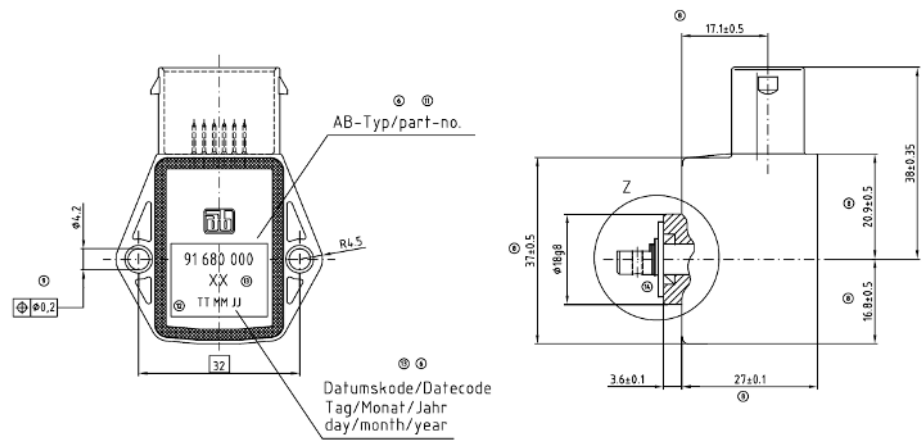
Connector



AMP-Kupplung/female connector
AMP-Nr. 114-18063-21/Kodierung A
MOS-Gegenstecker/connector housing
AMP-Nr. 1-967616-1
Steckerkontakt/terminals
AMP-Nr. 0-096 3727-2
Blindstopfen/blind plug
AMP-Nr. 0-096 7056-1
Einzelleiterabdichtung/core seal
AMP-Nr. 0-096 7067-1

Female connector on request

Dimensions



Supply Current	5 V ± 0.25 V 6 mA max.	Temperature range	- 40 °C to + 120 °C
Output signal	Voltage interface, 1 signal	Sealing grade	Protection class according to DIN 40050-9 housing IP6K6 connector IP6K9K
Terminals Sensor	Gold plated	Vibration	Robust against higher requirements
Specification	DHWS670671-6a	Drawing	91680000 Index 14

Angle range (degrees)

