



Appliance Connectors

TE Internal #: 1969726-1

Crimp Terminal Housings, Receptacle, Receptacle, 2 Position, Straight, UL 94V-0, Black, LCP, Contact Mating Retention, Appliance Connectors

[View on TE.com >](#)

Terminals & Splices > Terminal Housings, Insulation Sleeves & Blocks > Crimp Terminal Housings



Terminal Type: **Receptacle**
 Connector & Housing Type: **Receptacle**
 Number of Positions: **2**
 Terminal Orientation: **Straight**
 UL Flammability Rating: **UL 94V-0**

Features

Product Type Features

Sealable	No
Connector & Contact Terminates To	Wire & Cable
Connector & Housing Type	Receptacle

Configuration Features

Number of Positions	2
---------------------	---

Body Features

Primary Product Color	Black
-----------------------	-------

Contact Features

Terminal Type	Receptacle
Terminal Orientation	Straight
Contact Mating Retention	With

Mechanical Attachment

Mating Alignment Type	Polarization
-----------------------	--------------



Mating Alignment	With
Connector Mounting Type	Cable Mount (Free-Hanging)

Housing Features

Housing Material	LCP
Centerline (Pitch)	16 mm [.63 in]

Usage Conditions

Operating Temperature Range	-40 – 240 °C [-40 – 464 °F]
-----------------------------	-----------------------------

Industry Standards

UL Flammability Rating	UL 94V-0
------------------------	----------

Packaging Features

Packaging Quantity	600
Packaging Method	Carton

Product Compliance

[For compliance documentation, visit the product page on TE.com>](#)

EU RoHS Directive 2011/65/EU	Compliant
EU ELV Directive 2000/53/EC	Compliant
China RoHS 2 Directive MIIT Order No 32, 2016	No Restricted Materials Above Threshold
EU REACH Regulation (EC) No. 1907/2006	Current ECHA Candidate List: JUNE 2023 (235) Candidate List Declared Against: JAN 2023 (233) Does not contain REACH SVHC
Halogen Content	Low Halogen - Br, Cl, F, I < 900 ppm per homogenous material. Also BFR/CFR/PVC Free
Solder Process Capability	Not reviewed for solder process capability

Product Compliance Disclaimer

This information is provided based on reasonable inquiry of our suppliers and represents our current actual knowledge based on the information they provided. This information is subject to change. The part numbers that TE has identified as EU RoHS compliant have a maximum concentration of 0.1% by weight in homogenous materials for lead, hexavalent chromium, mercury, PBB, PBDE, DBP, BBP, DEHP, DIBP, and 0.01% for cadmium, or qualify for an exemption to these limits as defined in the Annexes of Directive 2011/65/EU (RoHS2). Finished electrical and electronic equipment products will be CE marked as required by Directive 2011/65/EU. Components may not be CE marked. Additionally, the part numbers that TE has identified as EU ELV compliant have a maximum concentration of 0.1% by weight in homogenous materials for lead, hexavalent chromium, and mercury, and 0.01% for cadmium, or qualify for an exemption to these limits as defined in the Annexes of Directive 2000/53/EC (ELV). Regarding the REACH Regulation, the information TE provides on SVHC in articles for this part number is based on the latest European Chemicals Agency (ECHA) 'Guidance on requirements for substances in articles' posted at this URL: <https://echa.europa.eu/guidance-documents/guidance-on-reach>

Compatible Parts



TE Part # 640750-1
HEAVY DUTY BURNER CLIP ST



TE Part # 640748-7
HEAVY DUTY BURNER REC 18-14
AWG PHBRZ



TE Part # 640751-1
HEAVY DUTY BURNER CLIP ST



TE Part # 1217836-1
HEAVY DUTY BURNER CLIP ST




TE Part # 1217841-1
HEAVY DUTY BURNER CLIP ST

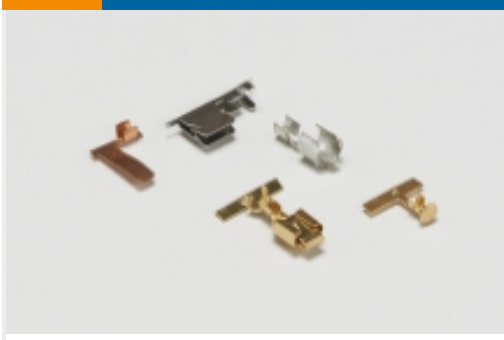


TE Part # 1969755-1
CLIP, HEAVY DUTY BURNER
CONNECTOR

Also in the Series | Appliance Connectors



Crimp Terminal Housings(1)




Special Purpose Terminals(10)

Customers Also Bought



TE Part #63748-1
187 FASTON FLAG REC 20-16 AWG
BR



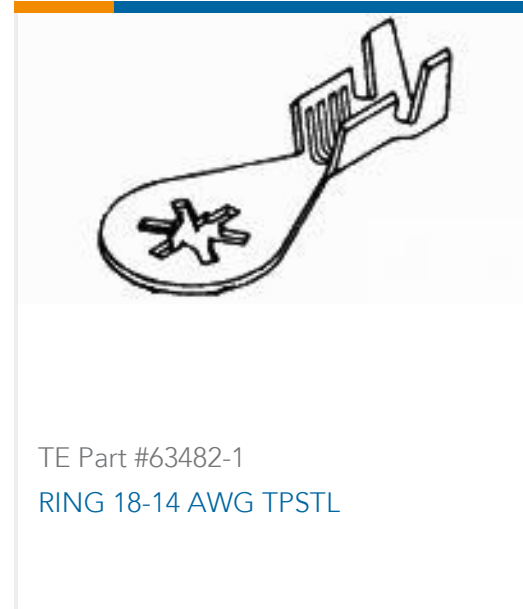
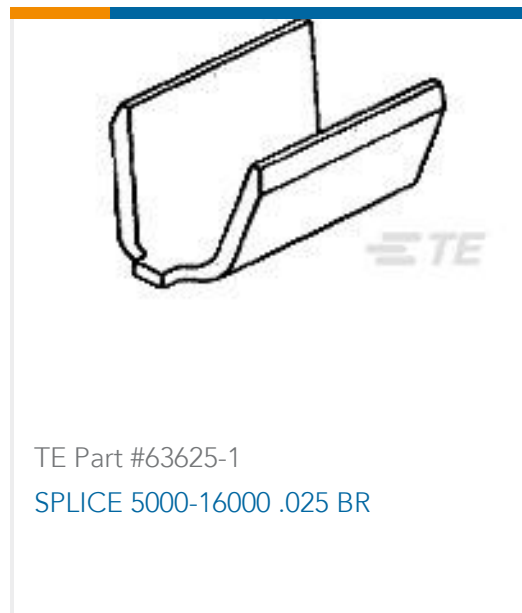
TE Part #42722-1
RING TONGUE 12-10 AWG BR



TE Part #1742883-1
187 FASTON,REC.,20-16 AWG,NPST



TE Part #61795-3
RING 18-14 AWG TPBR



Documents

Product Drawings

2P HEAVY DUTY BURNER HSG

English

CAD Files

3D PDF

3D

Customer View Model

[ENG_CVM_CVM_1969726-1_C.2d_dxf.zip](#)

English

Customer View Model

[ENG_CVM_CVM_1969726-1_C.3d_igs.zip](#)

English

Customer View Model

[ENG_CVM_CVM_1969726-1_C.3d_stp.zip](#)

English

By downloading the CAD file I accept and agree to the [Terms and Conditions](#) of use.

Product Specifications

Application Specification

English

Agency Approvals

UL Report

English