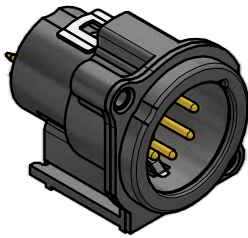
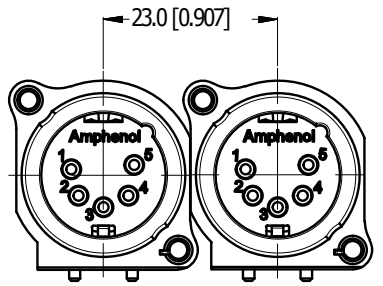
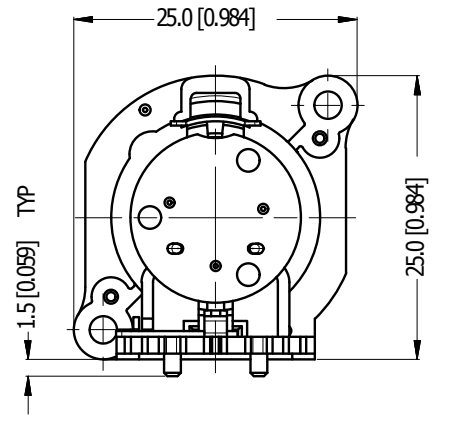
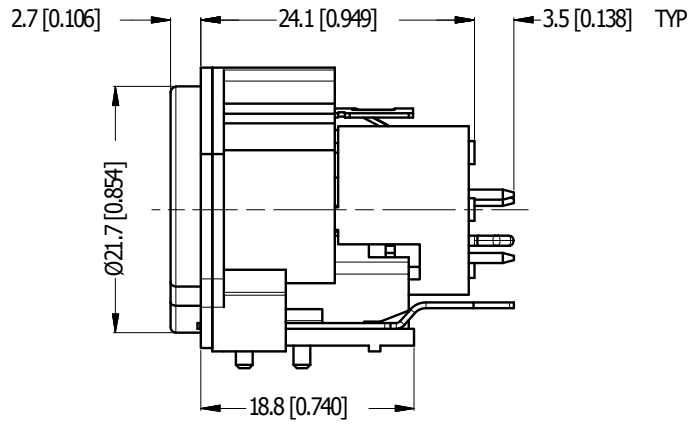
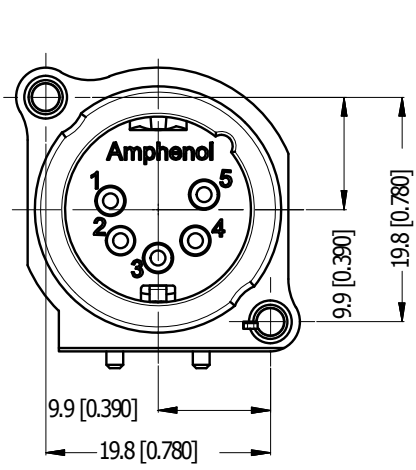
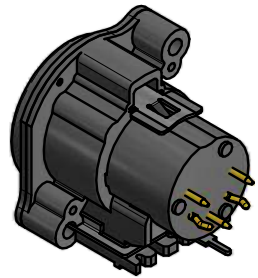


LEGEND = KEY PRODUCT CHARACTERISTICS

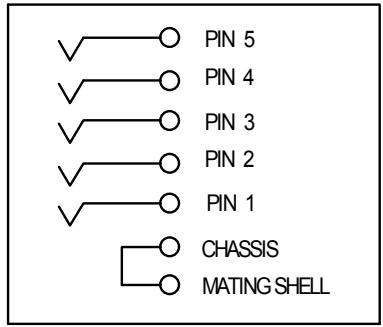
REV	DESCRIPTION	DATE	BY	ECN
0	FIRST ISSUE	20-08-08	MH	---
1	ADD -B TO PN	26-08-15	MH	---
2	CHANGE MATERIAL FROM PA66 UL94HB TO UL94V-0	01-04-20	MH	9593



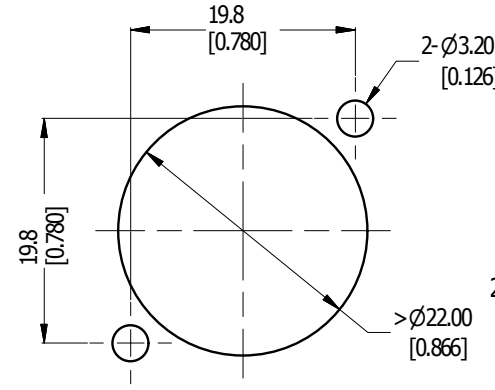
3D VIEW (1:1)



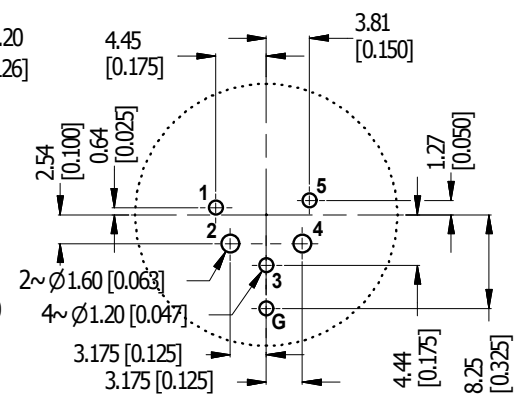
MIN MOUNTING PITCH (SCALE 1:1)



SCHEMATIC CHART



PANEL CUT OUT REAR VIEW



PCB LAYOUT COMPONENT SIDE TOLERANCE: ± 0.05mm [.002"]

UNLESS OTHERWISE SPECIFIED TOLERANCE TO BE		THIS DOCUMENT IS THE PROPERTY OF AMPHENOL AUSTRALIA PTY. LTD. NO PART THEREOF MAY BE REPRODUCED AND USED WITHOUT THE PRIOR WRITTEN CONSENT OF THE OWNER			
LINEAR	ANGULAR	MATERIAL: <b>SEE COMPONENT</b>	DRN: M.H	DATE: 20-08-08	TITLE: <b>AC5MAV-AU-B VERTICAL MALE CUSTOMER DRAWING</b>
X ± 0.5	X° ± 1	FINISH: <b>SEE COMPONENT</b>	CKD: M.H	DATE: 01-04-20	
XX ± 0.2	XX° ± 30'	DIMENSIONS IN MILLIMETRES	APP'D: P.M	DATE: 01-04-20	
XXX ± 0.1	XXX° ± 15'		SCALE: <b>3:2</b>	SIZE: <b>A4</b>	CAD FILE: 5501446000112

<b>Amphenol</b> Amphenol Australia Pty.Ltd, 22 Industry Blvd, Carrum Downs, VIC 3201	
PART No. <b>AC5MAV-AU-B</b>	SHEET <b>2 / 2</b>
DRAWING No. <b>55010446-000-2</b>	