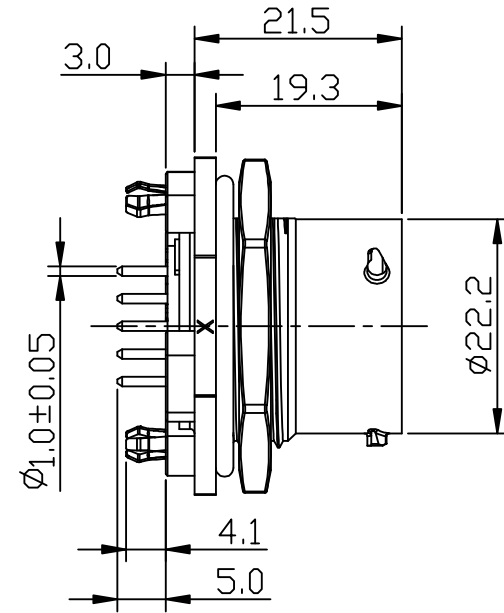
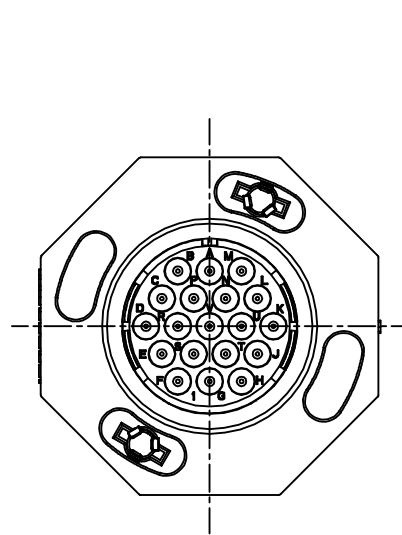
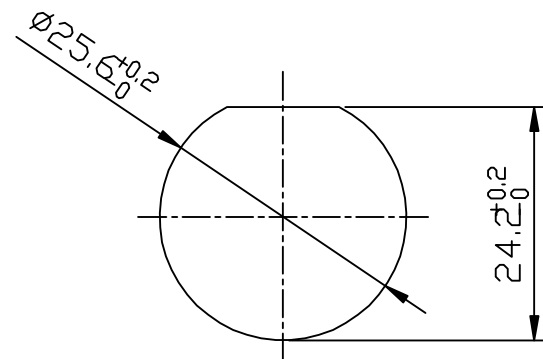
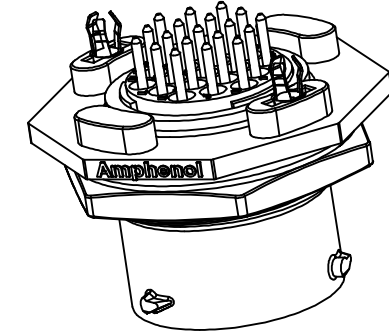
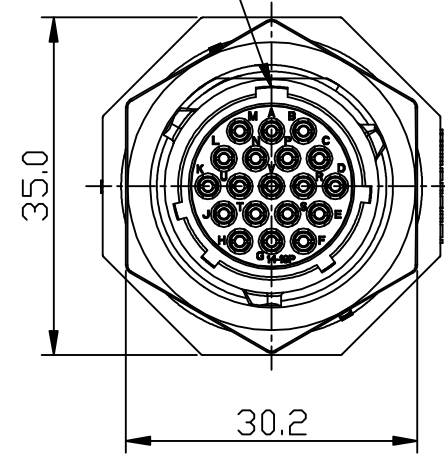


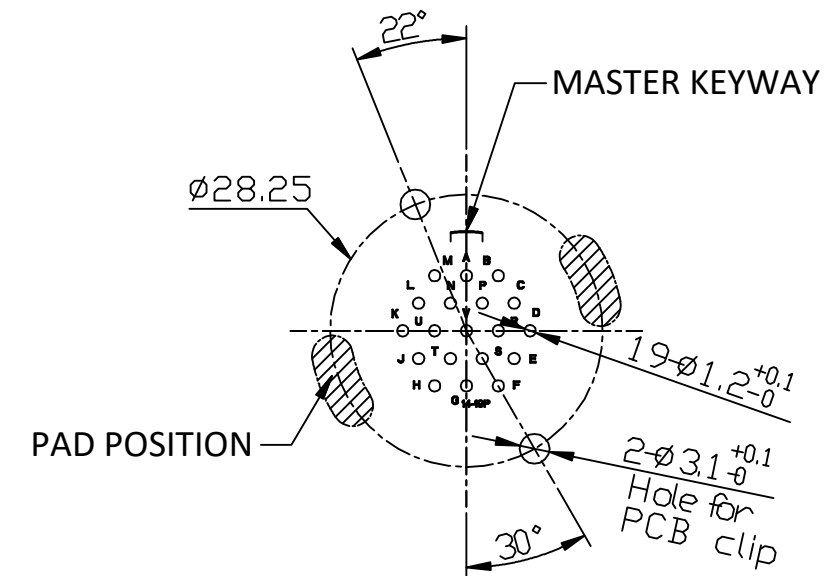
REVISIONS					
REV	ECD	DESCRIPTION	DATE	BY	APPR
A1	-	FIRST RELEASED	Jul-31-2019	Ronald	Tommy



MASTER KEYWAY



RECOMMEND MOUNTING HOLE



RECOMMEND PCB LAYOUT

Position number	X	Y
A	0.000	5.715
B	3.302	5.715
C	4.953	2.870
D	6.604	0.000
E	4.953	-2.870
F	3.302	-5.715
G	0.000	-5.715
H	-3.302	-5.715
J	-4.953	-2.870
K	-6.604	0.000
L	-4.953	2.870
M	-3.302	5.715
N	-1.651	2.870
P	1.651	2.870
R	3.302	0.000
S	1.651	-2.870
T	-1.651	-2.870
U	-3.302	0.000
V	0.000	0.000

NOTES: (UNLESS OTHERWISE SPECIFIED)

1. MATERIAL:

- SHELL: THERMOPLASTIC, UL94 V-0.
- INSERT: THERMOPLASTIC, UL94 V-0.
- O-RING: SILICONE RUBBER.
- SEAL GASKET: SILICONE RUBBER.
- JAM NUT: ALUMINIUM ALLOY, BLACK ANODIZING.
- CONTACT: COPPER ALLOY, GOLD PLATED.
- LOCKING POSTS: COPPER ALLOY, TIN PLATED.

2. SPECIFICATIONS:

- 2.1 RATED CURRENT: 7.5A (MAX).
- 2.2, RATED VOLTAGE: 250V (AC/DC).
- 2.3, OPERATING TEMPERATURE: -40C - 125C.
- 2.4 DIELECTRIC WITHSTANDING VOLTAGE: LESS THAN 2 MILLIAMPS CURRENT LEAKAGE@1500 VOLTS AC.
- 2.5 INSULATION RESISTANCE: 5000 MEGOHMS MIN.
- 2.6 IP--CLASS: IP67 AND IP69K IN THE MATED CONDITION.
- 2.7 MATING CYCLES DURABILITY: 500 CYCLES MIN.
- 2.8 RoHS COMPLIANT.

3. SUITABLE CONTACTS: 20# CONTACT

4. ALL DIMENSIONS ARE FOR REFERENCE USE ONLY.

KEY	PART NUMBER
N	RTS714ND19P0332
W	RTS714WD19P0332
X	RTS714XD19P0332
Y	RTS714YD19P0332
Z	RTS714ZD19P0332

QUANTITY	PART NUMBER	DESCRIPTION	ITEM
<b>MATERIALS LIST</b>			
<p><b>UNLESS OTHERWISE SPECIFIED</b></p> <p>1) All dimensions are in metric(mm).</p> <p>2) Tolerances are as follows:            1 PL DEC ±0.30 Fractions ±1/64            2 PL DEC ±0.15 Angles ±1°            3 PL DEC ±0.08</p> <p>3) Note reference = X</p>		<p><b>SIGNATURES</b>      <b>DATE</b></p> <p>DRAWN: Ronald      Jul-31-2019</p> <p>CHECKED: Martin      Jul-31-2019</p> <p>ENGINEER:</p> <p>APPROVAL: Tommy      Jul-31-2019</p> <p>CUSTOMER:</p>	
<p>MATERIAL SPECIFICATIONS:</p>		<p><b>Amphenol</b></p> <p>Sine Systems - www.amphenol-sine.com            44724 Morley Drive            Clinton Township, MI 48036</p>	
<p>PROCESS SPECIFICATIONS:</p>		<p>ECOMATE® AQUARIUS™, RECEPTACLE, JAM NUT, 19POS, PIN CONTACT, SIZE 14</p>	
<p>NEXT ASS'Y:</p>		<p>THIS DRAWING IS SUPPLIED FOR INFORMATION ONLY. DESIGN FEATURES, SPECIFICATIONS AND PERFORMANCE DATA SHOWN HEREON ARE THE PROPERTY OF THE AMPHENOL CORPORATION. NO RIGHTS OF REPRODUCTION ARE IMPLIED. ALL DIMENSIONS ARE SUBJECT TO NORMAL MANUFACTURING VARIATIONS.</p>	
		<p>SIZE: B    TYPE: C-    DWG NO: RTS714*D19P0332    REVISION: A1</p> <p>SCALE: NONE      SHEET 1 OF 1</p>	

TITLE: ECOMATE RECEPTACLE JAM NUT SIZE 14 19POS  
 DWG NO: RTS714\*D19P0332  
 REV: A1  
 SH: 1  
 DF: 1