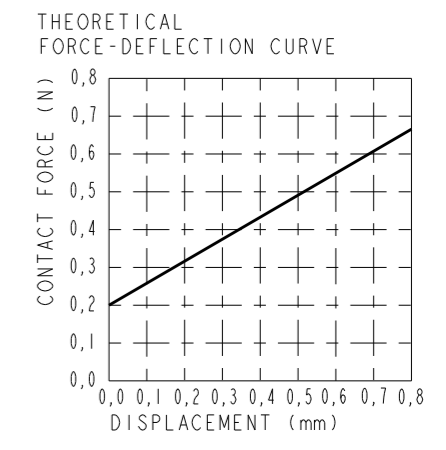
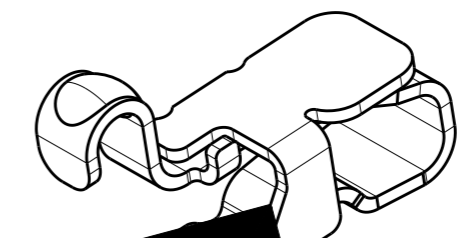
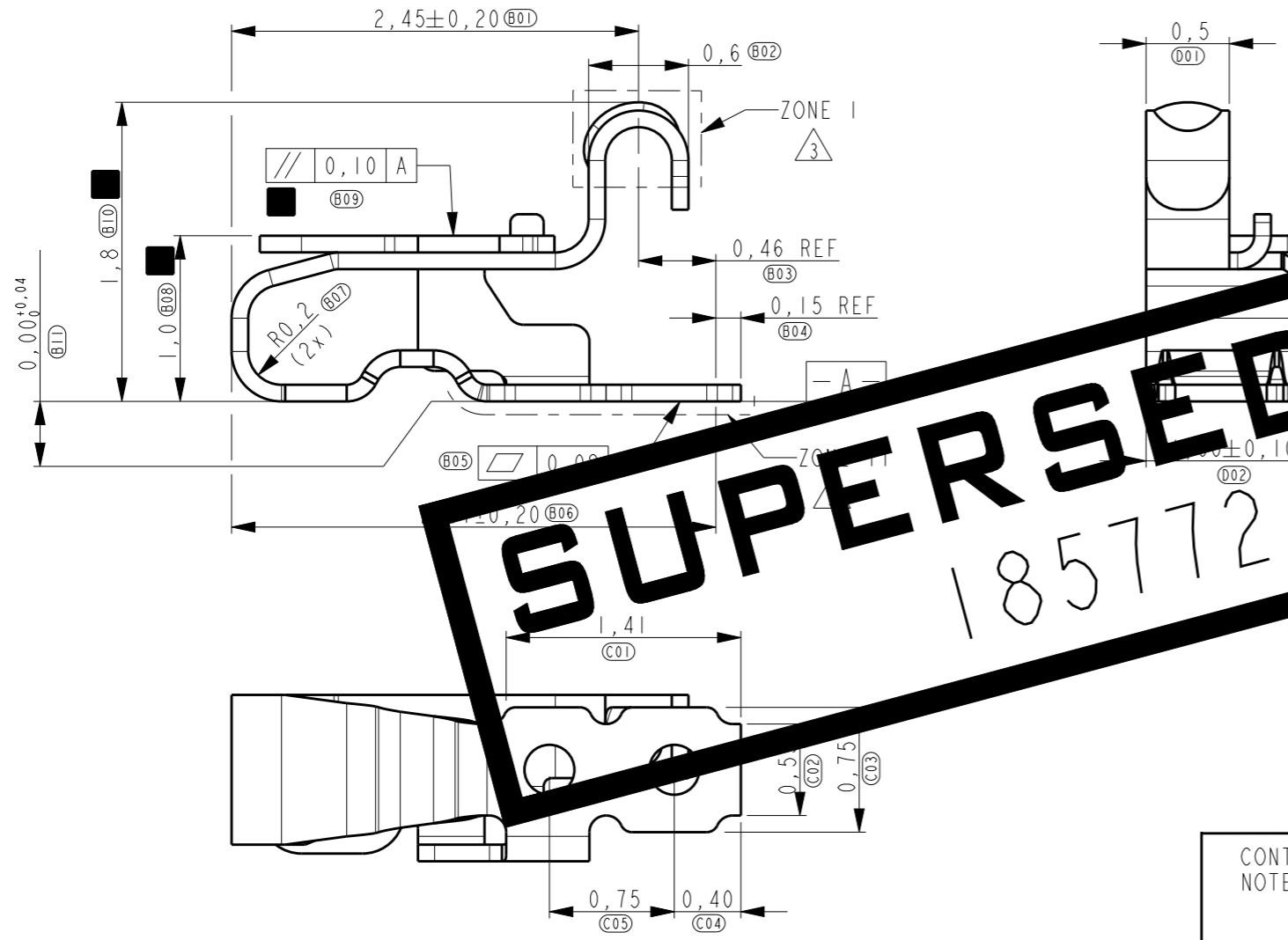
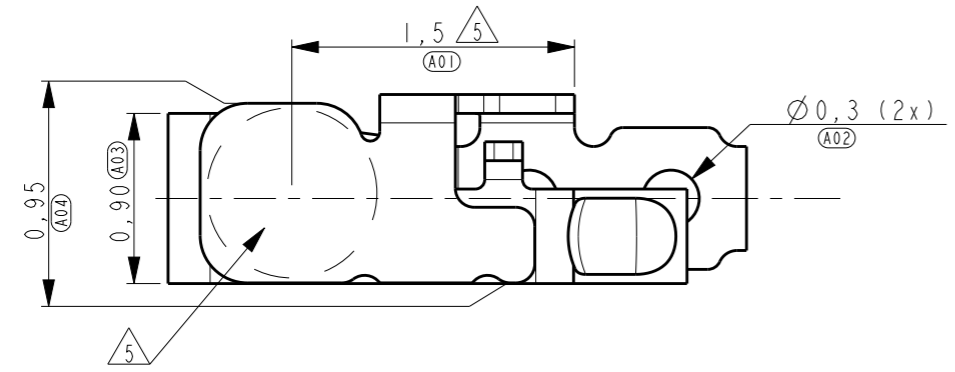


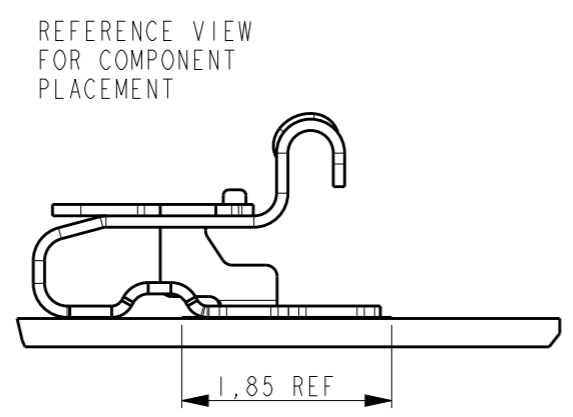
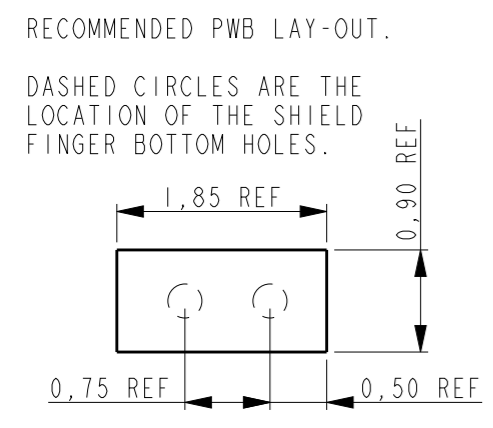
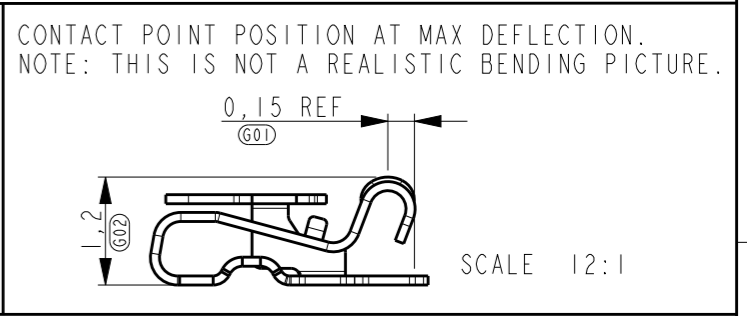
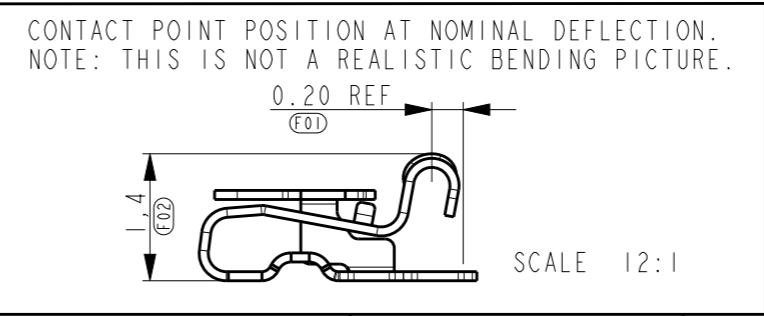
THIS DRAWING IS UNPUBLISHED. RELEASED FOR PUBLICATION
 © COPYRIGHT - BY TYCO ELECTRONICS CORPORATION. ALL RIGHTS RESERVED.

LOC	DIST	REVISIONS				
P	LTR	DESCRIPTION	DATE	DWN	APVD	
H	-	B	ECR-11-004258	25FEB2011	J.v.H	DH
		C	ECR-18-013637	16NOV2018	E.Z	W.H



SUPERSEDED BY:
 1857724-4

- NOTES:
- PART NUMBER: 1551281-4 AS SHOWN.
 - MATERIAL: TiCu.
 - PLATING: 1,3µm MIN. NICKEL UNDERLAYER ALL OVER
 ZONE I: 0,50µm MIN. GOLD
 ZONE II: GOLD FLASH
 - FORCE AT MIN DEFLECTION (AT 1,6mm) 0,20N MIN.
 FORCE AT MAX DEFLECTION (AT 1,2mm) 0,80N MAX.
 - INDICATED SURFACE TO BE USED AS PICK AND PLACE SURFACE.
 THE DASHED LINE INDICATES A Ø0,90mm VACUUM PICKER.
 - = CRITICAL DIMENSION WHICH EFFECTS FORM FIT & FUNCTION



THIS DRAWING IS A CONTROLLED DOCUMENT FOR TYCO ELECTRONICS CORPORATION
 IT IS SUBJECT TO CHANGE AND THE CONTROLLING ENGINEERING ORGANIZATION
 SHOULD BE CONTACTED FOR THE LATEST REVISION.

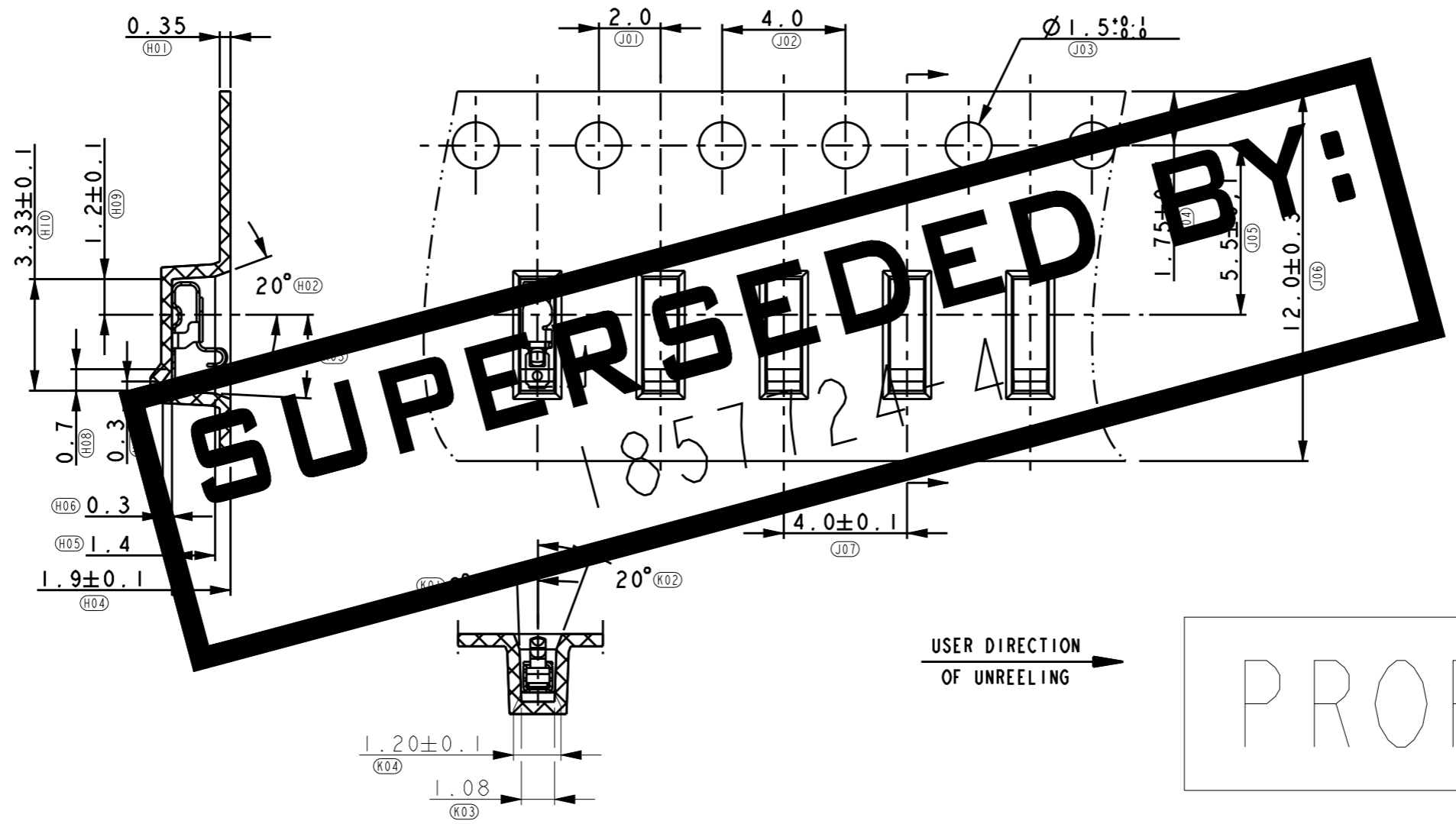
DIMENSIONS:	TOLERANCES UNLESS OTHERWISE SPECIFIED:
mm	
	0 PLC ±0,20
	1 PLC ±0,10
	2 PLC ±0,10
	3 PLC ±0,05
	4 PLC ±-
	ANGLES ±-
MATERIAL	FINISH
-	-

DWN	15-JUL-09
W. Jansen	
CHK	15-JUL-09
W. Jansen	
APVD	15-JUL-09
D. Halberstadt	
PRODUCT SPEC	
APPLICATION SPEC	
WEIGHT	0,0055g

		Tyco Electronics Nederland BV 's-Hertogenbosch, The Netherlands	
NAME: SPRING FINGER 1,8 mm LEFT			
SIZE	CAGE CODE	DRAWING NO	RESTRICTED TO
A3	00779	C=1551281	
CUSTOMER DRAWING		SCALE 20:1	SHEET 1 OF 2 REV C

THIS DRAWING IS UNPUBLISHED. RELEASED FOR PUBLICATION
 © COPYRIGHT - BY TYCO ELECTRONICS CORPORATION. ALL RIGHTS RESERVED.

LOC	DIST	REVISIONS					
H	-	P	LTR	DESCRIPTION	DATE	DWN	APVD
				SEE SHEET 1			



PROPOSAL

<small>THIS DRAWING IS A CONTROLLED DOCUMENT FOR TYCO ELECTRONICS CORPORATION IT IS SUBJECT TO CHANGE AND THE CONTROLLING ENGINEERING ORGANIZATION SHOULD BE CONTACTED FOR THE LATEST REVISION.</small>		DWN 15-JUL-09 W. Jansen		Tyco Electronics Nederland BV 's-Hertogenbosch, The Netherlands	
DIMENSIONS: mm		TOLERANCES UNLESS OTHERWISE SPECIFIED: 0 PLC ±0,20 1 PLC ±0,10 2 PLC ±0,10 3 PLC ±0,05 4 PLC ±- ANGLES ±-		NAME SPRING FINGER 1,8 mm LEFT	
MATERIAL -		FINISH -		PRODUCT SPEC - APPLICATION SPEC - WEIGHT 0,0055g	
		CUSTOMER DRAWING		SIZE A3 CAGE CODE 00779 DRAWING NO. C=1551281 RESTRICTED TO	
				SCALE 20:1 SHEET 2 OF 2 REV C	