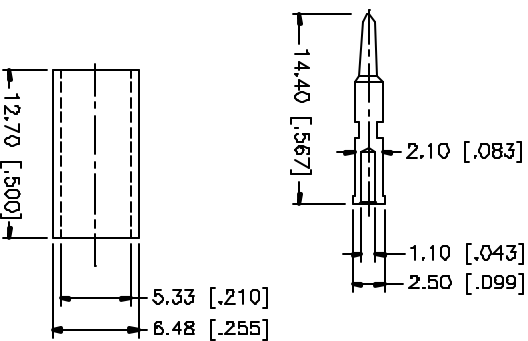
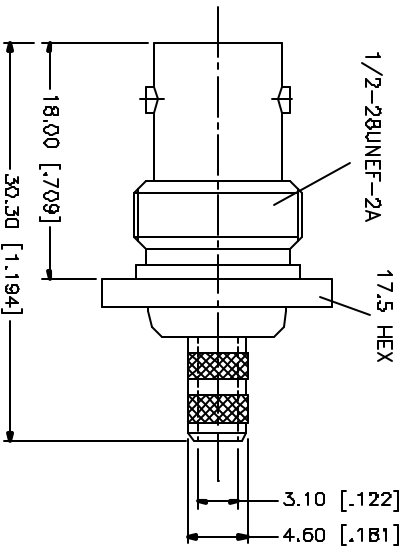
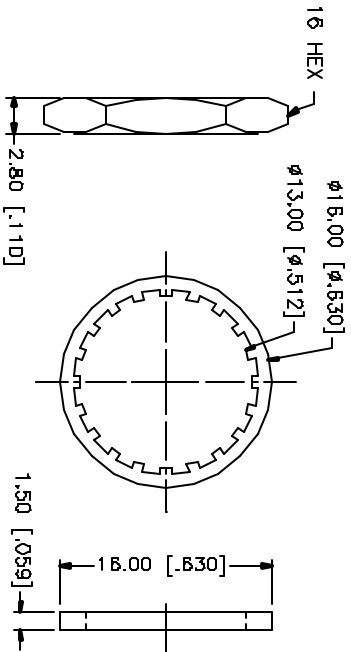
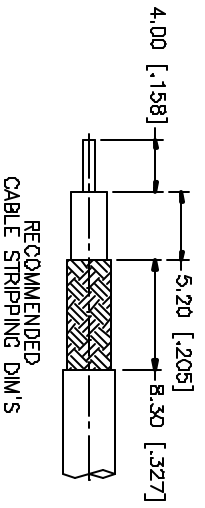


REV.	DATE	DESCRIPTION
A	11/27/02	MODIFY CONTACT PIN I.D. TO 1.1mm
B	08/15/04	REFORMAT DRAWING



- CRIMP NOTES:
1. CRIMPED FERRULE
HEX CRIMP SIZE .213"
 2. CRIMPED CONTACT PIN
HEX CRIMP SIZE .068"
 3. MAX. PANEL THICKNESS = 3.5mm

REV.	DATE	DESCRIPTION
B		
B		
7		
6		
5		
4		
3		
2		
1		

DESCRIPTION	MATERIAL	FINISH	QTY
FERRULE	COPPER	NICKEL	1
HEX NUT	BRASS	NICKEL	1
LOCK WASHER	BRASS	NICKEL	1
GASKET	RUBBER	RED	1
CONTACT PIN	BRASS	GOLD	1
INSULATOR	TEFLON	NATURAL	1
BODY	BRASS	NICKEL	1

UNITS: MILLIMETERS (SPECIFIED DIMENSIONS ARE IN MILLIMETERS UNLESS NOTED OTHERWISE) [1] USE SI UNITS AND FOR DIMENSIONS OTHERWISE SHOWN.	APPROVALS	DATE
UNITS: MILLIMETERS (SPECIFIED DIMENSIONS ARE IN MILLIMETERS UNLESS NOTED OTHERWISE) [1] USE SI UNITS AND FOR DIMENSIONS OTHERWISE SHOWN.	DRAWN G.R.S.	08/15/04
UNITS: MILLIMETERS (SPECIFIED DIMENSIONS ARE IN MILLIMETERS UNLESS NOTED OTHERWISE) [1] USE SI UNITS AND FOR DIMENSIONS OTHERWISE SHOWN.	CHECKED	
UNITS: MILLIMETERS (SPECIFIED DIMENSIONS ARE IN MILLIMETERS UNLESS NOTED OTHERWISE) [1] USE SI UNITS AND FOR DIMENSIONS OTHERWISE SHOWN.	REVIEWED	
UNITS: MILLIMETERS (SPECIFIED DIMENSIONS ARE IN MILLIMETERS UNLESS NOTED OTHERWISE) [1] USE SI UNITS AND FOR DIMENSIONS OTHERWISE SHOWN.	SHEET 1 OF 1	

DO NOT SCALE DRAWING	CAD FILE	DWG. NO.	REV. NO.	SIZE	SCALE
DO NOT SCALE DRAWING	G:/112/112202RP.DWG	112202RP.DWG		A	NA

Amphenol Connex

PART DESCRIPTION
BNC REVERSE POLARIZED BULKHEAD
CRIMP JACK (FOR RG58/U CABLE)

PART NO. 112202RP