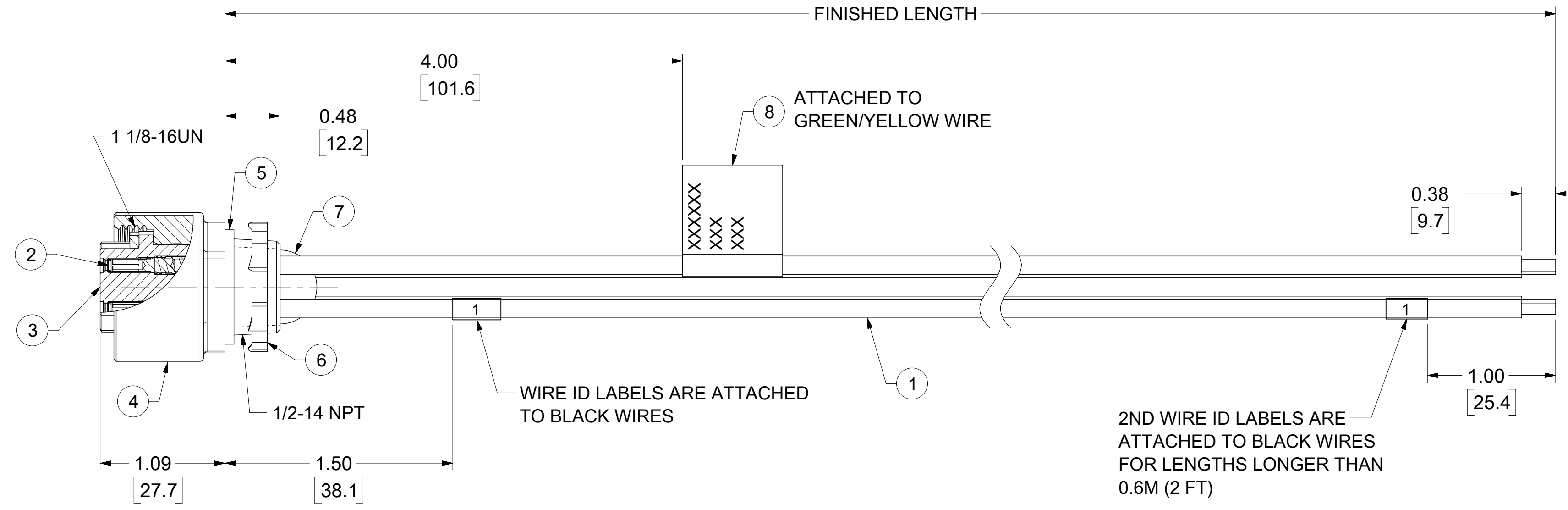
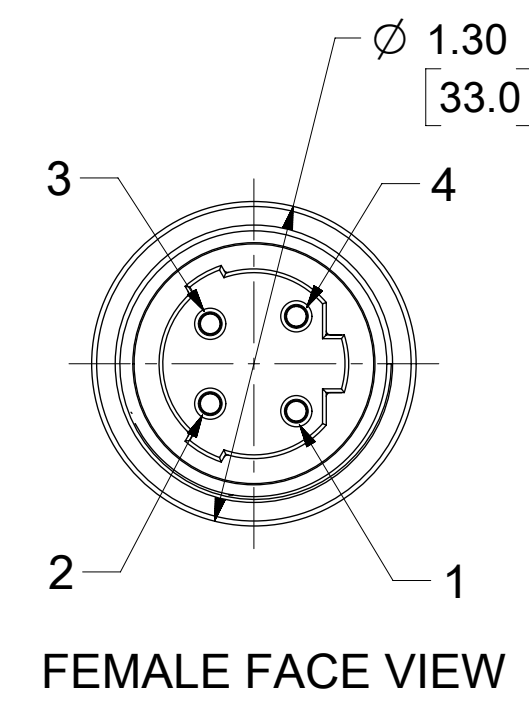
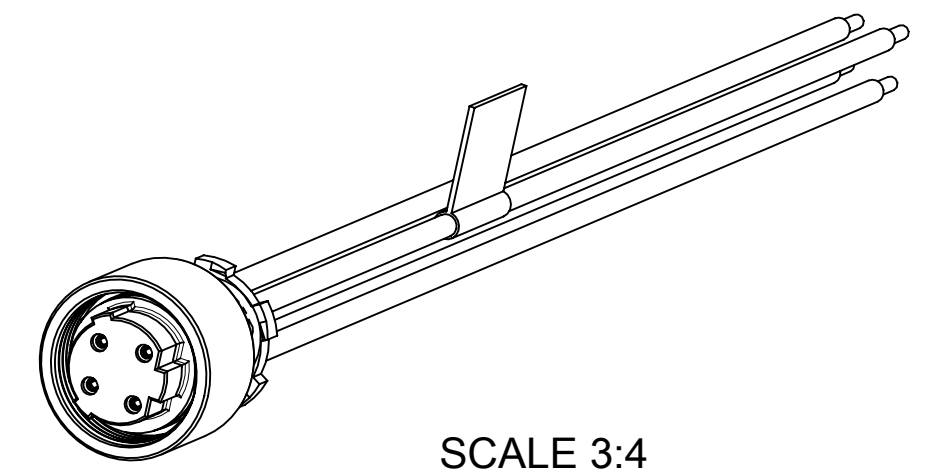


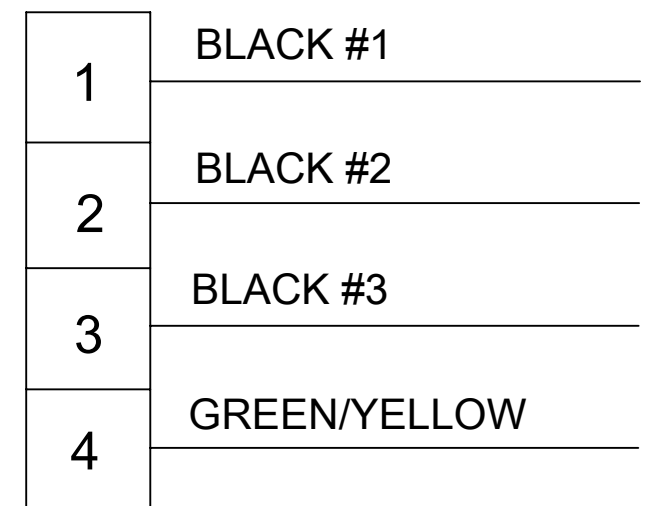
PART NO.	ENGINEERING NO.	FINISHED LENGTH
1300660320	3R4100A84M0033	0.3M (11.81 IN)
1300662019	3R4100A84M0203	2M (6 FT 6.74 IN)
1300662021	3R4100A84M0403	4M (13 FT 1.48 IN)

**CABLE LENGTH TOLERANCES**  
 <.3M [1FT]: +19mm-0 [+0.75in-0]  
 .3 - .9M [1 - 3FT]: +44.5mm-0 [+1.75in-0]  
 .9 - 1.8M [3 - 6FT]: +55.6mm-0 [+2.19in-0]  
 1.8 - 3.7M [6 - 12FT]: +88.9mm-0 [+3.50in-0]  
 3.7 - 7.3M [12 - 24FT]: +165.1mm-0 [+6.50in-0]  
 7.3-14.6M [24 - 48FT]: +317.5mm-0 [+12.50in-0]  
 14.6 - 30.5M [48-100FT]: +622.3mm-0 [+24.50in-0]  
 OVER 30M [100FT] +2% OF FINISHED LENGTH



- NOTES:**
1. MATERIAL: AS NOTED
  2. FINISH: AS NOTED
  3. ELECTRICAL:  
 VOLTAGE: 483V PER IEC60664 (B2)  
 600V PER UL2237  
 CURRENT: 25A
  4. TEMP RATING: -20°C TO +105°C (B2)
  5. PROTECTION: IP67 (WHEN MATED)
  6. UL LISTED FILE: 258922
  7. ALL DIMS ARE FOR REFERENCE UNLESS TOLERANCED OR NOTED OTHERWISE

### WIRING DIAGRAM



### PART NUMBER LEGEND (B2)

**3R4100A84M0033**

FINISHED LENGTH  
 M001 = 0.1 METER  
 M010 = 1 METER  
 M100 = 10 METER

8	FLAG LABEL	VINYL	YELLOW
7	POTTING MATERIAL	EPOXY	BLACK
6	LOCK NUT	STEEL	ZINC PLATED
5	GASKET	NITRILE	BLACK
4	RECEPTACLE SHELL	Cu ALLOY	NICKEL PLATED
3	FEMALE INSERT	TPE	BLACK
2	SOCKET CONTACT	Cu ALLOY	GOLD OVER NICKEL
1	#12-4 AWG, WIRE, 1015/TEW	PVC	SEE WIRING DIAGRAM
ITEM	DESCRIPTION	MATERIAL	FINISH

FUNCTIONAL SYMBOLS										THIS DRAWING CONTAINS INFORMATION THAT IS PROPRIETARY TO MOLEX ELECTRONIC TECHNOLOGIES, LLC AND SHOULD NOT BE USED WITHOUT WRITTEN PERMISSION																								
DIMENSION UNITS					SCALE					CURRENT REV DESC: UPDATED IEC VOLT, TEMP RATING, MATERIAL TABLE, BOM TABLE & TOL. TABLE																								
INCH/MM					1.3:1					EC NO: 718076 DRWN: VHANDI 2020/09/30 CHK'D: RSTONE 2022/08/18 APPR: BWOODMAN 2022/08/22 INITIAL REVISION: DRWN: TWOLDEGEBRIE 2016/07/11 APPR: BWOODMAN 2016/11/14																								
GENERAL TOLERANCES (UNLESS SPECIFIED)																																		
4 PLACES		±		MM		±		INCH							±																			
3 PLACES		±		MM		±		INCH							±																			
DIVISIONAL SYMBOLS										PRODUCT CUSTOMER DRAWING																								
1 PLACE					±					DOCUMENT NUMBER					DOC TYPE					DOC PART					REVISION									
0 PLACES					±					1300660320					PSD					000					B2									
ANGULAR TOL					± °					MATERIAL NUMBER					CUSTOMER					SHEET NUMBER														
DRAFT WHERE APPLICABLE MUST REMAIN WITHIN DIMENSIONS					THIRD ANGLE PROJECTION					DRAWING					SERIES					SEE TABLE					GENERAL MARKET					1 OF 1				