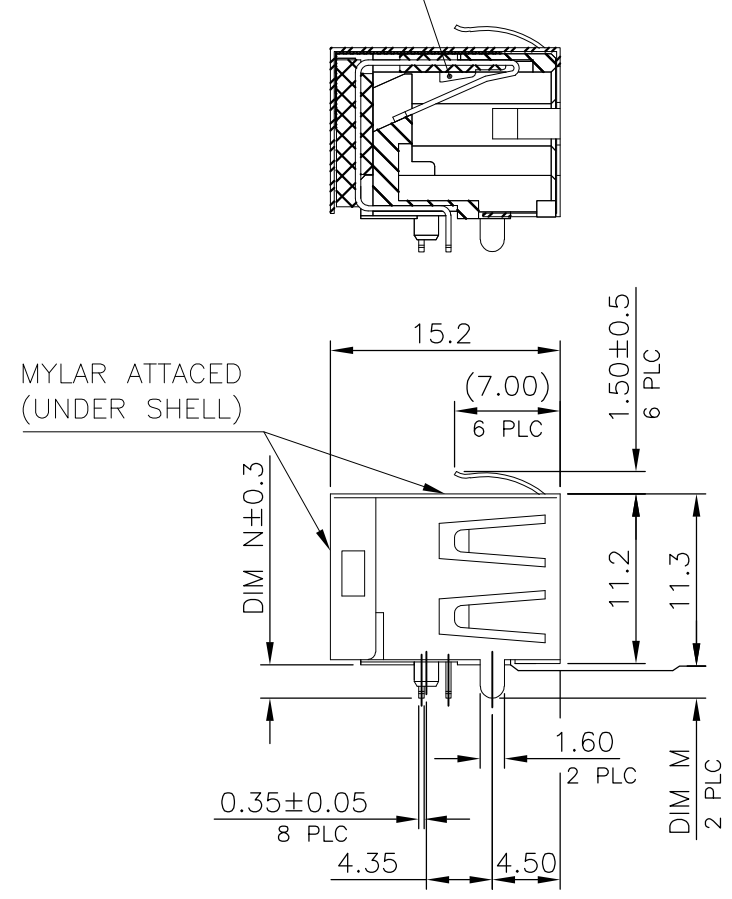


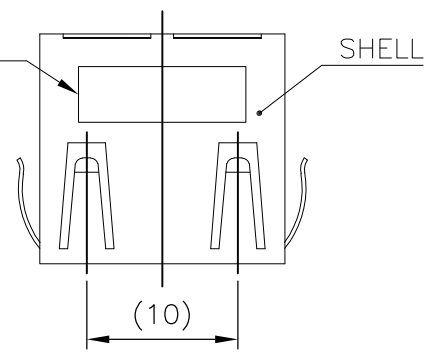
THIS DRAWING IS UNPUBLISHED. RELEASED FOR PUBLICATION
 © COPYRIGHT - By - ALL RIGHTS RESERVED.

REVISIONS					
P	LTR	DESCRIPTION	DATE	DWN	APVD
	B	REVISED ECO-16-016666)	03OCT2016	LL	SH

RJ11 PREVENTER



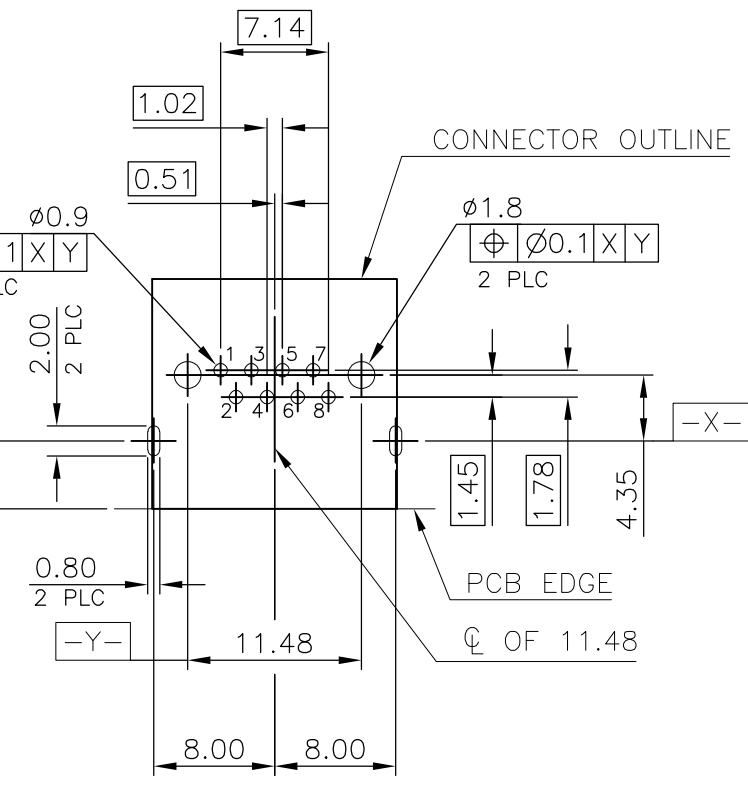
LOGO & DATA CODE



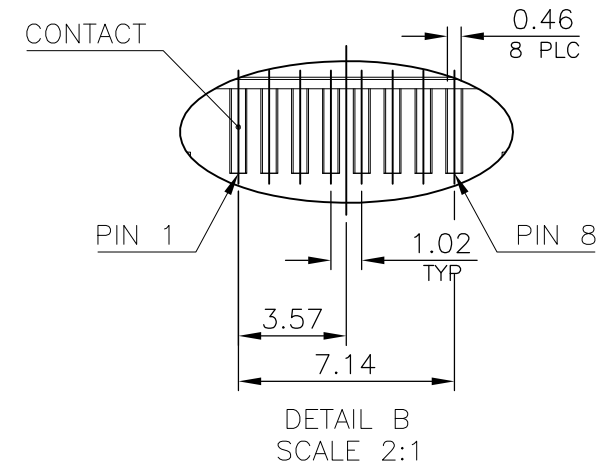
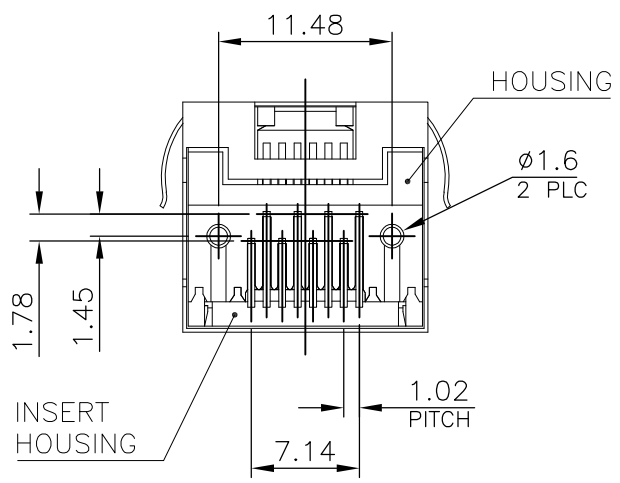
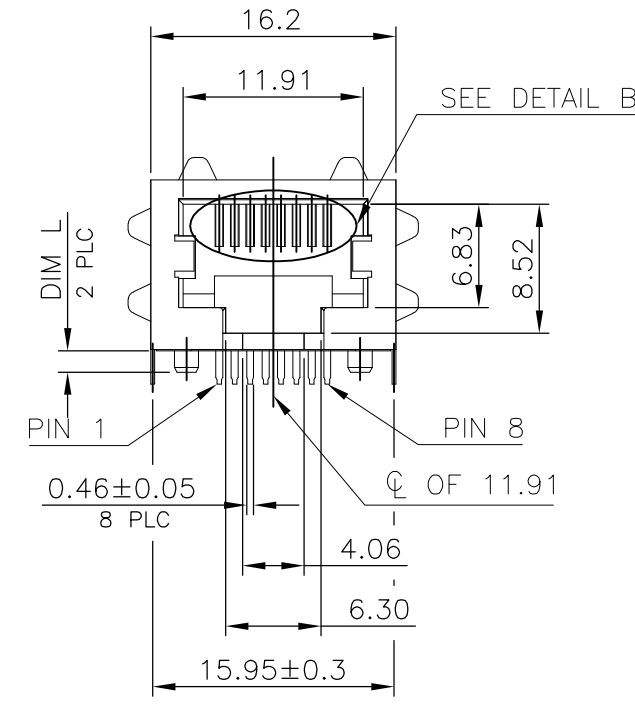
SHELL

NOTE:

- MATERIAL:
 - HOUSING: PA46, WITH 30% GF, UL94 V-0, BLACK COLOR.
 - INSERT HOUSING: PA46, WITH 30% GF, UL94 V-0, BLACK COLOR.
 - CONTACTS: PHOSPHOR BRONZE.
 - SHELL: BRASS.
 - MYLAR: SILICONE POLYMER
- FINISH:
 - CONTACTS: (SEE TABLE) GOLD PLATED ON CONTACT AREA. GOLD FLASH ON SOLDER TAIL. 1.27um [50u"] MIN. NICKEL UNDERPLATED OVERALL.
 - SHELL: 0.508um [20u"] MIN. NICKEL PLATED OVERALL.
- WAVE SOLDER CAPABLE TO 265°C PER TE SPEC 109-202, CONDITION B.



RECOMMENDED PCB THICKNESS: 1.6mm
 TOLERANCE: ±0.05 (TOP VIEW)



OBSOLETE	4.06	3.5	3.5	3.5	WITH	1.27um[50u"]	2041035-5
	3.97	2.2	2.2	1.4		0.762um[30u"]	2041035-3
					0.381um[15u"]	2041035-2	
					0.152um[6u"]	2041035-1	
WEIGHT (gram)	DIM N	DIM M	DIM L	SHELL	MIN. GOLD THICKNESS	PART NUMBER	

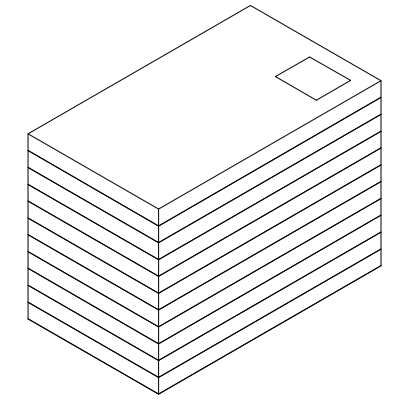
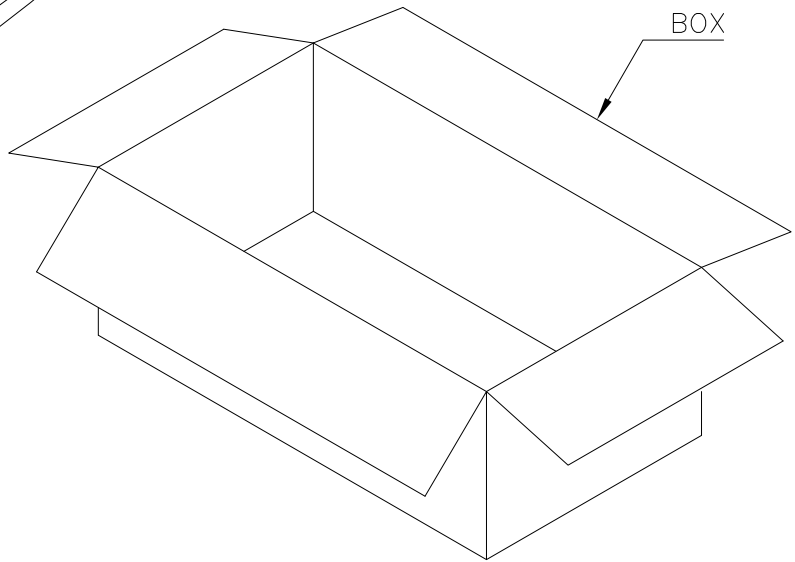
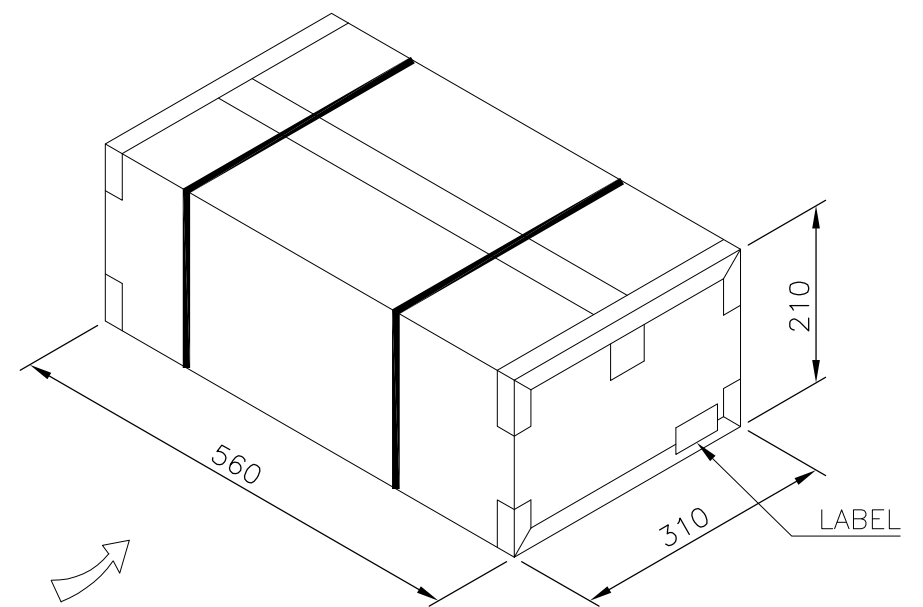
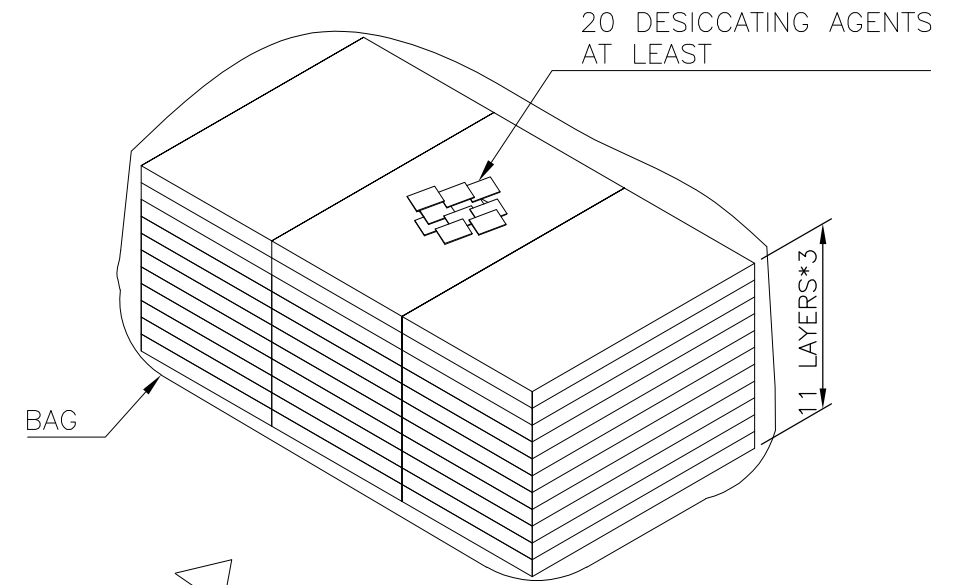
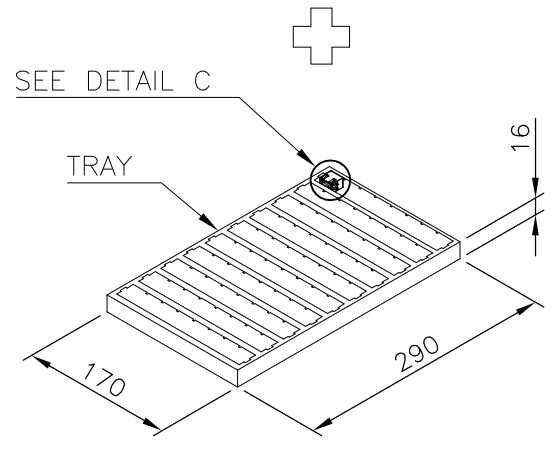
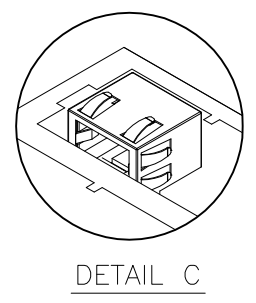
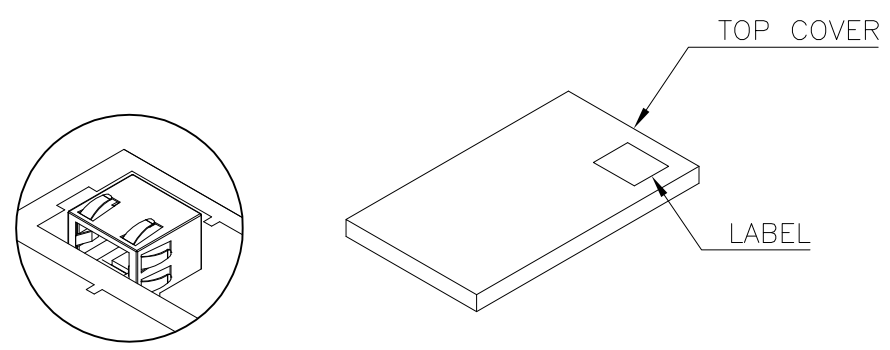
THIS DRAWING IS A CONTROLLED DOCUMENT.	
DIMENSIONS: mm	TOLERANCES UNLESS OTHERWISE SPECIFIED:
0 PLC ± -	1 PLC ± 0.3
1 PLC ± 0.3	2 PLC ± 0.2
2 PLC ± 0.2	3 PLC ± 0.15
3 PLC ± 0.15	4 PLC ± -
4 PLC ± -	ANGLES ± 3'
MATERIAL -	FINISH -

DWN B. HSING 20JUL2009	STE TE Connectivity			
CHK S. CHIEN 20JUL2009				
APVD W. KODAMA 20JUL2009	NAME			
PRODUCT SPEC 108-57779	MODULAR JACK CONNECTOR			
APPLICATION SPEC	RJ45, 8P8C, TAB DOWN			
	SIDE ENTRY, DIP TYPE, H=11.3MM			
WEIGHT SEE TABLE	SIZE A3	CAGE CODE 00779	DRAWING NO C-2041035	RESTRICTED TO -
CUSTOMER DRAWING	SCALE 1:1	SHEET 1 OF 3	REV B	

THIS DRAWING IS UNPUBLISHED. RELEASED FOR PUBLICATION
 © COPYRIGHT - By - ALL RIGHTS RESERVED.

REVISIONS					
P	LTR	DESCRIPTION	DATE	DWN	APVD
-	-	SEE SHEET 1	-	-	-

- NOTES:
- MATERIAL:
 - 1.1 TRAY: PET
 - 1.2 TOP TRAY: PET
 - 1.3 AIRTIGHT BAG: PET
 - 1.4 CARTON: CORRUGATED FIBER.
 - DIMENSION: SEE DRAWING
 - QUANTITY: SEE TABLE
 - WEIGHT: SEE TABLE



GROSS WEIGHT	NET WEIGHT	PCS/ TRAY	TRAY/ BOX	PCS/ BOX	PART NUMBER
10.2 Kg	7.1 Kg	33	90	2970	1-2041035-5
					1-2041035-4
					2041035-5
					2041035-4
13.6 Kg	10.5 Kg	33	80	2640	2041035-3
					2041035-2
					2041035-1

THIS DRAWING IS A CONTROLLED DOCUMENT.		DWN B. HSING 20JUL2009	STE TE Connectivity		
DIMENSIONS: mm		CHK S. CHIEN 20JUL2009			
TOLERANCES UNLESS OTHERWISE SPECIFIED:		APVD W. KODAMA 20JUL2009	NAME		
0 PLC ± -		PRODUCT SPEC	MODULAR JACK CONNECTOR		
1 PLC ± 0.3		108-57779	RJ45, 8P8C, TAB DOWN		
2 PLC ± 0.2		APPLICATION SPEC	SIDE ENTRY, DIP TYPE, H=11.3MM		
3 PLC ± 0.15		WEIGHT	SIZE	CAGE CODE	DRAWING NO
4 PLC ± -		-	A3	00779	C-2041035
ANGLES ± 3'		CUSTOMER DRAWING	SCALE	SHEET	REV
FINISH		-	1:1	3 OF 3	B