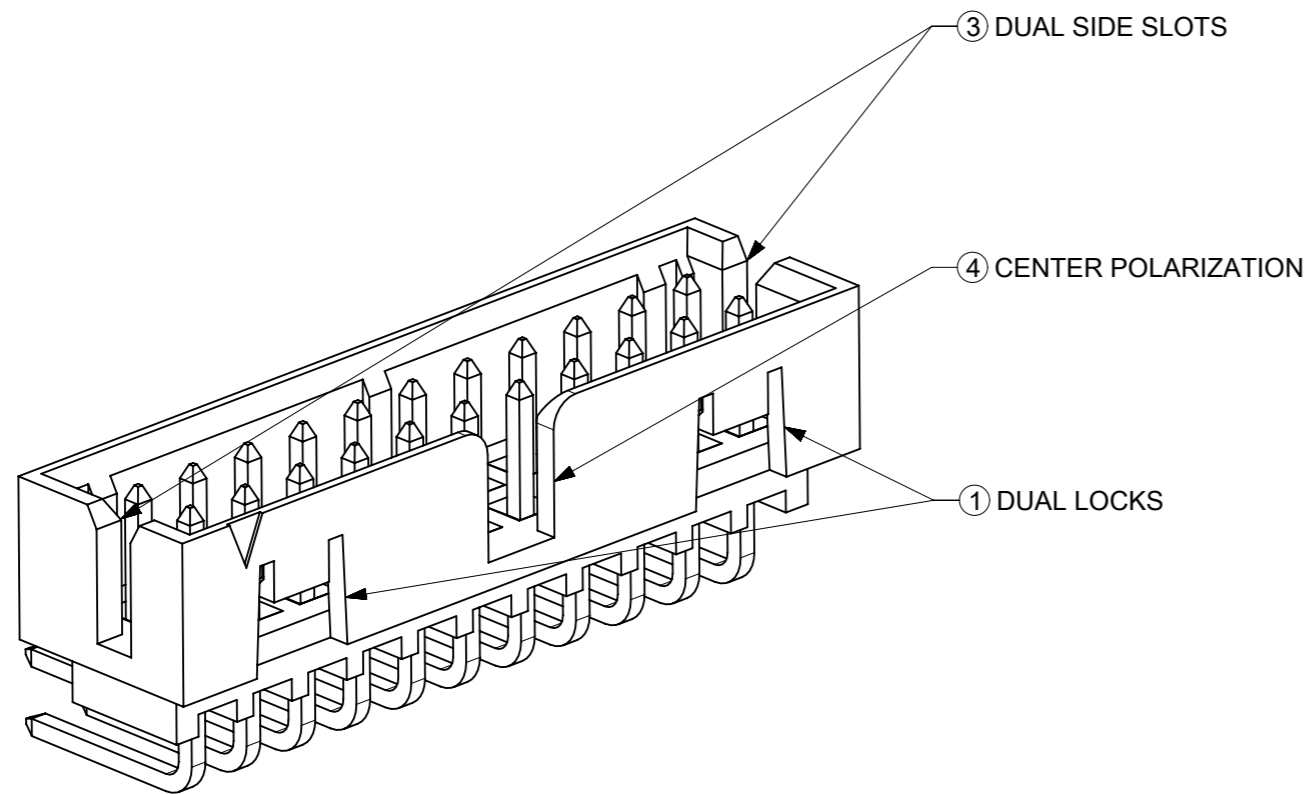
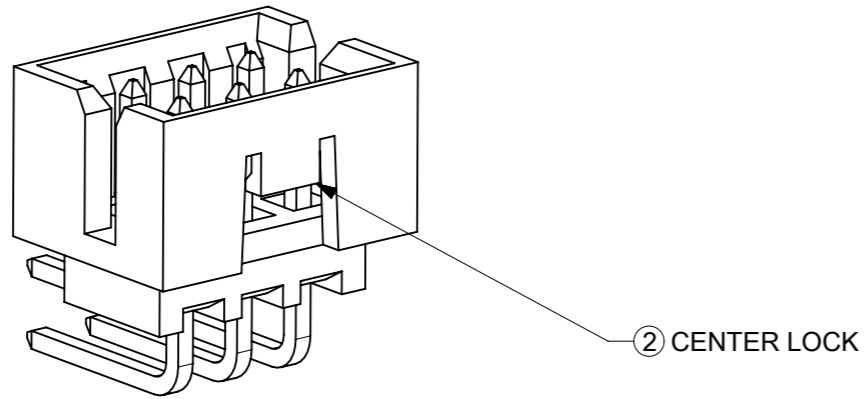


FEATURES SELECTION GUIDE



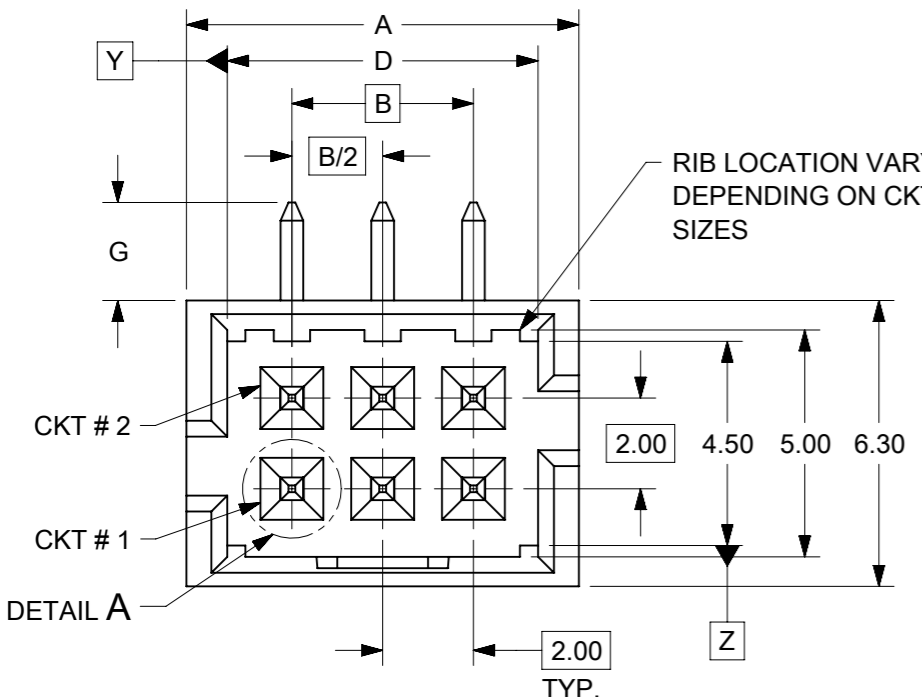
CIRCUIT SIZE	FEATURES				SHEET NO
	FRICTION LOCKS		③ DUAL SIDE SLOTS	④ CENTER POLARIZATION	
	① DUAL	② CENTER			
4 TO 6	N.A	N.A	YES	N.A	2 - 3
	N.A	YES	YES	N.A	
8 TO 12	N.A	N.A	YES	YES	4 - 5
	N.A	YES	YES	N.A	
14 TO 50	YES	N.A	YES	YES	6 - 9
	N.A	N.A	YES	YES	

PACKAGING SPECIFICATION TABLE

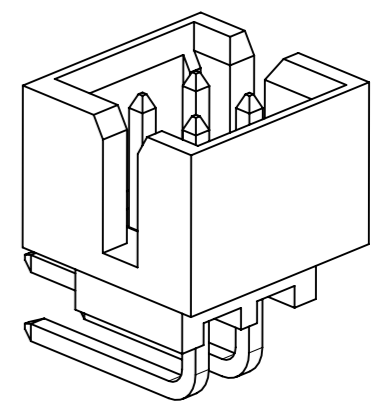
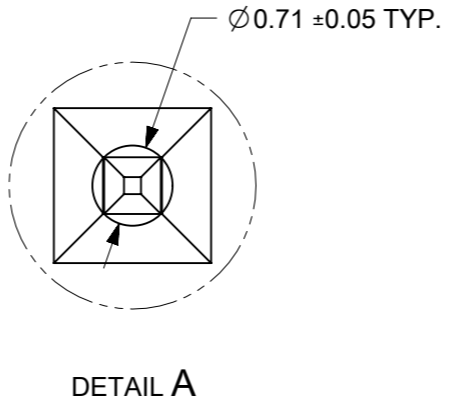
TAPE AND REEL PACKAGING	PK-87831-300
TUBE STANDARD PACKAGING	PK-87831-001
TUBE NON-STANDARD PACKAGING FOR: 87833-0861 87833-1420	PK-87831-002

THIS DRAWING CONTAINS INFORMATION THAT IS PROPRIETARY TO MOLEX ELECTRONIC TECHNOLOGIES, LLC AND SHOULD NOT BE USED WITHOUT WRITTEN PERMISSION

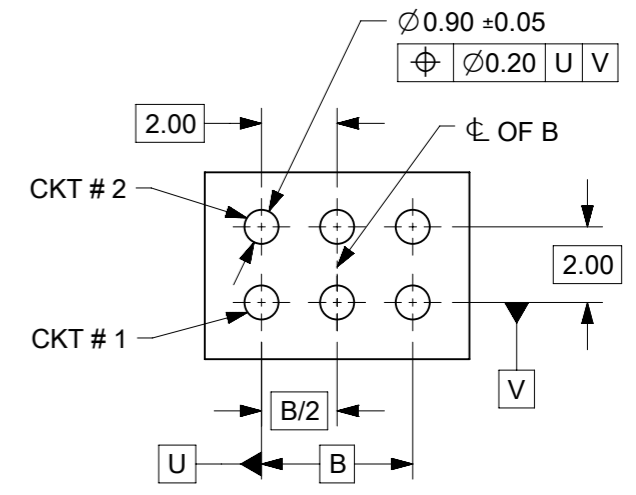
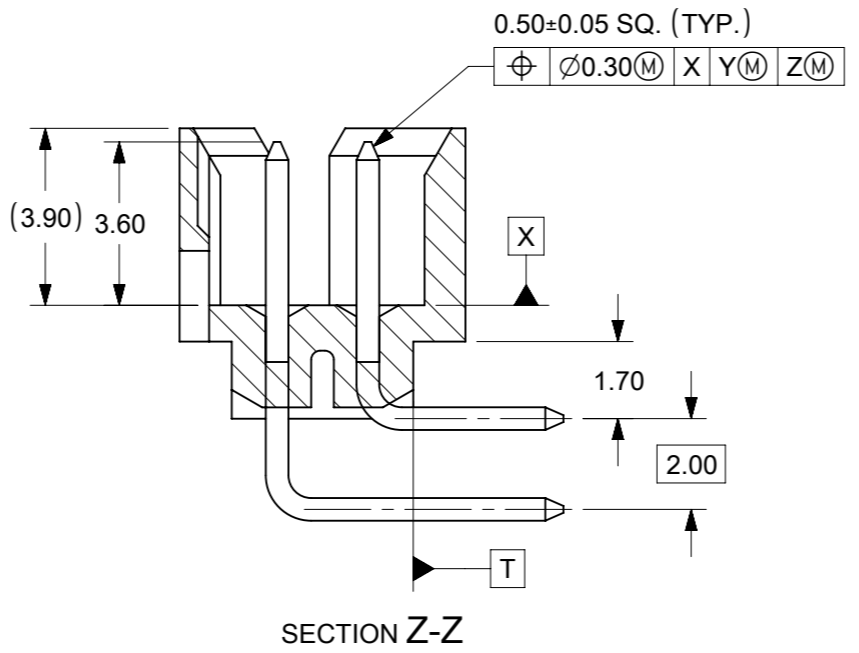
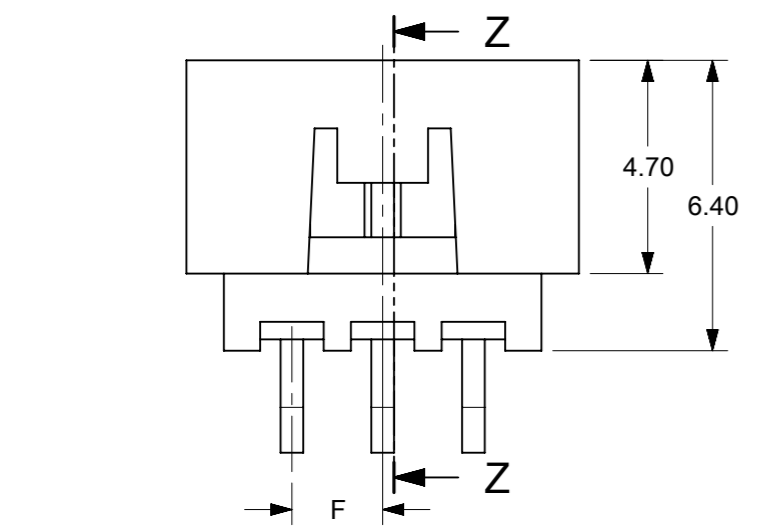
EC NO: 727481 DRWN: DANUSA CHK'D: DANUSA REV APPR: MIRAMAKRISHNA	2022/11/07	GENERAL TOLERANCES (UNLESS SPECIFIED)		DIMENSION UNITS		SCALE							
	2022/11/07	MM	INCH	MM	NTS	DRWN BY						DATE	
	2022/11/07	4 PLACES	±	±	GMENARLY		2015/09/29		MILLIGRID, 2MM PITCH SHROUDED HEADER R/A, THROUGH HOLE				
		3 PLACES	±	±	CHK'D BY		DATE						
		2 PLACES	± 0.2	±	CGOH		2015/10/30						
	1 PLACES	±	±	APPR BY		DATE		PRODUCT CUSTOMER DRAWING					
	0 PLACES	±	±	KHLIM		2015/11/03							
	ANGULAR TOL = 3.0			DRAWING SIZE	THIRD ANGLE PROJECTION			SERIES	MATERIAL NUMBER	CUSTOMER			
	DRAFT WHERE APPLICABLE MUST REMAIN WITHIN DIMENSIONS			A3				87833	SEE TABLE	GENERAL MARKET			
								DOCUMENT NUMBER		DOC TYPE	DOC PART	SHEET NUMBER	
								SD-87833-0001		PSD	001	1 OF 9	



4 TO 6 CIRCUITS



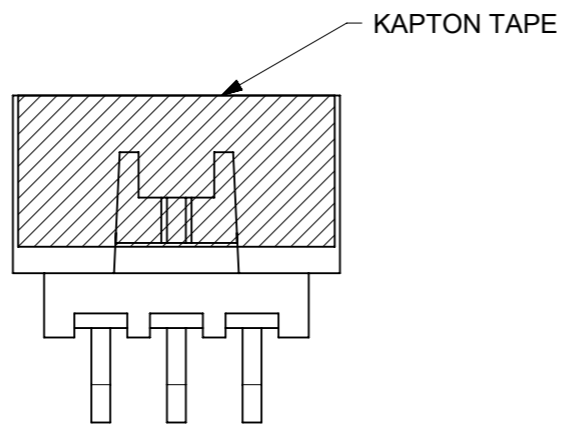
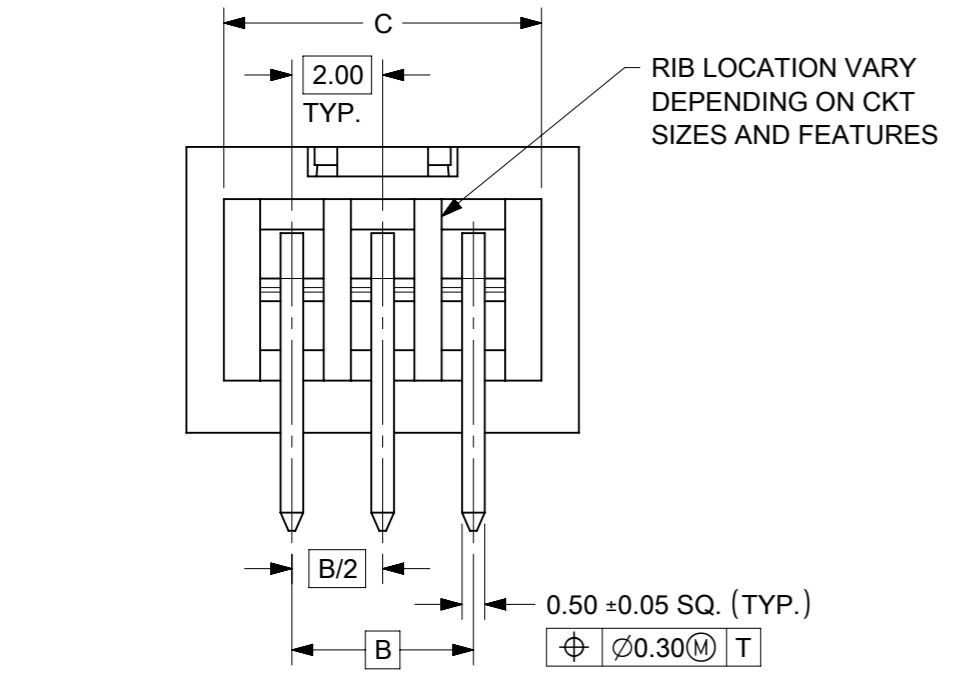
ISO VIEW OF HEADER
DUAL SIDE SLOTS



RECOMMENDED PCB LAYOUT

NOTES:

1. MATERIALS:
HOUSING: 30% GF, NYLON, UL94V-0, COLOR: BLACK.
PIN: 0.50mm SQ. PHOSPHOR BRONZE.
2. FINISHES: REFER TO PLATING OPTIONS.
3. PRODUCT SPECIFICATION: PS-87831-027
4. PACKAGING SPECIFICATION: SEE PACKAGING SPECS TABLE ON SHEET 1
5. MATES WITH: A. MOLEX CRIMP RECEPTACLE HOUSING: 51110 SERIES AND CRIMP TERMINAL: 50394 SERIES.
B. MOLEX 2MM MILLIGRID DUAL ROW IDT: 87568 SERIES.
C. MOLEX 2MM MILLIGRID DUAL ROW RECEPTACLE: 79107 (GOLD PLATED), 78787 (TIN PLATED)
6. FOR ILLUSTRATION PURPOSE, 6 CIRCUITS HEADER IS SHOWN.



THIS DRAWING CONTAINS INFORMATION THAT IS PROPRIETARY TO MOLEX ELECTRONIC TECHNOLOGIES, LLC AND SHOULD NOT BE USED WITHOUT WRITTEN PERMISSION

EC NO: 727481 DRWN: DANUSA CHK'D: DANUSA REV APPR: MIRAMAKRISHNA	2022/11/07	GENERAL TOLERANCES (UNLESS SPECIFIED)		DIMENSION UNITS	SCALE	molex MILLIGRID, 2MM PITCH SHROUDED HEADER R/A, THROUGH HOLE
	2022/11/07	MM	INCH	MM	NTS	
		4 PLACES	±	±	DRWN BY	DATE
		3 PLACES	±	±	GMENARLY	2015/09/29
		2 PLACES	± 0.2	±	CHK'D BY	DATE
		1 PLACES	±	±	CGOH	2015/10/30
		0 PLACES	±	±	APPR BY	DATE
					KHLIM	2015/11/03
		ANGULAR TOL = 3.0		DRAWING SIZE	THIRD ANGLE PROJECTION	
		DRAFT WHERE APPLICABLE MUST REMAIN WITHIN DIMENSIONS		A3		
RELEASE STATUS	P1	RELEASE DATE	2022/11/07	17:03:16	SERIES	87833
					MATERIAL NUMBER	SEE TABLE
					CUSTOMER	GENERAL MARKET
					DOCUMENT NUMBER	SD-87833-0001
					DOC TYPE	PSD
					DOC PART	001
					SHEET NUMBER	2 OF 9


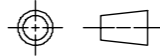
4 TO 6 CIRCUITS

CKT SIZE	ASSY. P/N WITHOUT KAPTON IN TUBE	ASSY. P/N WITH KAPTON IN TUBE	ASSY. P/N WITH KAPTON IN T&R	PLATING OPTIONS	FRICTION LOCKS		DUAL SIDE SLOTS	CENTER POLARIZATION	DIMENSION							
					DUAL	CENTER			A	B	C	D	E	F	G (SOLDER TAIL)	
4	87833-0419	N.A	N.A	1	N.A	N.A	YES	N.A	6.65	2.00	5.00	4.85	N.A	N.A	2.16	
	87833-0420	N.A	N.A	2												
	87833-0421	N.A	N.A	3												
	87833-5920	N.A	N.A	2	N.A	N.A	YES	N.A						N.A	1.00	3.18
	87833-0431	87833-0441	87833-0451	2	N.A	YES	YES	N.A								
	87833-0432	N.A	N.A	3	N.A	YES	YES	N.A								
	87833-0461	N.A	N.A	2	N.A	YES	YES	N.A								
6	87833-0619	N.A	N.A	1	N.A	N.A	YES	N.A	8.65	4.00	7.00	6.85	N.A	N.A	2.16	
	87833-0620	N.A	87833-0626	2												
	87833-0621	N.A	N.A	3												
	87833-6420	N.A	N.A	2	N.A	N.A	YES	N.A						N.A	2.00	3.18
	87833-0631	87833-0641	87833-0651	2	N.A	YES	YES	N.A								
	87833-0632	N.A	N.A	3	N.A	YES	YES	N.A								
	87833-0661	N.A	N.A	2	N.A	YES	YES	N.A								
	87833-0624	N.A	N.A	2	N.A	N.A	YES	N.A						N.A	2.00	3.18
	87833-0625	N.A	N.A	3												

PLATING OPTIONS:

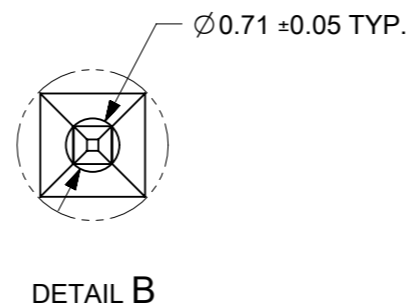
- 1 - 0.05-0.13µm/2-5µin GOLD IN CONTACT AREA AND
1.88µm/75µin MIN. MATTE TIN IN SOLDER TAIL AREA OVER
1.27µm/50µin MIN. NICKEL OVERALL.
- 2 - 0.38µm/15µin MIN. GOLD IN CONTACT AREA AND
1.88µm/75µin MIN. MATTE TIN IN SOLDER TAIL AREA OVER
1.27µm/50µin MIN. NICKEL OVERALL.
- 3 - 0.76µm/30µin MIN. GOLD IN CONTACT AREA AND
1.88µm/75µin MIN. MATTE TIN IN SOLDER TAIL AREA OVER
1.27µm/50µin MIN. NICKEL OVERALL.

THIS DRAWING CONTAINS INFORMATION THAT IS PROPRIETARY TO MOLEX ELECTRONIC TECHNOLOGIES, LLC AND SHOULD NOT BE USED WITHOUT WRITTEN PERMISSION

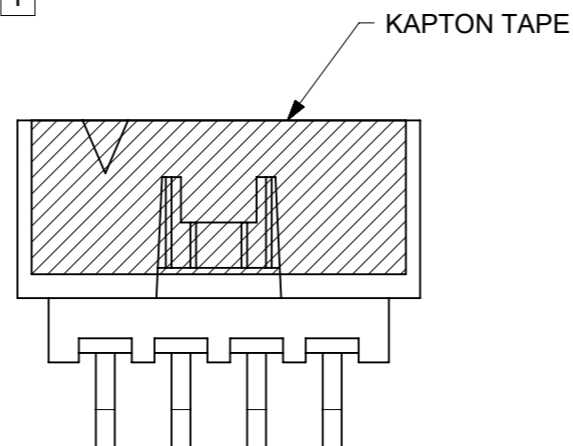
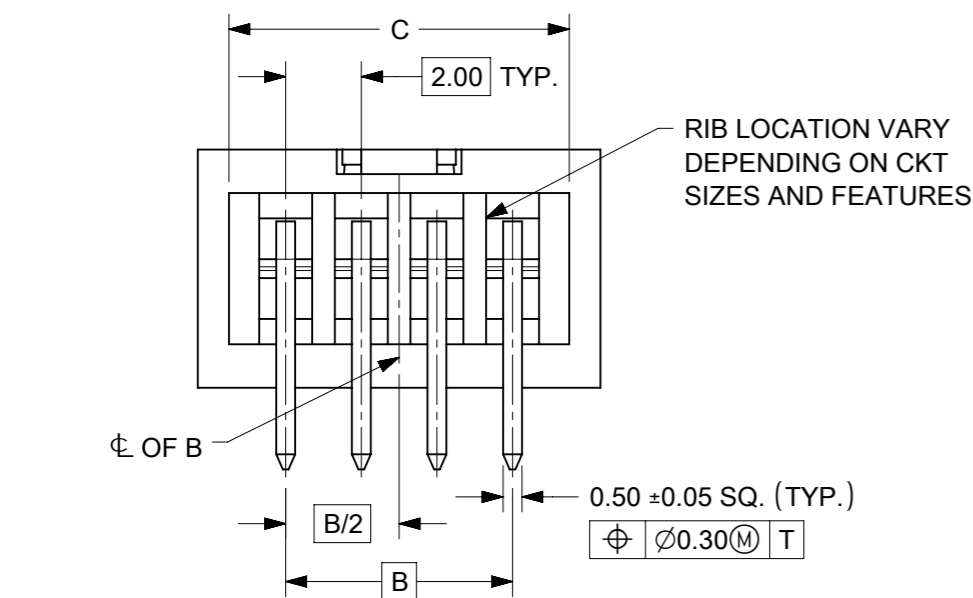
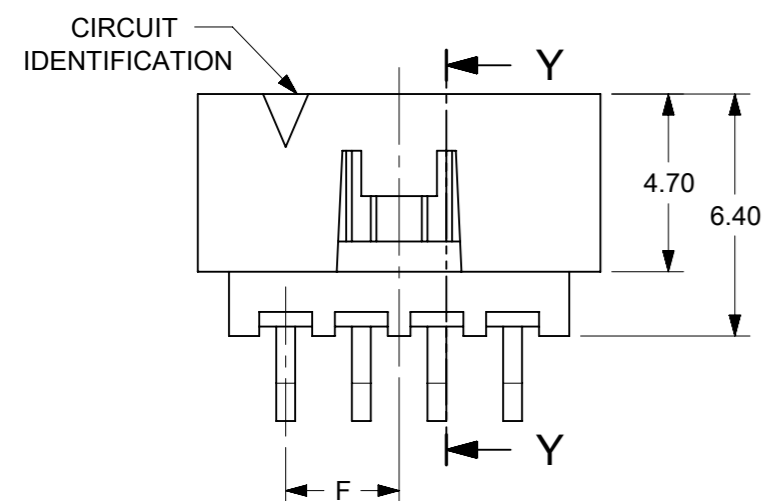
EC NO: 727481 DRWN: DANUSA CHK'D: DANUSA REV APPR: MIRAMAKRISHNA	2022/11/07	2022/11/07	2022/11/07	GENERAL TOLERANCES (UNLESS SPECIFIED)		DIMENSION UNITS		SCALE					
				MM	INCH	MM	NTS						
	4 PLACES	±	±	DRWN BY	DATE	MILLIGRID, 2MM PITCH SHROUDED HEADER R/A, THROUGH HOLE							
	3 PLACES	±	±	GMENARLY	2015/09/29								
	2 PLACES	± 0.2	±	CHK'D BY	DATE	PRODUCT CUSTOMER DRAWING							
	1 PLACES	±	±	CGOH	2015/10/30								
0 PLACES	±	±	APPR BY	DATE	SERIES: 87833 MATERIAL NUMBER: SEE TABLE CUSTOMER: GENERAL MARKET								
			KHLIM	2015/11/03									
ANGULAR TOL = 3.0				DRAWING SIZE	THIRD ANGLE PROJECTION	DOCUMENT NUMBER				DOC TYPE	DOC PART	SHEET NUMBER	
DRAFT WHERE APPLICABLE MUST REMAIN WITHIN DIMENSIONS				A3		SD-87833-0001				PSD	001	3 OF 9	

RELEASE STATUS	P1	RELEASE DATE	2022/11/07	17:03:16
----------------	----	--------------	------------	----------

8 TO 12 CIRCUITS



ISO VIEW OF HEADER WITH CENTER POLARIZATION AND DUAL SIDE SLOTS



- NOTES:
- MATERIALS:
HOUSING: 30% GF, NYLON, UL94V-0, COLOR: BLACK
PIN: 0.50mm SQ. PHOSPHOR BRONZE.
 - FINISHES: REFER TO PLATING OPTIONS.
 - PRODUCT SPECIFICATION: PS-87831-027
 - PACKAGING SPECIFICATION: SEE PACKAGING SPECS TABLE ON SHEET 1
 - MATES WITH: A. MOLEX CRIMP RECEPTACLE HOUSING: 51110 SERIES AND CRIMP TERMINAL: 50394 SERIES.
B. MOLEX 2mm MILLIGRID DUAL ROW IDT: 87568 SERIES.
C. MOLEX 2mm MILLIGRID DUAL ROW RECEPTACLE: 79107 (GOLD PLATED), 78787 (TIN PLATED)
 - FOR ILLUSTRATION PURPOSE, 8 CIRCUIT HEADER IS SHOWN.

THIS DRAWING CONTAINS INFORMATION THAT IS PROPRIETARY TO MOLEX ELECTRONIC TECHNOLOGIES, LLC AND SHOULD NOT BE USED WITHOUT WRITTEN PERMISSION

EC NO: 727481 DRWN: DANUSA CHK'D: DANUSA REV APPR: MIRAMAKRISHNA	2022/11/07	GENERAL TOLERANCES (UNLESS SPECIFIED)		DIMENSION UNITS		SCALE		<p>MILLIGRID, 2MM PITCH SHROUDED HEADER R/A, THROUGH HOLE</p> <p>PRODUCT CUSTOMER DRAWING</p> <p>SERIES: 87833 MATERIAL NUMBER: SEE TABLE CUSTOMER: GENERAL MARKET</p> <p>DOCUMENT NUMBER: SD-87833-0001 DOC TYPE: PSD DOC PART: 001 SHEET NUMBER: 4 OF 9</p>			
	2022/11/07	MM	INCH	MM	NTS						
	2022/11/07	4 PLACES	±	±	DRWN BY: GMENARLY	DATE: 2015/09/29					
		3 PLACES	±	±	CHK'D BY: CGOH	DATE: 2015/10/30					
		2 PLACES	±	0.2	±	APPR BY: KHLIM	DATE: 2015/11/03				
	1 PLACES	±	±	DRAWING SIZE: A3		THIRD ANGLE PROJECTION					
	0 PLACES	±	±	ANGULAR TOL = 3.0							
		DRAFT WHERE APPLICABLE MUST REMAIN WITHIN DIMENSIONS									


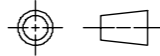
8 TO 12 CIRCUITS

CKT SIZE	ASSY. P/N WITHOUT KAPTON IN TUBE	ASSY. P/N WITH KAPTON IN TUBE	ASSY. P/N WITH KAPTON IN T&R	PLATING OPTIONS	FRICTION LOCKS		DUAL SIDE SLOTS	CENTER POLARIZATION	DIMENSION							
					DUAL	CENTER			A	B	C	D	E	F	G (SOLDER TAIL)	
8	87833-0819	N.A	N.A	1	N.A	N.A	YES	YES	10.65	6.00	9.00	8.85	N.A	N.A	2.16	
	87833-0820	N.A	N.A	2												
	87833-0821	N.A	87833-7621	3												
	87833-6320	N.A	N.A	2	N.A	N.A	YES	YES						N.A	3.00	2.16
	87833-6321	N.A	N.A	3												
	87833-0831	87833-0841	87833-0851	2	N.A	YES	YES	N.A						3.00	3.18	
	87833-0832	N.A	N.A	3												
	87833-0861	N.A	N.A	2	N.A	YES	YES	N.A						3.00	3.18	
	87833-0824	N.A	N.A	2												
	87833-0825	N.A	N.A	3	N.A	N.A	YES	YES						N.A	2.92	
87833-1019	N.A	N.A	1													
10	87833-1020	N.A	87833-1026	2	N.A	N.A	YES	YES	12.65	8.00	11.00	10.85	N.A	N.A	2.16	
	87833-1021	N.A	N.A	3												
	87833-1031	N.A	87833-1027	2												
	87833-1032	N.A	N.A	3	N.A	YES	YES	N.A						4.00	2.16	
	N.A	87833-1041	87833-1051	2												
	87833-1024	N.A	N.A	2	N.A	N.A	YES	YES						N.A	2.92	
	87833-1025	N.A	N.A	3												
	12	87833-1219	N.A	N.A	1	N.A	N.A	YES						YES	14.65	10.00
87833-1220		N.A	87833-1240	2												
87833-1221		N.A	N.A	3												
87833-6020		N.A	N.A	2	N.A	N.A	YES	YES	N.A	3.18						
87833-1231		N.A	N.A	2												
87833-1232		N.A	N.A	3	N.A	YES	YES	N.A	5.00	2.16						
87833-1224		N.A	N.A	2												
87833-1225		N.A	N.A	3	N.A	N.A	YES	YES	N.A	2.92						

PLATING OPTIONS:

- 1 - 0.05-0.13µm/2-5µin GOLD IN CONTACT AREA AND 1.88µm/75µin MIN. MATTE TIN IN SOLDER TAIL AREA OVER 1.27µm/50µin MIN. NICKEL OVERALL.
- 2 - 0.38µm/15µin MIN. GOLD IN CONTACT AREA AND 1.88µm/75µin MIN. MATTE TIN IN SOLDER TAIL AREA OVER 1.27µm/50µin MIN. NICKEL OVERALL.
- 3 - 0.76µm/30µin MIN. GOLD IN CONTACT AREA AND 1.88µm/75µin MIN. MATTE TIN IN SOLDER TAIL AREA OVER 1.27µm/50µin MIN. NICKEL OVERALL.

THIS DRAWING CONTAINS INFORMATION THAT IS PROPRIETARY TO MOLEX ELECTRONIC TECHNOLOGIES, LLC AND SHOULD NOT BE USED WITHOUT WRITTEN PERMISSION

EC NO: 727481 DRWN: DANUSA CHKD: DANUSA REV APPR: MIRAMAKRISHNA	2022/11/07	GENERAL TOLERANCES (UNLESS SPECIFIED)		DIMENSION UNITS		SCALE											
	2022/11/07	MM	INCH	MM	NTS	DRWN BY						DATE					
	2022/11/07	4 PLACES ±	±	GMENARLY		2015/09/29		CHK'D BY		DATE							
		3 PLACES ±	±	CGOH		2015/10/30		APPR BY		DATE							
		2 PLACES ±	0.2	±	KHLIM		2015/11/03		DRAWING SIZE		THIRD ANGLE PROJECTION						
	1 PLACES ±	±	±	ANGULAR TOL = 3.0		A3				SERIES		MATERIAL NUMBER		CUSTOMER			
	0 PLACES ±	±	±	DRAFT WHERE APPLICABLE MUST REMAIN WITHIN DIMENSIONS						87833		SEE TABLE		GENERAL MARKET			
										DOCUMENT NUMBER		DOC TYPE		DOC PART		SHEET NUMBER	
										SD-87833-0001		PSD		001		5 OF 9	

RELEASE STATUS	P1	RELEASE DATE	2022/11/07	17:03:16
----------------	----	--------------	------------	----------

14 TO 50 CIRCUITS



ISO VIEW OF HEADER WITH CENTER POLARIZATION AND DUAL SIDE SLOTS



- NOTES:**
- MATERIALS:**
HOUSING: 30% GF, NYLON, UL94V-0, COLOR: BLACK.
PIN: 0.50mm SQ PHOSPHOR BRONZE.
 - FINISHES:** REFER TO PLATING OPTIONS.
 - PRODUCT SPECIFICATION:** PS-87831-027
 - PACKAGING SPECIFICATION:** SEE PACKAGING SPECS TABLE ON SHEET 1
 - MATES WITH:** A. MOLEX CRIMP RECEPTACLE HOUSING: 51110 SERIES AND CRIMP TERMINAL: 50394 SERIES.
B. MOLEX 2mm MILLIGRID DUAL ROW IDT: 87568 SERIES.
C. MOLEX 2mm MILLIGRID DUAL ROW RECEPTACLE: 79107 (GOLD PLATED), 78787 (TIN PLATED)
 - FOR ILLUSTRATION PURPOSE, 22 CIRCUITS HEADER IS SHOWN.**

THIS DRAWING CONTAINS INFORMATION THAT IS PROPRIETARY TO MOLEX ELECTRONIC TECHNOLOGIES, LLC AND SHOULD NOT BE USED WITHOUT WRITTEN PERMISSION

EC NO: 727481 DRWN: DANUSA CHK'D: DANUSA REV APPR: MIRAMAKRISHNA	2022/11/07	GENERAL TOLERANCES (UNLESS SPECIFIED)		DIMENSION UNITS	SCALE	
	2022/11/07	MM	INCH	MM	NTS	
	2022/11/07	4 PLACES ±	±	DRWN BY	DATE	
		3 PLACES ±	±	GMENARLY	2015/09/29	
		2 PLACES ± 0.2	±	CHK'D BY	DATE	MILLIGRID, 2MM PITCH SHROUDED HEADER R/A, THROUGH HOLE
		1 PLACES ±	±	CGOH	2015/10/30	
		0 PLACES ±	±	APPR BY	DATE	
		ANGULAR TOL = 3.0		KHLIM	2015/11/03	PRODUCT CUSTOMER DRAWING
		DRAFT WHERE APPLICABLE MUST REMAIN WITHIN DIMENSIONS		DRAWING SIZE	THIRD ANGLE PROJECTION	SERIES
				A3		87833
						MATERIAL NUMBER
						SEE TABLE
						CUSTOMER
						GENERAL MARKET
						DOCUMENT NUMBER
						SD-87833-0001
						DOC TYPE
						PSD
						DOC PART
						001
						SHEET NUMBER
						6 OF 9


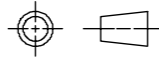
14 TO 24 CIRCUITS

CKT SIZE	ASSY. P/N WITHOUT KAPTON IN TUBE	ASSY. P/N WITH KAPTON IN TUBE	ASSY. P/N WITH KAPTON IN T&R	ASSY. P/N WITHOUT KAPTON IN T&R	PLATING OPTIONS	FRICTION LOCKS		DUAL SIDE SLOTS	CENTER POLARIZATION	DIMENSION																
						DUAL	CENTER			A	B	C	D	E	F	G (SOLDER TAIL)										
14	87833-1419	N.A	N.A	N.A	1	YES	N.A	YES	YES	16.65	12.00	15.00	14.85	8.00	N.A	2.16										
	87833-1420	N.A	N.A	N.A	2																					
	87833-1421	N.A	N.A	N.A	3																					
	87833-5320	N.A	N.A	N.A	2	YES	N.A	YES	YES							16.65	12.00	15.00	14.85	8.00	N.A	3.18				
	87833-5321	N.A	N.A	N.A	3																					
	87833-1436	N.A	N.A	N.A	3																					
	N.A	N.A	87833-7420	N.A	2																					
16	87833-1619	N.A	N.A	N.A	1	YES	N.A	YES	YES	18.65	14.00	17.00	16.85	10.00	N.A							2.16				
	87833-1620	N.A	N.A	N.A	2																					
	87833-1621	N.A	87833-7821	N.A	3																					
	87833-6120	N.A	87833-7120	N.A	2																					
18	87833-1819	N.A	N.A	N.A	1	YES	N.A	YES	YES	20.65	16.00	19.00	18.85	12.00	N.A	2.16										
	87833-1820	N.A	N.A	N.A	2																					
	87833-1821	N.A	N.A	N.A	3																					
	87833-6220	N.A	N.A	N.A	2																					
20	87833-2019	N.A	N.A	N.A	1	YES	N.A	YES	YES	22.65	18.00	21.00	20.85	14.00	N.A	2.16										
	87833-2020	N.A	87833-7220	N.A	2																					
	87833-2021	N.A	N.A	N.A	3	YES	N.A	YES	YES							22.65	18.00	21.00	20.85	14.00	N.A	3.18				
	87833-6520	N.A	N.A	N.A	2																					
	87833-6521	N.A	N.A	A14 87833-2037	3																					
	87833-2036	N.A	N.A	N.A	3																					
22	87833-2219	N.A	N.A	N.A	1	YES	N.A	YES	YES	24.65	20.00	23.00	22.85	16.00	N.A							2.16				
	87833-2220	N.A	N.A	N.A	2																					
	87833-2221	N.A	N.A	N.A	3																					
24	87833-2419	N.A	N.A	N.A	1	YES	N.A	YES	YES	26.65	22.00	25.00	24.85	18.00	N.A	2.16										
	87833-2420	N.A	87833-7020	N.A	2																					
	87833-2421	N.A	N.A	N.A	3											YES	N.A	YES	YES	26.65	22.00	25.00	24.85	18.00	N.A	2.00
	87833-7320	N.A	N.A	N.A	2																					
	87833-2436	N.A	N.A	N.A	3																					
	87833-6920	N.A	N.A	N.A	2																					

PLATING OPTIONS:

- 1 - 0.05-0.13µm/2-5µin GOLD IN CONTACT AREA AND 1.88µm/75µin MIN. MATTE TIN IN SOLDER TAIL AREA OVER 1.27µm/50µin MIN. NICKEL OVERALL.
- 2 - 0.38µm/15µin MIN. GOLD IN CONTACT AREA AND 1.88µm/75µin MIN. MATTE TIN IN SOLDER TAIL AREA OVER 1.27µm/50µin MIN. NICKEL OVERALL.
- 3 - 0.76µm/30µin MIN. GOLD IN CONTACT AREA AND 1.88µm/75µin MIN. MATTE TIN IN SOLDER TAIL AREA OVER 1.27µm/50µin MIN. NICKEL OVERALL.

THIS DRAWING CONTAINS INFORMATION THAT IS PROPRIETARY TO MOLEX ELECTRONIC TECHNOLOGIES, LLC AND SHOULD NOT BE USED WITHOUT WRITTEN PERMISSION

EC NO: 727481 DRWN: DANUSA CHK'D: DANUSA REV APPR: MIRAMAKRISHNA 2022/11/07 2022/11/07 2022/11/07	GENERAL TOLERANCES (UNLESS SPECIFIED)		DIMENSION UNITS		SCALE					
			MM	INCH	MM	NTS				
	4 PLACES	±	±	DRWN BY	DATE	MILLIGRID, 2MM PITCH SHROUDED HEADER R/A, THROUGH HOLE				
	3 PLACES	±	±	GMENARLY	2015/09/29					
	2 PLACES	±	0.2	±	CHK'D BY	DATE	PRODUCT CUSTOMER DRAWING			
	1 PLACES	±	±	CGOH	2015/10/30					
0 PLACES	±	±	±	APPR BY	DATE	SERIES: 87833 MATERIAL NUMBER: SEE TABLE CUSTOMER: GENERAL MARKET				
ANGULAR TOL = 3.0		DRAWING SIZE		THIRD ANGLE PROJECTION						
DRAFT WHERE APPLICABLE MUST REMAIN WITHIN DIMENSIONS		A3				DOCUMENT NUMBER: SD-87833-0001 DOC TYPE: PSD DOC PART: 001 SHEET NUMBER: 7 OF 9				


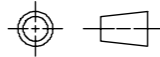
26 TO 38 CIRCUITS

CKT SIZE	ASSY. P/N WITHOUT KAPTON IN TUBE	ASSY. P/N WITH KAPTON IN TUBE	ASSY. P/N WITH KAPTON IN T&R	PLATING OPTIONS	FRICTION LOCKS		DUAL SIDE SLOTS	CENTER POLARIZATION	DIMENSION							
					DUAL	CENTER			A	B	C	D	E	F	G (SOLDER TAIL)	
26	87833-2619	N.A	N.A	1												
	87833-2620	N.A	N.A	2	YES	N.A	YES	YES	28.65	24.00	27.00	26.85	20.00	N.A	2.16	
	87833-2621	N.A	N.A	3												
	87833-2636	N.A	N.A	3	YES	N.A	YES	YES								3.50
87833-2819	N.A	N.A	1													
28	87833-2820	N.A	N.A	2	YES	N.A	YES	YES	30.65	26.00	29.00	28.85	22.00	N.A	2.16	
	87833-2821	N.A	N.A	3												
	87833-6620	N.A	N.A	2	YES	N.A	YES	YES								3.18
	87833-3019	N.A	N.A	1												
30	87833-3020	N.A	N.A	2	YES	N.A	YES	YES	32.65	28.00	31.00	30.85	24.00	N.A	2.16	
	87833-3021	N.A	N.A	3												
	87833-6720	N.A	N.A	2	YES	N.A	YES	YES								3.18
	87833-6721	N.A	N.A	3												
	87833-3036	N.A	N.A	3	YES	N.A	YES	YES							3.50	
	87833-3219	N.A	N.A	1												
32	87833-3220	N.A	N.A	2	YES	N.A	YES	YES	34.65	30.00	33.00	32.85	26.00	N.A	2.16	
	87833-3221	N.A	N.A	3												
	87833-3419	N.A	N.A	1												
34	87833-3420	N.A	N.A	2	YES	N.A	YES	YES	36.65	32.00	35.00	34.85	28.00	N.A	2.16	
	87833-3421	N.A	N.A	3												
	87833-5420	N.A	N.A	2	YES	N.A	YES	YES								3.18
	87833-3424	N.A	N.A	2	N.A	N.A	YES	YES							2.92	
	87833-3619	N.A	N.A	1												
36	87833-3620	N.A	N.A	2	YES	N.A	YES	YES	38.65	34.00	37.00	36.85	30.00	N.A	2.16	
	87833-3621	N.A	N.A	3												
	87833-3819	N.A	N.A	1												
38	87833-3820	N.A	N.A	2	YES	N.A	YES	YES	40.65	36.00	39.00	38.85	32.00	N.A	2.16	
	87833-3821	N.A	N.A	3												

PLATING OPTIONS:

- 1 - 0.05-0.13µm/2-5µin GOLD IN CONTACT AREA AND 1.88µm/75µin MIN. MATTE TIN IN SOLDER TAIL AREA OVER 1.27µm/50µin MIN. NICKEL OVERALL.
- 2 - 0.38µm/15µin MIN. GOLD IN CONTACT AREA AND 1.88µm/75µin MIN. MATTE TIN IN SOLDER TAIL AREA OVER 1.27µm/50µin MIN. NICKEL OVERALL.
- 3 - 0.76µm/30µin MIN. GOLD IN CONTACT AREA AND 1.88µm/75µin MIN. MATTE TIN IN SOLDER TAIL AREA OVER 1.27µm/50µin MIN. NICKEL OVERALL.

THIS DRAWING CONTAINS INFORMATION THAT IS PROPRIETARY TO MOLEX ELECTRONIC TECHNOLOGIES, LLC AND SHOULD NOT BE USED WITHOUT WRITTEN PERMISSION

EC NO: 727481 DRWN: DANUSA CHK'D: DANUSA REV APPR: MIRAMAKRISHNA	GENERAL TOLERANCES (UNLESS SPECIFIED)		DIMENSION UNITS		SCALE				
		MM	INCH	MM	NTS				
	4 PLACES ±			DRWN BY	DATE	MILLIGRID, 2MM PITCH SHROUDED HEADER R/A, THROUGH HOLE			
	3 PLACES ±			GMENARLY	2015/09/29				
	2 PLACES ± 0.2			CHK'D BY	DATE	PRODUCT CUSTOMER DRAWING			
1 PLACES ±			CGOH	2015/10/30					
0 PLACES ±			APPR BY	DATE	SERIES: 87833 MATERIAL NUMBER: SEE TABLE CUSTOMER: GENERAL MARKET				
			KHLIM	2015/11/03					
ANGULAR TOL = 3.0			DRAWING SIZE	THIRD ANGLE PROJECTION		DOCUMENT NUMBER			
DRAFT WHERE APPLICABLE MUST REMAIN WITHIN DIMENSIONS			A3			SD-87833-0001			
					DOC TYPE	DOC PART	SHEET NUMBER		
					PSD	001	8 OF 9		

40 TO 50 CIRCUITS

CKT SIZE	ASSY. P/N WITHOUT KAPTON IN TUBE	ASSY. P/N WITH KAPTON IN TUBE	ASSY. P/N WITH KAPTON IN T&R	ASSY. P/N WITHOUT KAPTON IN T&R	PLATING OPTIONS	FRICTION LOCKS		DUAL SIDE SLOTS	CENTER POLARIZATION	DIMENSION										
						DUAL	CENTER			A	B	C	D	E	F	G (SOLDER TAIL)				
40	87833-4019	N.A	N.A	N.A	1															
	87833-4020	N.A	N.A	N.A	2	YES	N.A	YES	YES	42.65	38.00	41.00	40.85	34.00	N.A	2.16				
	87833-4021	N.A	N.A	N.A	3															
42	87833-4219	N.A	N.A	N.A	1															
	87833-4220	N.A	N.A	N.A	2	YES	N.A	YES	YES	44.65	40.00	43.00	42.85	36.00	N.A	2.16				
	87833-4221	N.A	N.A	N.A	3															
	87833-4222	N.A	87833-4322	87833-4223	3	YES	N.A	YES	YES							3.50				
44	87833-4419	N.A	N.A	N.A	1															
	87833-4420	N.A	N.A	N.A	2					44.65	40.00	43.00	42.85	2.16	42.00	45.00	44.85	38.00	N.A	2.16
	87833-4421	N.A	N.A	N.A	3															
	87833-4424	N.A	N.A	N.A	2	N.A	N.A	YES	YES											
	87833-4425	N.A	N.A	N.A	3															
46	87833-4619	N.A	N.A	N.A	1															
	87833-4620	N.A	N.A	N.A	2	YES	N.A	YES	YES	48.65	44.00	47.00	46.85	40.00	N.A	2.16				
	87833-4621	N.A	N.A	N.A	3															
48	87833-4819	N.A	N.A	N.A	1															
	87833-4820	N.A	N.A	N.A	2	YES	N.A	YES	YES	50.65	46.00	49.00	48.85	42.00	N.A	2.16				
	87833-4821	N.A	N.A	N.A	3															
50	87833-5019	N.A	N.A	N.A	1															
	87833-5020	N.A	N.A	N.A	2	YES	N.A	YES	YES	52.65	48.00	51.00	50.85	44.00	N.A	2.16				
	87833-5021	N.A	N.A	N.A	3															

PLATING OPTIONS:

- 1 - 0.05-0.13µm/2-5µin GOLD IN CONTACT AREA AND 1.88µm/75µin MIN. MATTE TIN IN SOLDER TAIL AREA OVER 1.27µm/50µin MIN. NICKEL OVERALL.
- 2 - 0.38µm/15µin MIN. GOLD IN CONTACT AREA AND 1.88µm/75µin MIN. MATTE TIN IN SOLDER TAIL AREA OVER 1.27µm/50µin MIN. NICKEL OVERALL.
- 3 - 0.76µm/30µin MIN. GOLD IN CONTACT AREA AND 1.88µm/75µin MIN. MATTE TIN IN SOLDER TAIL AREA OVER 1.27µm/50µin MIN. NICKEL OVERALL.

THIS DRAWING CONTAINS INFORMATION THAT IS PROPRIETARY TO MOLEX ELECTRONIC TECHNOLOGIES, LLC AND SHOULD NOT BE USED WITHOUT WRITTEN PERMISSION

EC NO: 727481 DRWN: DANUSA CHK'D: DANUSA REV APPR: MIRAMAKRISHNA	GENERAL TOLERANCES (UNLESS SPECIFIED)		DIMENSION UNITS		SCALE		molex®				
			MM	INCH	MM	NTS					
	4 PLACES	±			DRWN BY	DATE	MILLIGRID, 2MM PITCH SHROUDED HEADER R/A, THROUGH HOLE				
	3 PLACES	±			GMENARLY	2015/09/29					
	2 PLACES	± 0.2			CHK'D BY	DATE					
	1 PLACES	±			CGOH	2015/10/30	PRODUCT CUSTOMER DRAWING				
0 PLACES	±			APPR BY	DATE						
ANGULAR TOL = 3.0		DRAWING SIZE		THIRD ANGLE PROJECTION		SERIES: 87833 MATERIAL NUMBER: SEE TABLE CUSTOMER: GENERAL MARKET					
DRAFT WHERE APPLICABLE MUST REMAIN WITHIN DIMENSIONS		A3									
RELEASE STATUS	P1	RELEASE DATE	2022/11/07	17:03:16	DOCUMENT NUMBER		DOC TYPE		DOC PART	SHEET NUMBER	
					SD-87833-0001		PSD		001	9 OF 9	