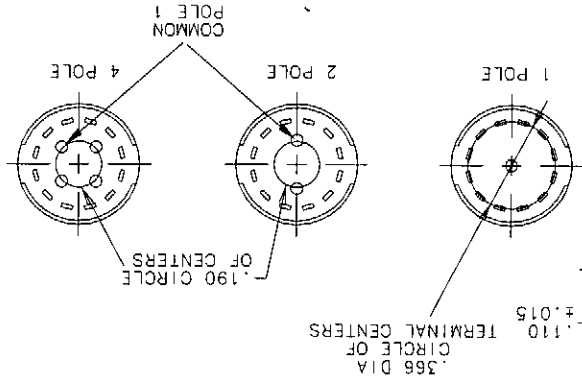
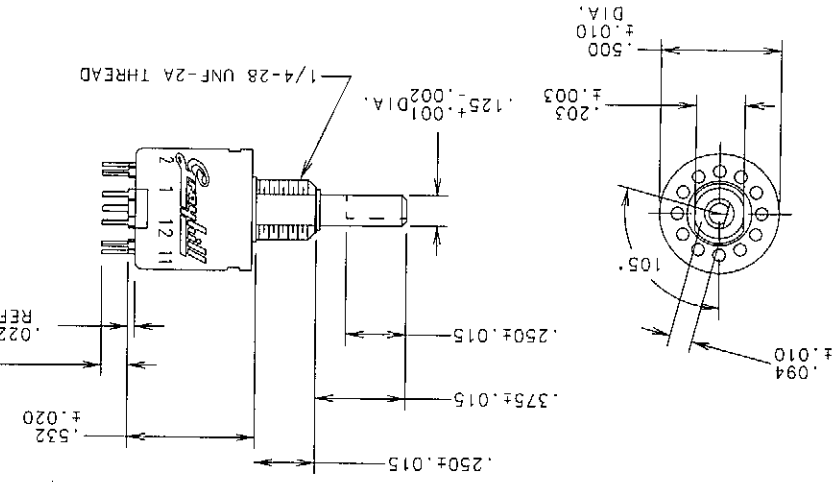


SWITCH DESCRIPTION

1. ONE DECK.
2. 1, 2, OR 4 POLES.
3. 12 POSITIONS.
4. SHORTING OR NON-SHORTING.
5. FLAT ALIGNMENT OPPOSITE POINT OF CONTACT OF POLE #1.
6. STOP PINS AND SILVER STICKER SHIPPED LOOSE.



FINAL SWITCH ASSEMBLY
(THIS ILLUSTRATION IS TYPICAL)



PART NUMBER

55DP30-01-X-A1X

NUMBER OF POLES
ADJUSTABLE POSITIONS
CONTACT TYPE
(N=NONSHORTING, S=SHORTING)

ECN #	ISSUE	APP/DATE	DESCRIPTION
348816	L	PPG	REDRAWN IN CADAM, CSR 9-29-03
	A	VN	ORIGINAL JJP

REVISIONS

SCALE	SHEET 1 OF 1
SIZE	55DP30-X
DWG. NO.	B
ISSUE	M
CAGE NO.	81073
CADAM DRAWING	55DP30-X-M-001
GRAYHILL STANDARD	
CUSTOMER NAME & PART NO.	
DATE	JJP 1-4-82
CHECKED	VN 3-28-83
SPEC. FEATURE:	
STYLE:	"DP"
S.O.#:	
INDEXING:	30
SD/PR#:	
 GRAYHILL, INC. 561 HILLGROVE AVE. LA GRANGE, IL 60525 PHONE (708) 354-1040	

ALL REVISIONS TO THIS DRAWING
MUST BE MADE ON THE CAD SYSTEM