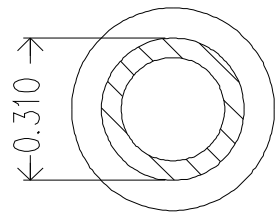
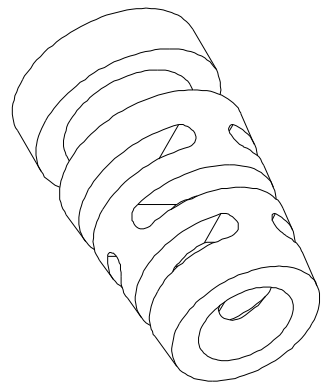
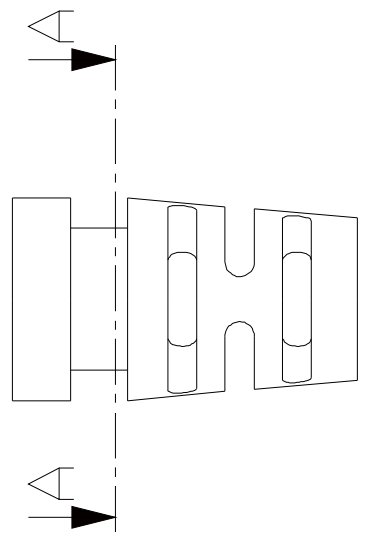
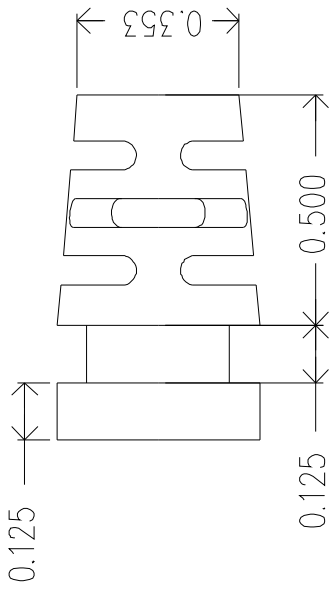
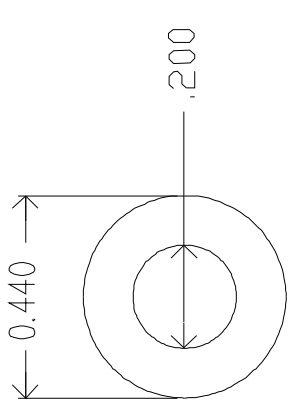


REVISIONS		DATE	APPROVED
ZONE	REV.	DATE	APPROVED



MOLD MATERIAL: ISC P/N: 5000214, PVC, M1472, Black, RoHS

DRWN	NAME	DATE	ISC Engineering
R FIERRO	R FIERRO	11/07/03	4351 Schaefer Ave, Chino, CA 91710
CHECKED			Ph: 909-596-3315 Fax: 909-596-3335
ENG APPR.			www.iscengineering.com
MFG APPR.			www.overmoldtooling.com
Q.A.			
COMMENTS:			
DO NOT SCALE DRAWING			
SCALE: 5:1			
WEIGHT:			
SIZE			
A			
REV			
1467105			
SHEET			
1			

Dimensions are subject to change.  
 PROPRIETARY AND CONFIDENTIAL  
 THE INFORMATION CONTAINED IN THIS DRAWING IS THE SOLE PROPERTY OF ISC ENGINEERING. ANY REPRODUCTION IN PART OR AS A WHOLE WITHOUT THE WRITTEN PERMISSION OF ISC ENGINEERING IS PROHIBITED.

A-A

