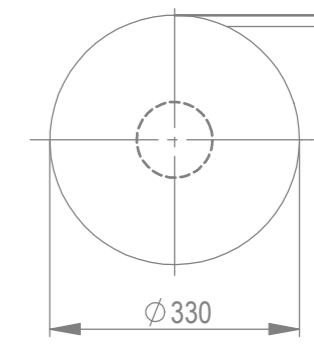
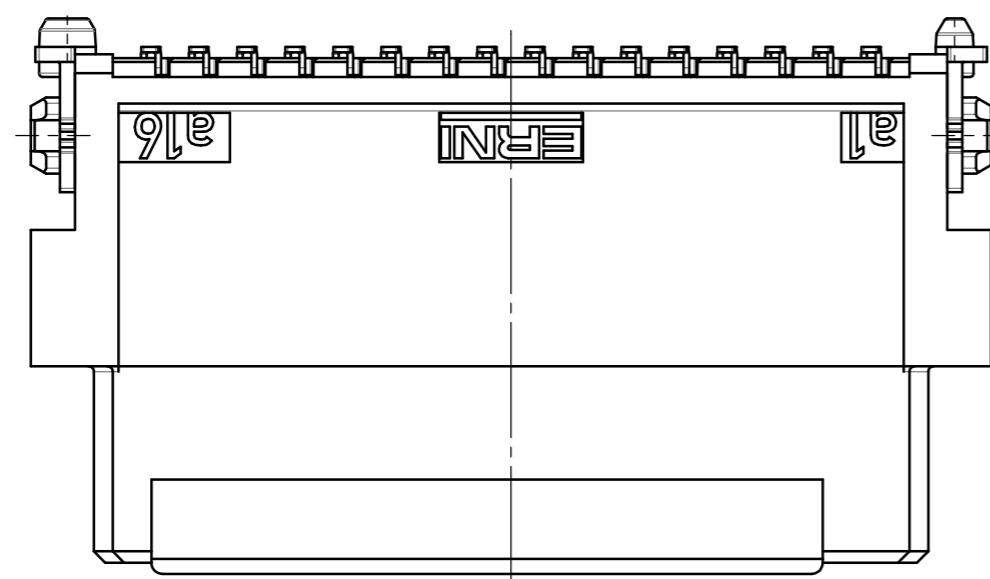
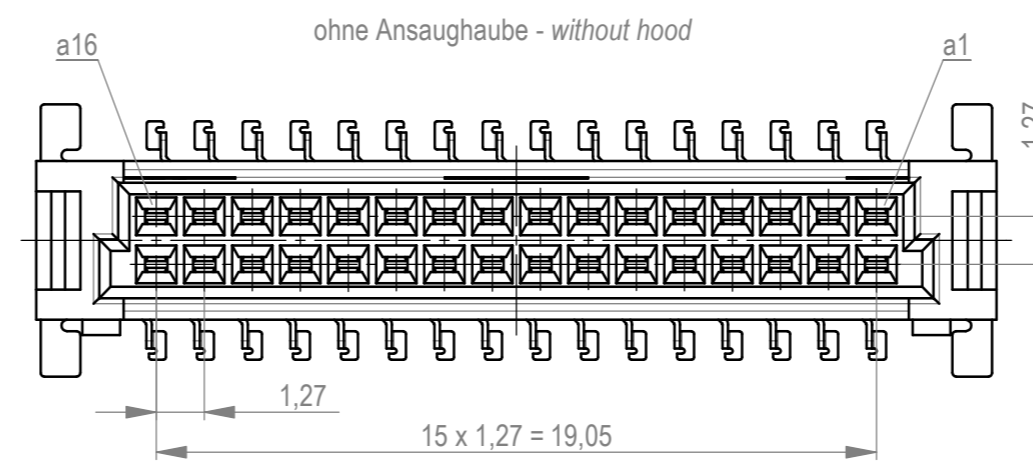
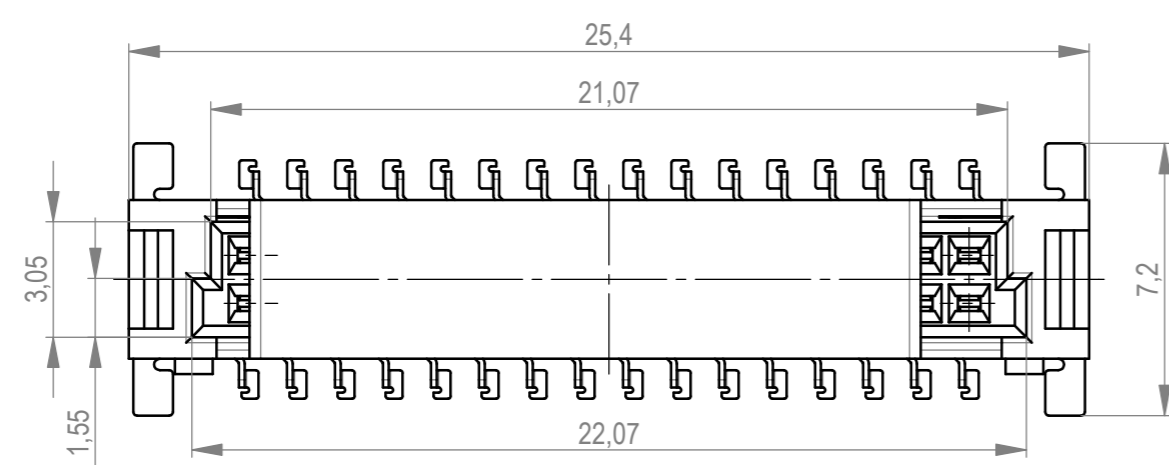
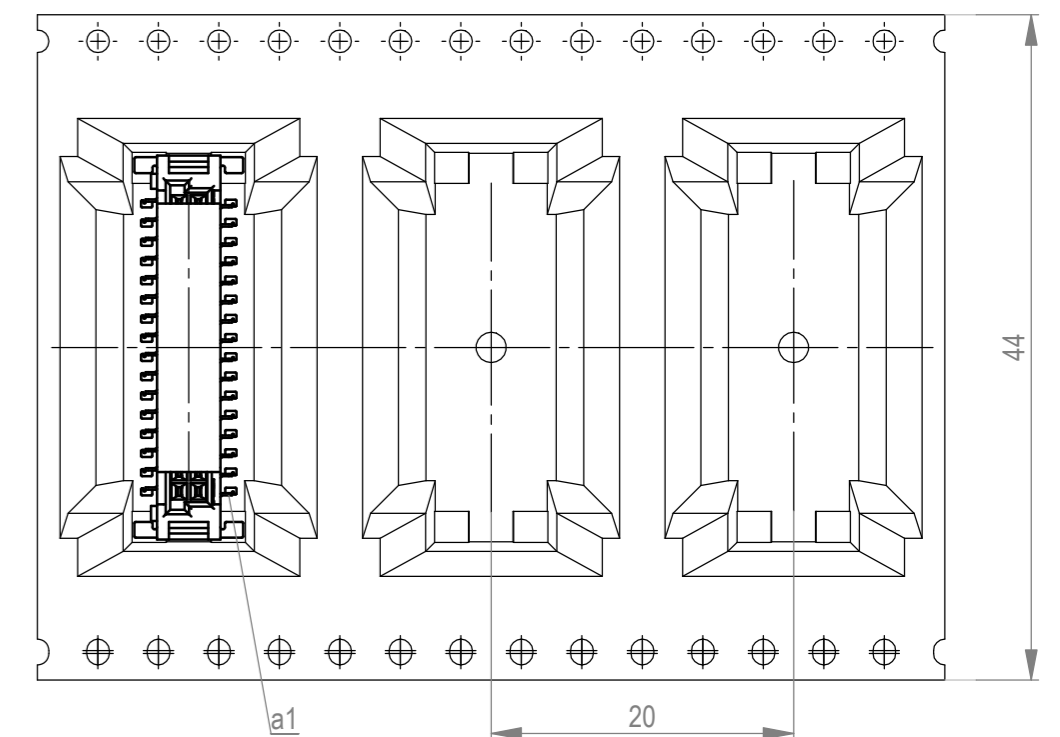


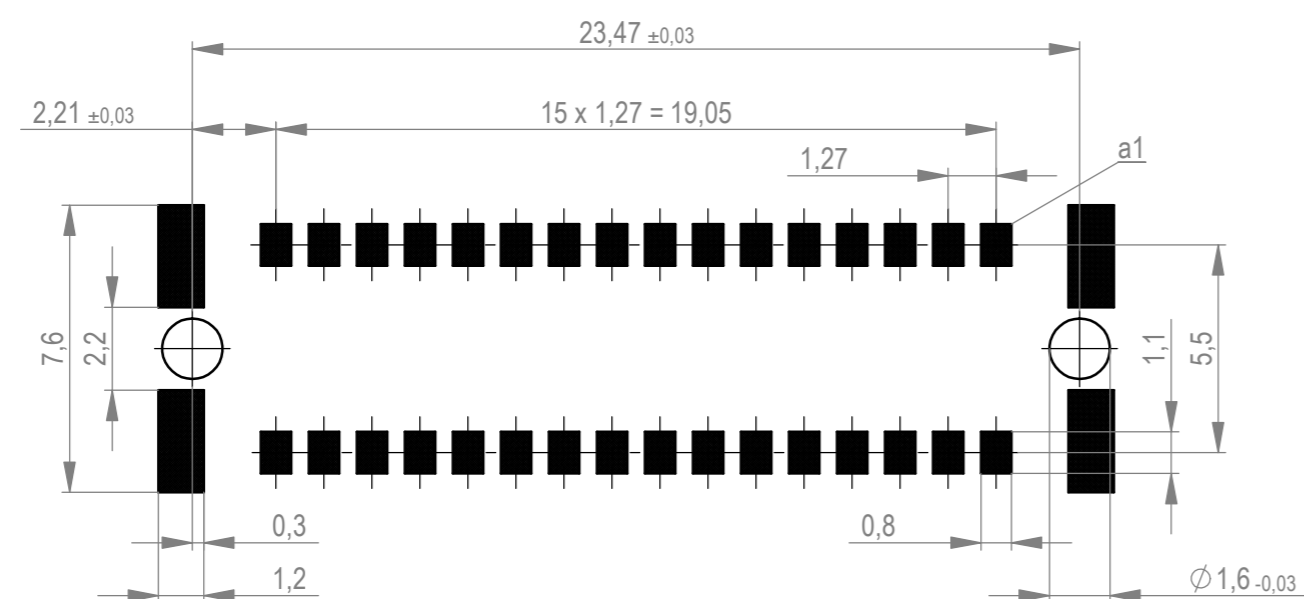
Verpackt im Gurt in Anlehnung an DIN IEC 60286-3  
 tape on reel packaging according to DIN IEC 60286-3  
 Verpackungseinheit: 170 Stück  
 packaging unit: 170 pcs



Abspulrichtung - reel off direction →



Leiterplatten-Layout Vorschlag für SMT  
 PCB-Layout Proposal for SMT



Anforderungsstufe 1  
 performance level 1

Kontaktbereich vergoldet  
 mating area gold plating

Anschlussbereich verzinkt 4-6 µm  
 terminal area 4-6 µm tin plating

Koplanarität der Anschlüsse ≤ 0,1 mm  
 coplanarity area of termination ≤ 0,1 mm

BA 7-23 - hohe Bauhöhe  
 type 7-23 - high profile

Weder die deutsche Version dieser Zeichnung dient zur Erleichterung der Handhabung. Bei Abweichungen vom englischen Original gilt das englische Original. No drawing has been offered for convenience only and any deviation from the original will be held liable for the payment of damages. All rights reserved for the benefit of the grant of a patent, utility model or design.

Dimension no.	Tolerances ISO 8015	Scale 5:1 Material	Federl. SMC-B 32-SMD-BA7-23 Female SMC-B 32-SMT-type7-23 <b>354072</b>
Customer drawing: All rights reserved. Only for information. To ensure that this is the latest version of this drawing, please contact one of the ERNI companies before using.	Subject to modification without prior notice. Drawing will not be updated.	ERNI International AG Zürichstrasse 72 8306 Brüttisellen - Zürich Switzerland	
d Index	06.05.2021 Date	Class SMCB	I A2