

# ACPL-M46U-000E

Wide Operating Temperature Intelligent Power Module Optocoupler with R<sup>2</sup>Coupler™ Isolation and 5 Lead Small Outline



## Data Sheet

 **Lead (Pb) Free**  
RoHS 6 fully compliant

RoHS 6 fully compliant options available;  
-xxxE denotes a lead-free product

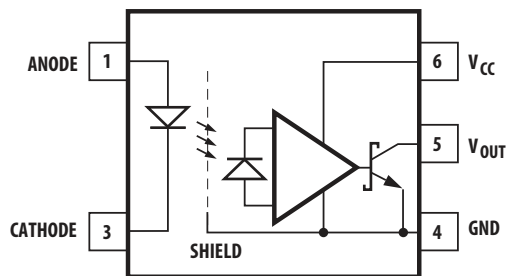
### Description

The ACPL-M46U-000E consists of a AlGaAs optically coupled to an integrated high gain photo detector. Minimized propagation delay difference between devices makes these optocouplers excellent solutions for improving industrial inverter efficiency through reduced switching dead time.

Specification and performance plots are given for typical IPM applications.

Avago R<sup>2</sup>Coupler isolation products provide the reinforced insulation and reliability needed for critical in automotive and high temperature industrial applications.

### Functional Diagram



Truth Table

| LED | V <sub>O</sub> |
|-----|----------------|
| ON  | L              |
| OFF | H              |

The connection of a 0.1 μF bypass capacitor between pins 4 and 6 is recommended.

### Features

- Performance specified for common IPM applications over industrial temperature range: -40°C to 125°C
- Fast maximum propagation delays
  - $t_{PHL}$  &  $t_{PLH}$  = 550 ns
- Minimized Pulse Width Distortion (PWD = 370 ns)
- Very high Common Mode Rejection (CMR): 15 kV/μs at  $V_{CM}$  = 1500V
- CTR > 44% at  $I_F$  = 10 mA
- Safety approval
  - UL recognized per UL1577 (file no. E55361) 3750V<sub>rms</sub> for 1 minute
  - CSA Approved
  - IEC/EN/DIN EN 60747-5-5

### Applications

- Industrial Intelligent Power Module isolation for battery management system and motor control
- Isolated IGBT/MOSFET gate drive
- AC and brushless dc motor drives
- Industrial inverters for power supplies and motor controls

**CAUTION:** It is advised that normal static precautions be taken in handling and assembly of this component to prevent damage and/or degradation which may be induced by ESD.

## Ordering Information

| Part Number | Options        |         | Surface Mount | Tape & Reel | IEC/EN/DIN EN 60747-5-5 | Quantity      |
|-------------|----------------|---------|---------------|-------------|-------------------------|---------------|
|             | RoHS Compliant | Package |               |             |                         |               |
| ACPL-M46U   | -000E          | SO-5    | X             |             | X                       | 100 per tube  |
|             | -500E          |         | X             | X           | X                       | 1500 per reel |

To order, choose a part number from the part number column and combine with the desired option from the option column to form an order entry.

Example 1:

ACPL-M46U-500E to order product of SO-5 Surface Mount package in Tape and Reel packaging with RoHS compliant.

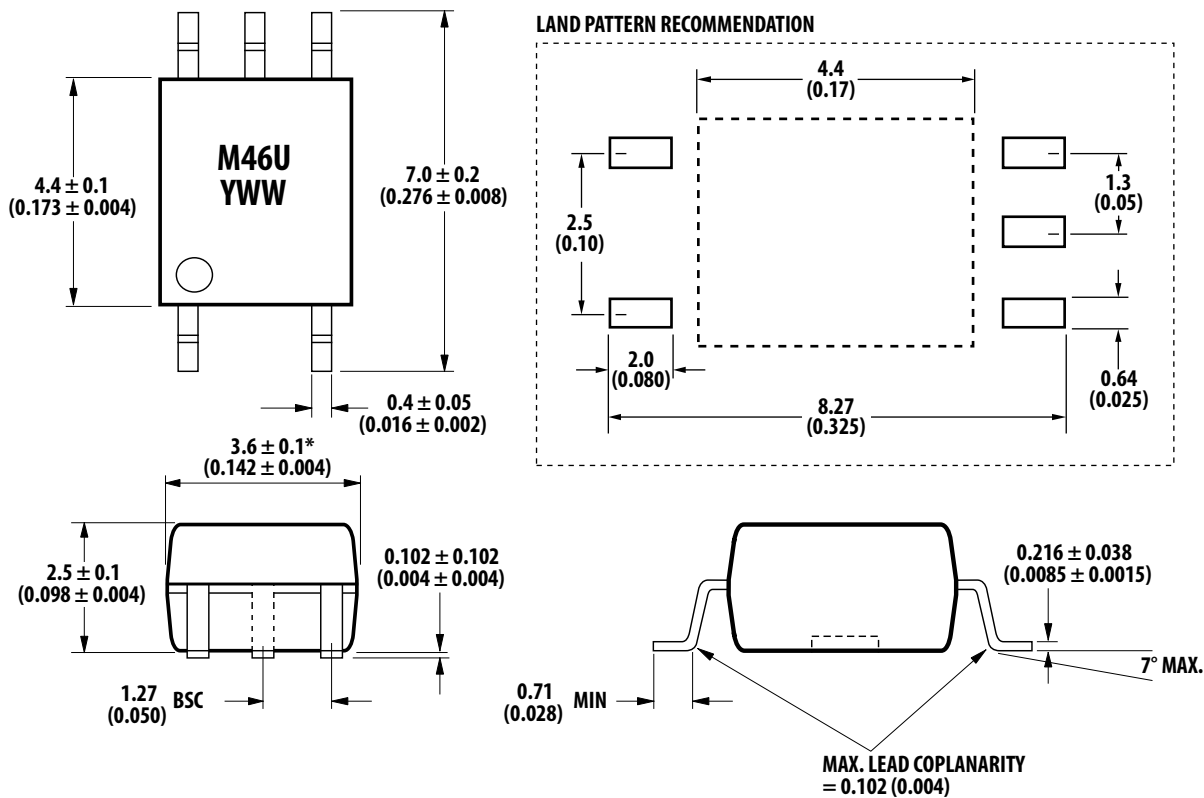
Example :

ACPL-M46U-000E to order product of SO-5 Surface Mount package in tube packaging with RoHS compliant.

Option datasheets are available. Contact your Avago sales representative or authorized distributor for information.

## Package Outline Drawing

### ACPL-M46U-000E Small Outline SO-5 Package (JEDEC MO-155)



DIMENSIONS IN MILLIMETERS (INCHES)

\* MAXIMUM MOLD FLASH ON EACH SIDE IS 0.15 mm (0.006)

NOTE: FLOATING LEAD PROTRUSION IS 0.15 mm (6 mils) MAX.

## Recommended Reflow Soldering Profile

Recommended reflow soldering condition are per JEDEC Standard J-STD-020 (latest revision). Non-halide flux should be used.

## Regulatory Information

The ACPL-M46U-000E is approved by the following organizations:

### UL

Approved under UL 1577, component recognition program up to  $V_{ISO} = 3750 V_{RMS}$

### CSA

Approved under CSA Component Acceptance Notice #5

### IEC/EN/DIN EN 60747-5-5

Approved under:  
IEC 60747-5-5:2007  
EN 60747-5-5:2011

## IEC/EN/DIN EN 60747-5-5 Insulation Characteristics\*

| Description  | Symbol          | Characteristic              | Unit       |
|--|-----------------|-----------------------------|------------|
| Installation classification per DIN VDE 0110/1.89, Table 1<br>for rated mains voltage $\leq 150 V_{rms}$<br>for rated mains voltage $\leq 300 V_{rms}$<br>for rated mains voltage $\leq 600 V_{rms}$ |                 | I – IV<br>I – III<br>I – II |            |
| Climatic Classification  |                 | 55/125/21                   |            |
| Pollution Degree (DIN VDE 0110/1.89)   |                 | 2                           |            |
| Maximum Working Insulation Voltage   | $V_{IORM}$      | 567                         | $V_{peak}$ |
| Input to Output Test Voltage, Method b*<br>$V_{IORM} \times 1.875 = V_{PR}$ , 100% Production Test with $t_m = 1$ sec, Partial discharge $< 5$ pC  | $V_{PR}$        | 1063                        | $V_{peak}$ |
| Input to Output Test Voltage, Method a*<br>$V_{IORM} \times 1.6 = V_{PR}$ , Type and Sample Test, $t_m = 10$ sec, Partial discharge $< 5$ pC   | $V_{PR}$        | 907                         | $V_{peak}$ |
| Highest Allowable Overvoltage (Transient Overvoltage $t_{ini} = 60$ sec)   | $V_{IOTM}$      | 6000                        | $V_{peak}$ |
| Safety-limiting values – maximum values allowed in the event of a failure.   |                 |                             |            |
| Case Temperature   | $T_S$           | 175                         | °C         |
| Input Current  | $I_{S, INPUT}$  | 230                         | mA         |
| Output Power   | $P_{S, OUTPUT}$ | 600                         | mW         |
| Insulation Resistance at $T_S, V_{IO} = 500$ V   | $R_S$           | $> 10^9$                    | $\Omega$   |

\* Refer to the optocoupler section of the Isolation and Control Components Designer's Catalog, under Product Safety Regulations section, (IEC/EN/DIN EN 60747-5-5) for a detailed description of Method a and Method b partial discharge test profiles.

### Insulation Related Specifications

| Parameter   | Symbol | Value | Units | Conditions   |
|---|--------|-------|-------|--|
| Minimum External Air Gap (Clearance)              | L(101) | ≥5    | mm    | Measured from input terminals to output terminals, shortest distance through air.  |
| Minimum External Tracking (Creepage)              | L(102) | ≥5    | mm    | Measured from input terminals to output terminals, shortest distance path along body.  |
| Minimum Internal Plastic Gap (Internal Clearance) |        | 0.08  | mm    | Through insulation distance conductor to conductor, usually the straight line distance thickness between the emitter and detector. |
| Tracking Resistance (Comparative Tracking Index)  | CTI    | 200   | Volts | DIN IEC 112/VDE 0303 Part 1  |
| Isolation Group                                   |        | IIIa  |       | Material Group (DIN VDE 0110)  |

### Absolute Maximum Ratings

| Parameter  | Symbol        | Min. | Max. | Units                             |
|--|---------------|------|------|-----------------------------------|
| Storage Temperature  | $T_S$         | -55  | 150  | °C                                |
| Operating Temperature  | $T_A$         | -40  | 125  | °C                                |
| Average Input Current <sup>[1]</sup>                                     | $I_{F(avg)}$  |      | 20   | mA                                |
| Peak Input Current <sup>[2]</sup><br>(50% duty cycle, <1 ms pulse width) | $I_{F(peak)}$ |      | 40   | mA                                |
| Peak Transient Input Current<br>(<1 μs pulse width, 300 pps)             | $I_{F(tran)}$ |      | 1.0  | A                                 |
| Reverse Input Voltage (Pin 3-1)  | $V_R$         |      | 5    | Volts                             |
| Average Output Current (Pin 5)   | $I_{O(avg)}$  |      | 15   | mA                                |
| Output Voltage (Pin 5-4)   | $V_O$         | -0.5 | 30   | Volts                             |
| Supply Voltage (Pin 6-4)   | $V_{CC}$      | -0.5 | 30   | Volts                             |
| Output Power Dissipation <sup>[3]</sup>                                  | $P_O$         |      | 100  | mW                                |
| Total Power Dissipation <sup>[4]</sup>                                   | $P_T$         |      | 145  | mW                                |
| Infrared and Vapor Phase Reflow Temperature                              |               |      |      | See Reflow Thermal Profile below. |

### Recommended Operating Conditions

| Parameter             | Symbol       | Min. | Max. | Units |
|-----------------------|--------------|------|------|-------|
| Power Supply Voltage  | $V_{CC}$     | 4.5  | 30   | Volts |
| Output Voltage        | $V_O$        | 0    | 30   | Volts |
| Input Current (ON)    | $I_{F(on)}$  | 10   | 20   | mA    |
| Input Voltage (OFF)   | $V_{F(off)}$ | -5   | 0.8  | V     |
| Operating Temperature | $T_A$        | -40  | 125  | °C    |

## Electrical Specifications

Over recommended operating conditions unless otherwise specified:

$T_A = -40^\circ\text{C}$  to  $+125^\circ\text{C}$ ,  $V_{CC} = +4.5\text{ V}$  to  $30\text{ V}$ ,  $I_{F(\text{on})} = 10\text{ mA}$  to  $20\text{ mA}$ ,  $V_{F(\text{off})} = -5\text{ V}$  to  $0.8\text{ V}$

| Parameter                                  | Symbol                    | Min. | Typ.*     | Max. | Units                | Test Conditions   | Fig. | Note |
|--|---------------------------|------|-----------|------|----------------------|---|------|------|
| Current Transfer Ratio                     | CTR                       | 44   | 90        |      | %                    | $I_F = 10\text{ mA}$ , $V_O = 0.6\text{ V}$                 |      | 5    |
| Low Level Output Current                   | $I_{OL}$                  | 4.4  | 9.0       |      | mA                   | $I_F = 10\text{ mA}$ , $V_O = 0.6\text{ V}$                 | 2,3  |      |
| Low Level Output Voltage                   | $V_{OL}$                  |      | 0.3       | 0.6  | V                    | $I_O = 2.4\text{ mA}$                                       |      |      |
| Input Threshold Current                    | $I_{TH}$                  |      | 1.5       | 5.0  | mA                   | $V_O = 0.8\text{ V}$ , $I_O = 0.75\text{ mA}$               | 2    | 9    |
| High Level Output Current                  | $I_{OH}$                  |      | 5         | 50   | $\mu\text{A}$        | $V_F = 0.8\text{ V}$  | 4    |      |
| High Level Supply Current                  | $I_{CCH}$                 |      | 0.6       | 1.3  | mA                   | $V_F = 0.8\text{ V}$ , $V_O = \text{Open}$                  |      | 9    |
| Low Level Supply Current                   | $I_{CCL}$                 |      | 0.6       | 1.3  | mA                   | $I_F = 10\text{ mA}$ , $V_O = \text{Open}$                  |      | 9    |
| Input Forward Voltage                      | $V_F$                     |      | 1.5       | 1.8  | V                    | $I_F = 10\text{ mA}$  | 5    |      |
| Temperature Coefficient of Forward Voltage | $\Delta V_F / \Delta T_A$ |      | -1.6      |      | mV/ $^\circ\text{C}$ | $I_F = 10\text{ mA}$  |      |      |
| Input Reverse Breakdown Voltage            | $BV_R$                    | 5    |           |      | V                    | $I_R = 10\ \mu\text{A}$                                     |      |      |
| Input Capacitance                          | $C_{IN}$                  | 60   |           |      | pF                   | $f = 1\text{ MHz}$ , $V_F = 0\text{ V}$                     |      |      |
| Input-Output Insulation Voltage            | $V_{ISO}$                 | 3750 |           |      | $V_{RMS}$            | $RH < 50\%$ , $t = 1\text{ min}$ , $T_A = 25^\circ\text{C}$ |      | 6, 7 |
| Resistance (Input - Output)                | $R_{I-O}$                 |      | $10^{12}$ |      | $\Omega$             | $V_{I-O} = 500\text{ Vdc}$                                  |      | 6    |
| Capacitance (Input - Output)               | $C_{I-O}$                 |      | 0.6       |      | pF                   | $f = 1\text{ MHz}$  |      | 6    |

\*All typical values at  $25^\circ\text{C}$ ,  $V_{CC} = 15\text{ V}$ .

## Switching Specifications ( $R_L = 20\text{ k}\Omega$ )

Over recommended operating conditions unless otherwise specified:

$T_A = -40^\circ\text{C}$  to  $+125^\circ\text{C}$ ,  $V_{CC} = +4.5\text{ V}$  to  $30\text{ V}$ ,  $I_{F(\text{on})} = 10\text{ mA}$  to  $20\text{ mA}$ ,  $V_{F(\text{off})} = -5\text{ V}$  to  $0.8\text{ V}$

| Parameter  | Symbol                            | Min. | Typ.* | Max. | Units             | Test Conditions   | Fig.       | Note |
|--|-----------------------------------|------|-------|------|-------------------|---|------------|------|
| Propagation Delay<br>Time to Low<br>Output Level       | $t_{\text{PHL}}$                  | 30   | 200   | 550  | ns                | $C_L = 100\text{ pF}$<br>$I_{F(\text{on})} = 10\text{ mA}$ ,<br>$V_{F(\text{off})} = 0.8\text{ V}$ ,<br>$V_{CC} = 15.0\text{ V}$ ,                | 6,<br>8-12 | 8, 9 |
| Propagation Delay<br>Time to High<br>Output Level      | $t_{\text{PLH}}$                  | 270  | 400   | 550  | ns                | $C_L = 100\text{ pF}$<br>$V_{\text{THLH}} = 2.0\text{ V}$ ,<br>$V_{\text{THHL}} = 1.5\text{ V}$<br>$C_L = 10\text{ pF}$                           |            |      |
| Pulse Width<br>Distortion                              | PWD                               |      | 200   | 450  | ns                | $C_L = 100\text{ pF}$   |            | 13   |
| Propagation Delay<br>Difference Between<br>Any 2 Parts | $t_{\text{PLH}} - t_{\text{PHL}}$ | -150 | 200   | 450  | ns                |   |            | 10   |
| Output High Level<br>Common Mode<br>Transient Immunity | $ CM_H $                          | 15   | 30    |      | kV/ $\mu\text{s}$ | $I_F = 0\text{ mA}$ ,<br>$V_O > 3.0\text{ V}$<br>$V_{CC} = 15.0\text{ V}$ ,<br>$C_L = 100\text{ pF}$ ,<br>$V_{CM} = 1500\text{ V}_{\text{P-P}}$ , | 7          | 11   |
| Output Low Level<br>Common Mode<br>Transient Immunity  | $ CM_L $                          | 15   | 30    |      | kV/ $\mu\text{s}$ | $I_F = 10\text{ mA}$ ,<br>$V_O < 1.0\text{ V}$<br>$T_A = 25^\circ\text{C}$  |            | 12   |

\*All typical values at  $25^\circ\text{C}$ ,  $V_{CC} = 15\text{ V}$ .

Notes:

- Derate linearly above  $85^\circ\text{C}$  free-air temperature at a rate of  $0.25\text{ mA}/^\circ\text{C}$ .
- Derate linearly above  $85^\circ\text{C}$  free-air temperature at a rate of  $0.5\text{ mA}/^\circ\text{C}$ .
- Derate linearly above  $85^\circ\text{C}$  free-air temperature at a rate of  $0.375\text{ mW}/^\circ\text{C}$ .
- Derate linearly above  $85^\circ\text{C}$  free-air temperature at a rate of  $0.75\text{ mW}/^\circ\text{C}$ .
- CURRENT TRANSFER RATIO in percent is defined as the ratio of output collector current ( $I_O$ ) to the forward LED input current ( $I_F$ ) times 100.
- Device considered a two-terminal device: Pins 1 and 3 shorted together and Pins 4, 5 and 6 shorted together.
- In accordance with UL1577, each optocoupler is proof tested by applying an insulation test voltage  $\geq 4500\text{ V}_{\text{RMS}}$  for 1 second (leakage detection current limit,  $I_{L0} \leq 5\text{ }\mu\text{A}$ ).
- Pulse:  $f = 0\text{ kHz}$ , Duty Cycle = 10%.
- Use of a  $0.1\text{ }\mu\text{F}$  bypass capacitor connected between pins 4 and 6 can improve performance by filtering power supply line noise.
- The difference between  $t_{\text{PLH}}$  and  $t_{\text{PHL}}$  between any two parts under the same test condition. (See IPM Dead Time and Propagation Delay Specifications section.)
- Common mode transient immunity in a Logic High level is the maximum tolerable  $dV_{CM}/dt$  of the common mode pulse,  $V_{CM}$ , to assure that the output will remain in a Logic High state (i.e.,  $V_O > 3.0\text{ V}$ ).
- Common mode transient immunity in a Logic Low level is the maximum tolerable  $dV_{CM}/dt$  of the common mode pulse,  $V_{CM}$ , to assure that the output will remain in a Logic Low state (i.e.,  $V_O < 1.0\text{ V}$ ).
- Pulse Width Distortion (PWD) is defined as  $|t_{\text{PHL}} - t_{\text{PLH}}|$  for any given device.

## LED Drive Circuit Considerations For Ultra High CMR Performance

Without a detector shield, the dominant cause of optocoupler CMR failure is capacitive coupling from the input side of the optocoupler, through the package, to the detector IC as shown in Figure 14. The ACPL-M46U-000E improves CMR performance by using a detector IC with an optically transparent Faraday shield, which diverts the capacitively coupled current away from the sensitive IC circuitry. However, this shield does not eliminate the capacitive coupling between the LED and the optocoupler output pin and output ground as shown in Figure 15. This capacitive coupling causes perturbations in the LED current during common mode transients and becomes the major source of CMR failures for a shielded optocoupler. The main design objective of a high CMR LED drive circuit becomes keeping the LED in the proper state (on or off) during common mode transients. For example, the recommended application circuit (Figure 13), can achieve  $15 \text{ kV}/\mu\text{s}$  CMR while minimizing component complexity. Note that a CMOS gate is recommended in Figure 13 to keep the LED off when the gate is in the high state.

Another cause of CMR failure for a shielded optocoupler is direct coupling to the optocoupler output pins through  $C_{\text{LEDO1}}$  in Figure 15. Many factors influence the effect and magnitude of the direct coupling including: the position of the LED current setting resistor and the value of the capacitor at the optocoupler output ( $C_L$ ).

Techniques to keep the LED in the proper state and minimize the effect of the direct coupling are discussed in the next two sections.

### CMR with the LED on ( $\text{CMR}_L$ )

A high CMR LED drive circuit must keep the LED on during common mode transients. This is achieved by overdriving the LED current beyond the input threshold so that it is not pulled below the threshold during a transient. The recommended minimum LED current of 10 mA provides adequate margin over the maximum  $I_{\text{TH}}$  of 4.0 mA (see Figure 2) to achieve  $15 \text{ kV}/\mu\text{s}$  CMR.

The placement of the LED current setting resistor effects the ability of the drive circuit to keep the LED on during transients and interacts with the direct coupling to the optocoupler output. For example, the LED resistor in Figure 16 is connected to the anode. Figure 17 shows the AC equivalent circuit for Figure 16 during common mode transients. During a  $+dV_{\text{CM}}/dt$  in Figure 17, the current available at the LED anode ( $I_{\text{total}}$ ) is limited by the series resistor. The LED current ( $I_F$ ) is reduced from its DC value by an amount equal to the current that flows through  $C_{\text{LEDP}}$  and  $C_{\text{LEDO1}}$ . The situation is made worse because the

current through  $C_{\text{LEDO1}}$  has the effect of trying to pull the output high (toward a CMR failure) at the same time the LED current is being reduced. For this reason, the recommended LED drive circuit (Figure 13) places the current setting resistor in series with the LED cathode. Figure 18 is the AC equivalent circuit for Figure 13 during common mode transients. In this case, the LED current is not reduced during a  $+dV_{\text{CM}}/dt$  transient because the current flowing through the package capacitance is supplied by the power supply. During a  $dV_{\text{CM}}/dt$  transient, however, the LED current is reduced by the amount of current flowing through  $C_{\text{LEDN}}$ . But, better CMR performance is achieved since the current flowing in  $C_{\text{LEDO1}}$  during a negative transient acts to keep the output low.

### CMR with the LED Off ( $\text{CMR}_H$ )

A high CMR LED drive circuit must keep the LED off ( $V_F \leq V_{\text{F(OFF)}}$ ) during common mode transients. For example, during a  $+dV_{\text{CM}}/dt$  transient in Figure 18, the current flowing through  $C_{\text{LEDN}}$  is supplied by the parallel combination of the LED and series resistor. As long as the voltage developed across the resistor is less than  $V_{\text{F(OFF)}}$  the LED will remain off and no common mode failure will occur. Even if the LED momentarily turns on, the 100 pF capacitor from pins 5-4 will keep the output from dipping below the threshold. The recommended LED drive circuit (Figure 13) provides about 10 V of margin between the lowest optocoupler output voltage and a 3 V IPM threshold during a  $15 \text{ kV}/\mu\text{s}$  transient with  $V_{\text{CM}} = 1500 \text{ V}$ . Additional margin can be obtained by adding a diode in parallel with the resistor, as shown by the dashed line connection in Figure 18, to clamp the voltage across the LED below  $V_{\text{F(OFF)}}$ .

Since the open collector drive circuit, shown in Figure 19, cannot keep the LED off during a  $+dV_{\text{CM}}/dt$  transient, it is not desirable for applications requiring ultra high  $\text{CMR}_H$  performance. Figure 20 is the AC equivalent circuit for Figure 19 during common mode transients. Essentially all the current flowing through  $C_{\text{LEDN}}$  during a  $+dV_{\text{CM}}/dt$  transient must be supplied by the LED.  $\text{CMR}_H$  failures can occur at  $dv/dt$  rates where the current through the LED and  $C_{\text{LEDN}}$  exceeds the input threshold. Figure 21 is an alternative drive circuit which does achieve ultra high CMR performance by shunting the LED in the off state.

## IPM Dead Time and Propagation Delay Specifications

The ACPL-M46U-000E includes a Propagation Delay Difference specification intended to help designers minimize “dead time” in their power inverter designs. Dead time is the time period during which both the high and low side power transistors (Q1 and Q2 in Figure 22) are off. Any overlap in Q1 and Q2 conduction will result in large currents flowing through the power devices between the high and low voltage motor rails.

To minimize dead time the designer must consider the propagation delay characteristics of the optocoupler as well as the characteristics of the IPM IGBT gate drive circuit. Considering only the delay characteristics of the optocoupler (the characteristics of the IPM IGBT gate drive circuit can be analyzed in the same way) it is important to know the minimum and maximum turn-on ( $t_{PHL}$ ) and turn-off ( $t_{PLH}$ ) propagation delay specifications, preferably over the desired operating temperature range.

The limiting case of zero dead time occurs when the input to Q1 turns off at the same time that the input to Q2 turns on. This case determines the minimum delay between LED1 turn-off and LED turn-on, which is related to the worst case optocoupler propagation delay waveforms, as shown in Figure 23. A minimum dead time of zero is achieved in Figure 23 when the signal to turn on LED is delayed by ( $t_{PLH \max} - t_{PHL \min}$ ) from the LED1 turn

off. Note that the propagation delays used to calculate PDD are taken at equal temperatures since the optocouplers under consideration are typically mounted in close proximity to each other. (Specifically,  $t_{PLH \max}$  and  $t_{PHL \min}$  in the previous equation are not the same as the  $t_{PLH \max}$  and  $t_{PHL \min}$ , over the full operating temperature range, specified in the data sheet.) This delay is the maximum value for the propagation delay difference specification which is specified at 370 ns for the ACPL-M46U-000E over an operating temperature range of  $-40^{\circ}\text{C}$  to  $125^{\circ}\text{C}$ .

Delaying the LED signal by the maximum propagation delay difference ensures that the minimum dead time is zero, but it does not tell a designer what the maximum dead time will be. The maximum dead time occurs in the highly unlikely case where one optocoupler with the fastest  $t_{PLH}$  and another with the slowest  $t_{PHL}$  are in the same inverter leg. The maximum dead time in this case becomes the sum of the spread in the  $t_{PLH}$  and  $t_{PHL}$  propagation delays as shown in Figure 24. The maximum dead time is also equivalent to the difference between the maximum and minimum propagation delay difference specifications. The maximum dead time (due to the optocouplers) for the ACPL-M46U-000E is 520 ns ( $= 370 \text{ ns} - (-150 \text{ ns})$ ) over an operating temperature range of  $-40^{\circ}\text{C}$  to  $125^{\circ}\text{C}$ .

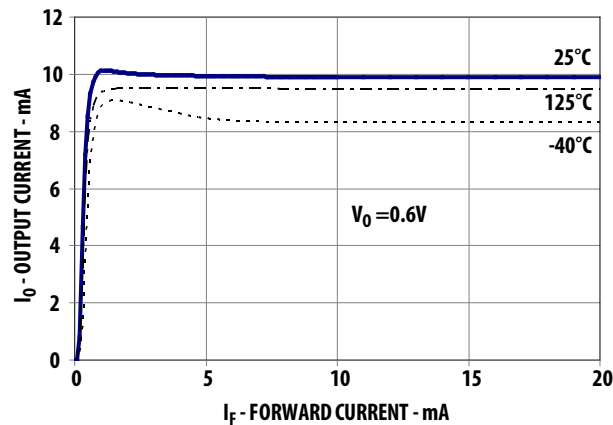


Figure 2. Typical Transfer Characteristics.

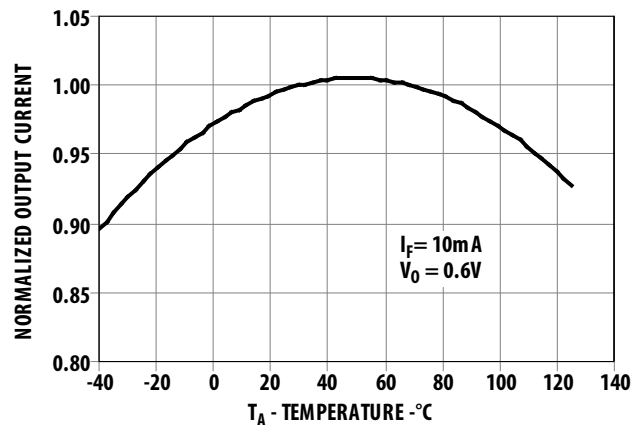


Figure 3. Normalized Output Current vs. Temperature.



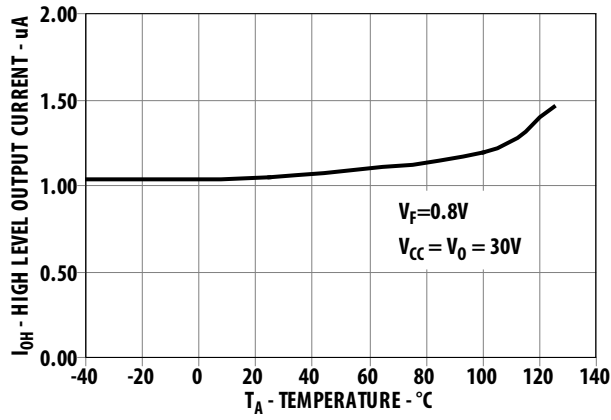


Figure 4. High Level Output Current vs. Temperature.

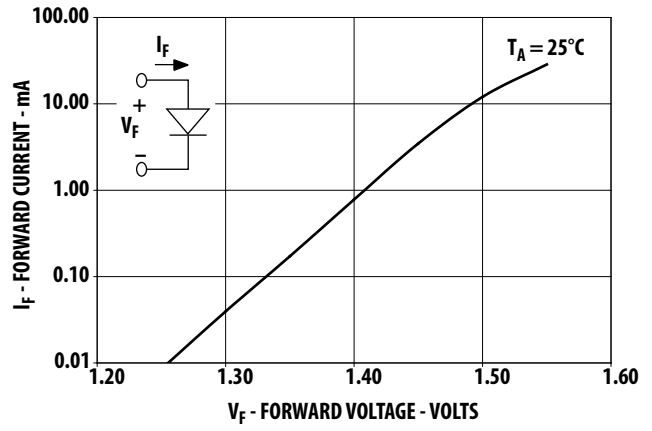


Figure 5. Input Current vs. Forward Voltage.

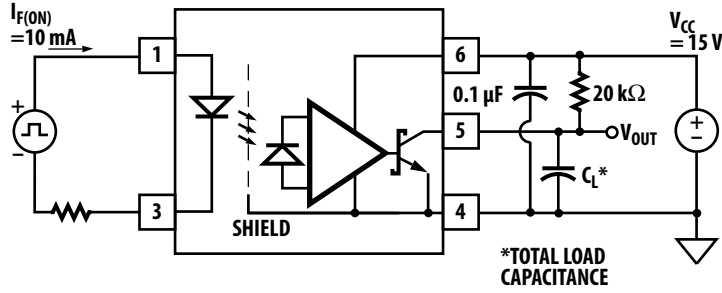


Figure 6. Propagation Delay Test Circuit.

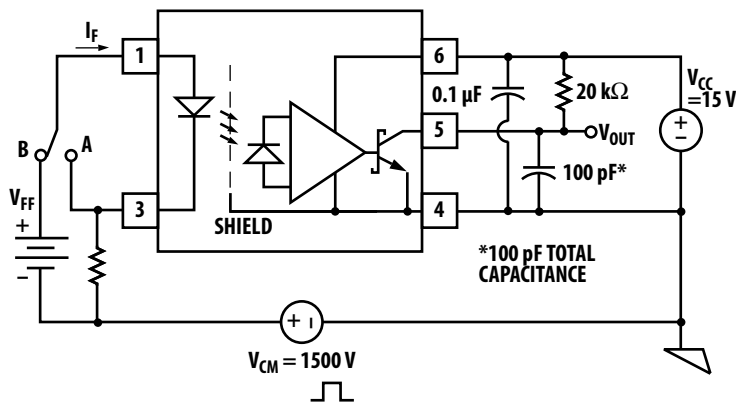
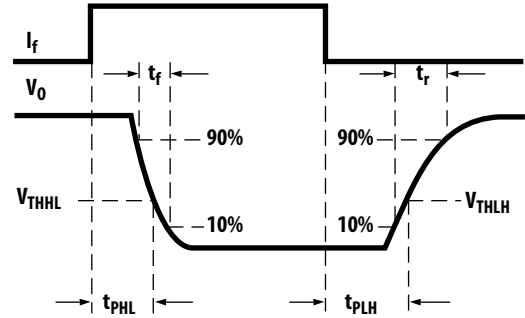
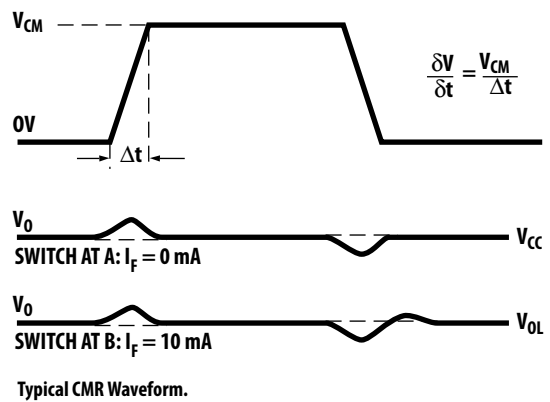


Figure 7. CMR Test Circuit.



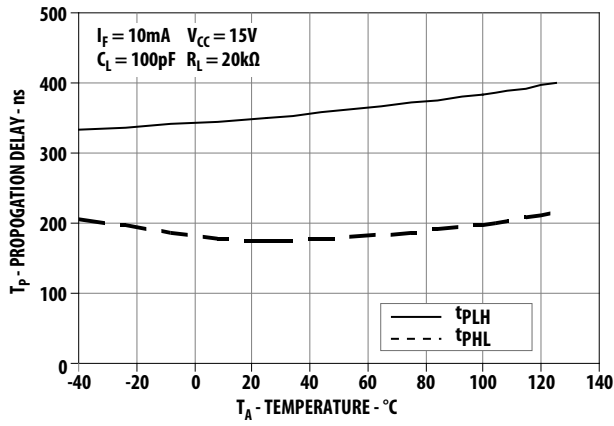


Figure 8. Propagation Delay with External 20 kΩ R<sub>L</sub> vs. Temperature.

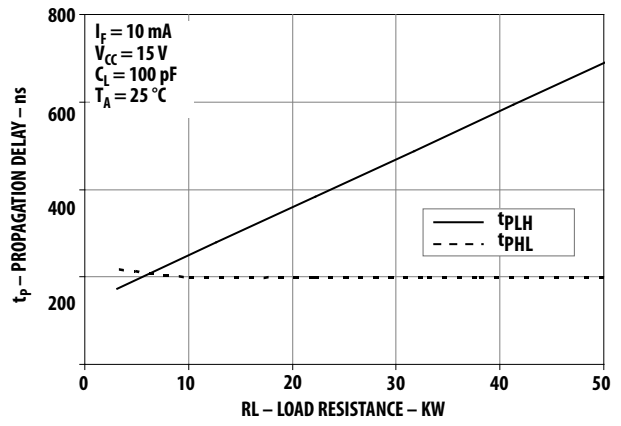


Figure 9. Propagation Delay vs. Load Resistance.

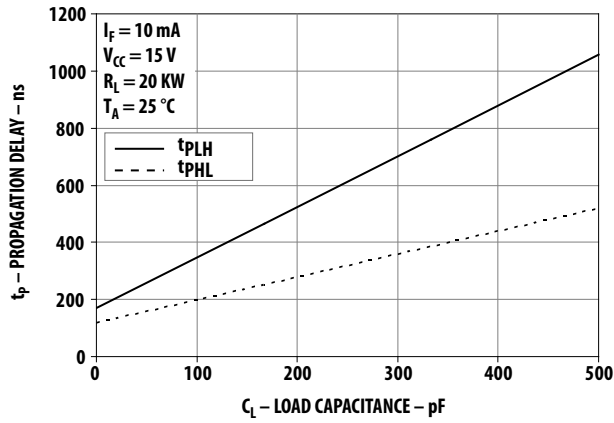


Figure 10. Propagation Delay vs. Load Capacitance.

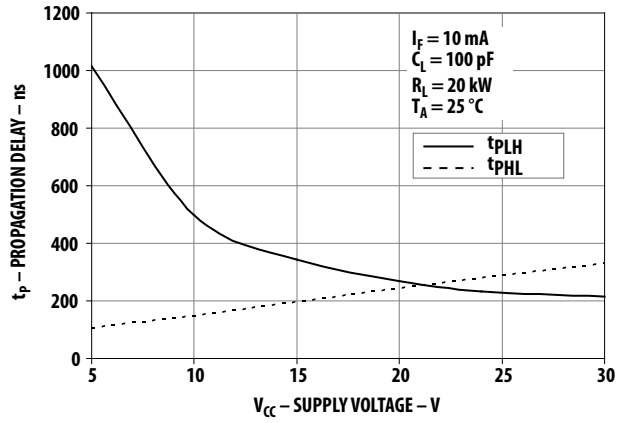


Figure 11. Propagation Delay vs. Supply Voltage.

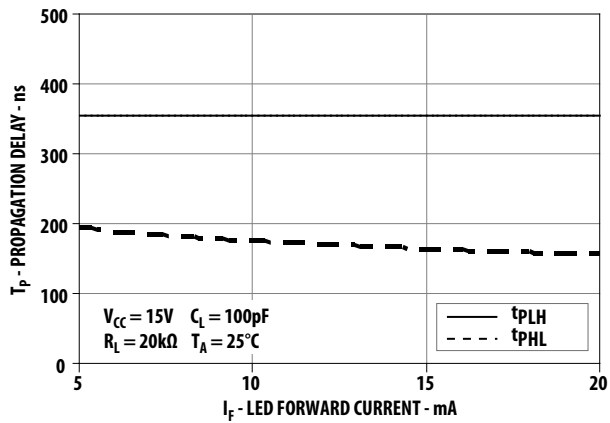


Figure 12. Propagation Delay vs. Input Current.

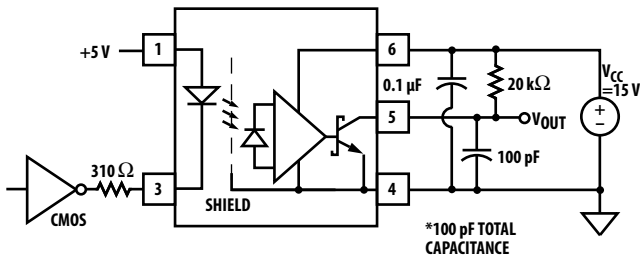


Figure 13. Recommended LED Drive Circuit.

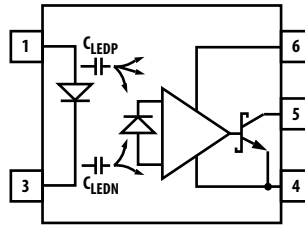


Figure 14. Optocoupler Input to Output Capacitance Model for Unshielded Optocouplers.

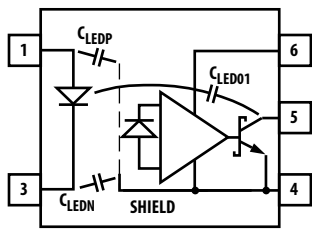


Figure 15. Optocoupler Input to Output Capacitance Model for Shielded Optocouplers.

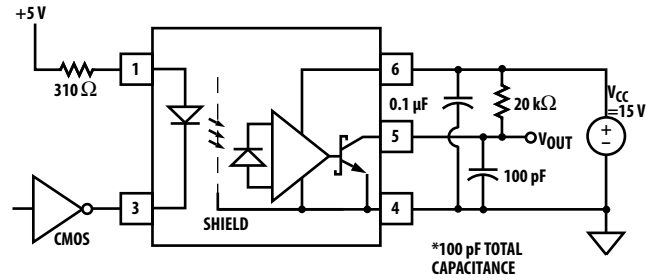


Figure 16. LED Drive Circuit with Resistor Connected to LED Anode (Not Recommended).

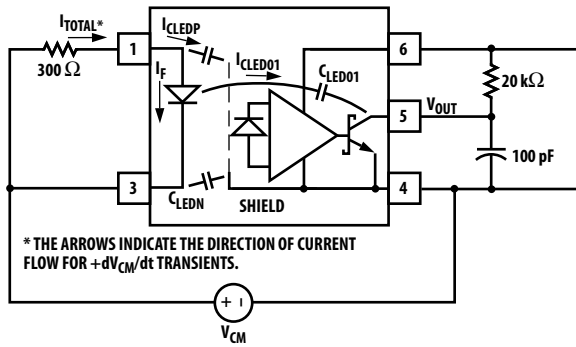


Figure 17. AC Equivalent Circuit for Figure 16 during Common Mode Transients.

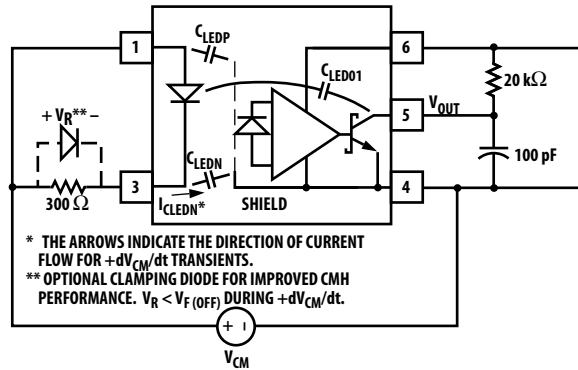


Figure 18. AC Equivalent Circuit for Figure 13 during Common Mode Transients.

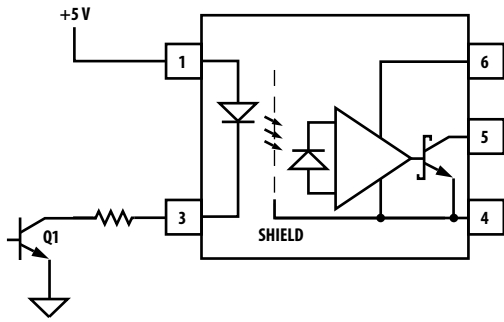


Figure 19. Not Recommended Open Collector LED Drive Circuit.

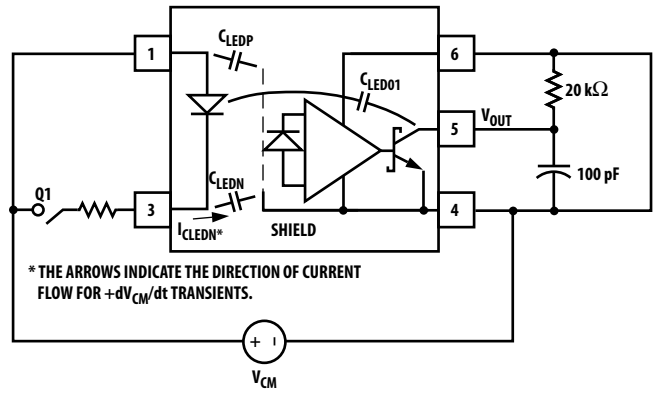


Figure 20. AC Equivalent Circuit for Figure 19 during Common Mode Transients.

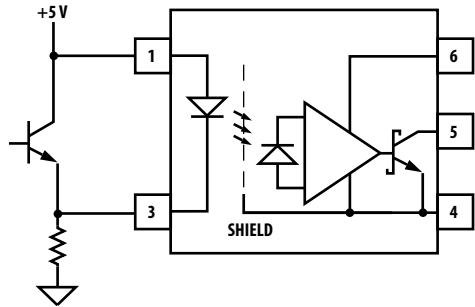


Figure 21. Recommended LED Drive Circuit for Ultra High CMR.

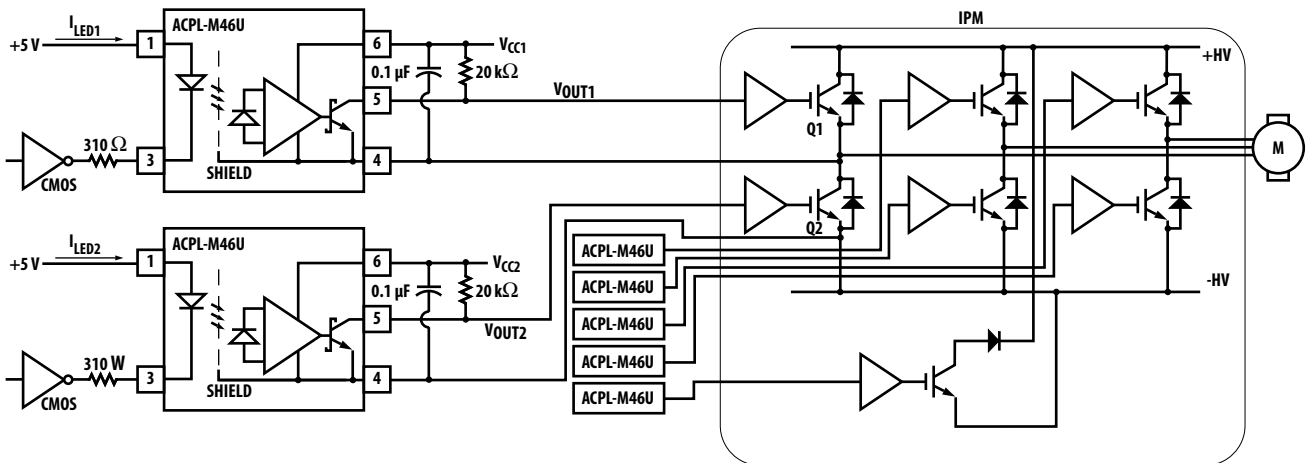
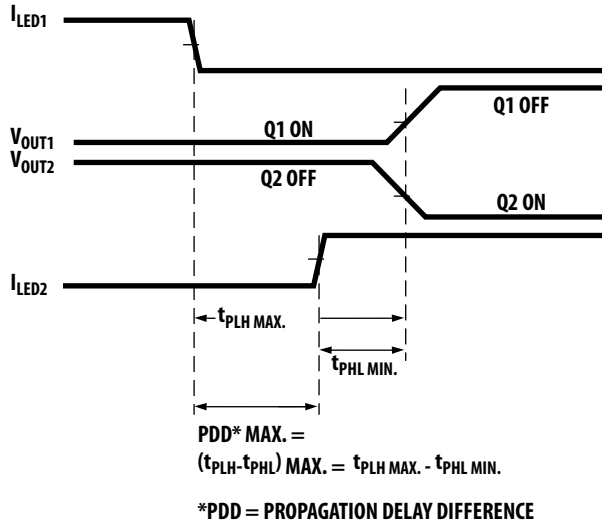
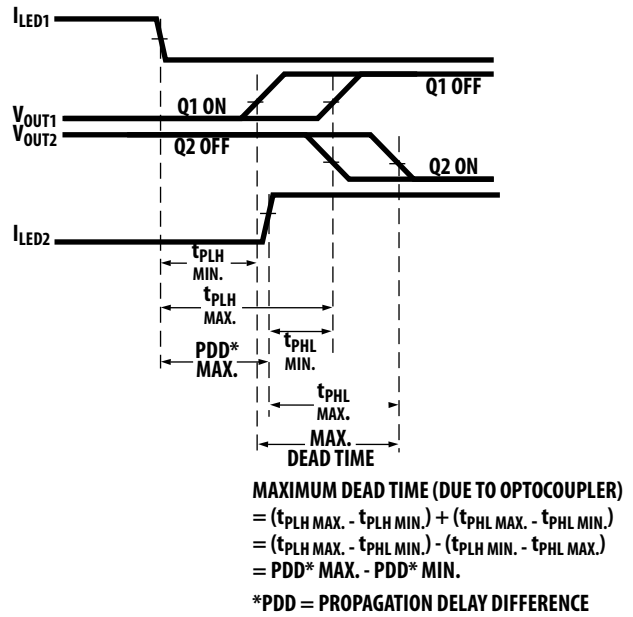


Figure 22. Typical Application Circuit.



Note: the propagation delays used to calculate Pdd are taken at equal temperatures.

Figure 23. Minimum LED Skew for Zero Dead Time.



Note: the propagation delays used to calculate the maximum Dead time are taken at equal temperatures.

Figure 24. Waveforms for Deadtime Calculation.

For product information and a complete list of distributors, please go to our web site: [www.avagotech.com](http://www.avagotech.com)

Avago, Avago Technologies, the A logo and R<sup>2</sup>Coupler™ are trademarks of Avago Technologies in the United States and other countries. Data subject to change. Copyright © 2005-2013 Avago Technologies. All rights reserved. Obsoletes 5989-2118EN AV02-0949EN - October 3, 2013

