
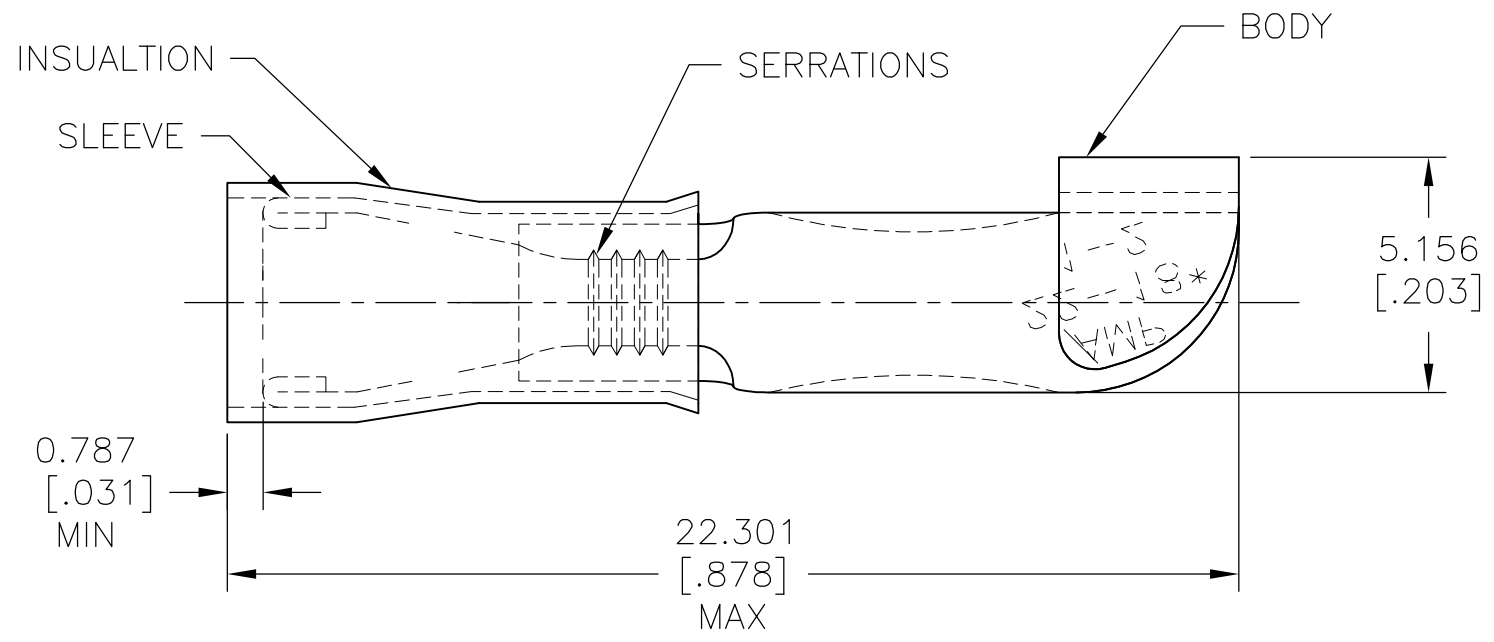
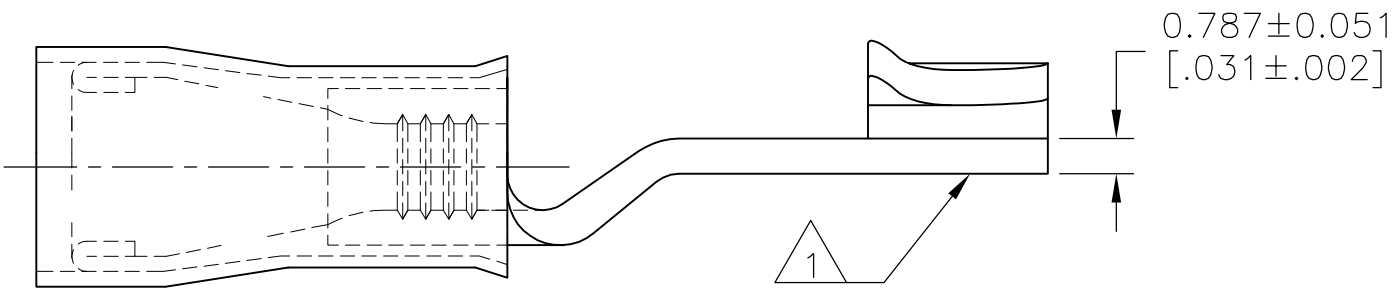


| REVISIONS | | | | | |
|-----------|-----|---------------------------|-----------|-----|------|
| P | LTR | DESCRIPTION | DATE | DWN | APVD |
| | E3 | REVISED PER ECO-12-002692 | 13FEB12 | KH | DR |
| | E4 | REVISED PER ECO-17-007400 | 18DEC2017 | RS | DR |

| | |
|--------------------------------|--|
| AMP WIRE RANGE |  FILE E66717 |
| 22-16 AWG SOLID OR STRANDED | 22-16 AWG SOLID OR STRANDED |



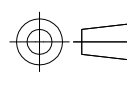
- 1 STAMP AMP 22-18* APPROX AS SHOWN
22-16 TERMINALS ARE STAMPED 22-18 IN
ACCORDANCE WITH MILITARY SPEC SAE AS7928
COMMERCIAL WIRE RANGE IS 22-16
- 2 WIRE INSUL : $\phi 2.032-3.175[\phi .080-.125]$
- 3 MATERIAL: BODY - CU PER ASTM B152
SLEEVE - CU PER ASTM B152
INSULATION - NYLON
- 4 FINISH: BODY & SLEEVE: TIN PER ASTM B-545
INSULATION - COLOR: RED
- 5 NOTE DELETED.




| | | |
|-----|--------------|---------|
| 500 | LOOSE PIECE | 320555 |
| QTY | PACKAGE TYPE | PART NO |

| | |
|---|--|
| AMP INCORPORATED CUSTOMER SERVICE SYSTEMS | |
| FOR ADDITIONAL PRODUCT INFORMATION OR COPIES OF DRAWINGS AND TECHNICAL DOCUMENTS | PRODUCT INFORMATION CENTER 1-800-522-6752 |
| FOR APPLICATION TOOLING INFORMATION | TOOLING ASSISTANCE CENTER 1-800-722-1111 |
| FOR ORDER ENTRY | 1-800-526-5142 |

| |
|--|
| MAX RECOMMENDED OPERATING TEMPERATURE: 105°C [221°F] |
| VOLTAGE RATING: 300 V MAX |
| CIRCULAR MIL AREA: 0.26-1.65mm ² [509-3260] SOLID OR STRANDED |

| | |
|---|--|
| THIS DRAWING IS A CONTROLLED DOCUMENT. | |
| DIMENSIONS: mm [INCHES] | TOLERANCES UNLESS OTHERWISE SPECIFIED: |
|  | 0 PLC ± - 1 PLC ± - 2 PLC ± - 3 PLC ± 0.127[.005] 4 PLC ± - ANGLES ± 5° |
| MATERIAL | FINISH |
| 3 | 4 |

| | |
|-------------------------|----------|
| DWN jr_ruth | 12JUN09 |
| CHK TOM MICHIELUTTI | 12JUN09 |
| APVD TOM MICHIELUTTI | 12JUN09 |
| PRODUCT SPEC | UL 486A |
| APPLICATION SPEC | 114-2157 |
| WEIGHT | - |
| CUSTOMER DRAWING | |

| | | | |
|---|-----------|--------------|---------------|
|  TE Connectivity | | | |
| NAME TERMINAL, P.I.D.G., KNIFE DISCONNECT, WIRE SIZE: 22-16 | | | |
| SIZE | CAGE CODE | DRAWING NO | RESTRICTED TO |
| A3 | 00779 | C-320555 | - |
| SCALE 6:1 | | SHEET 1 OF 1 | REV E4 |