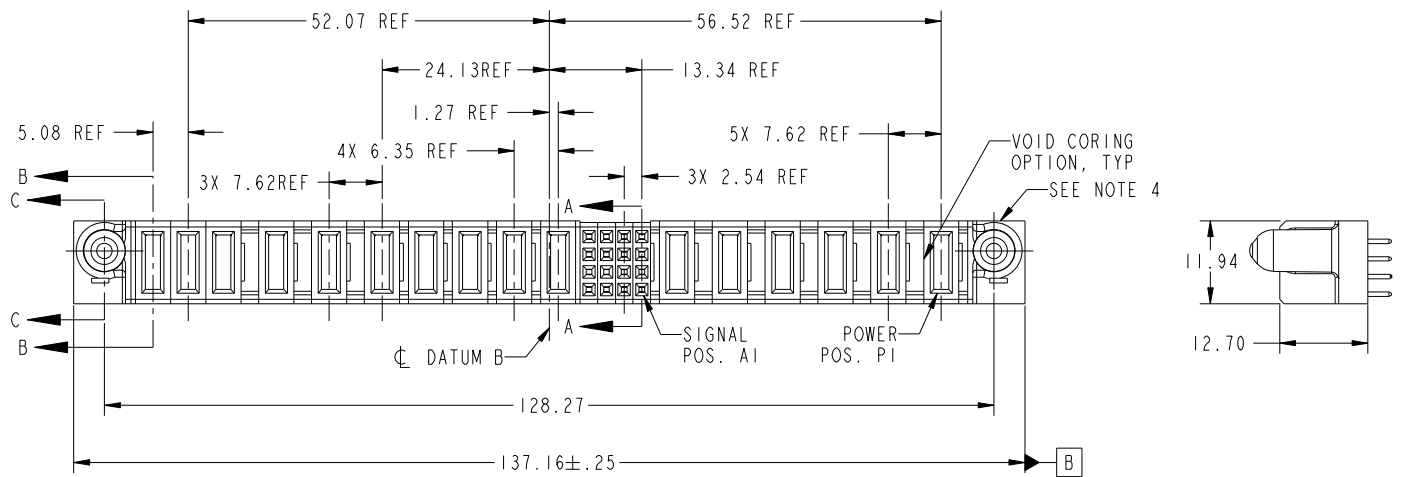


Tous droits strictement reserves. Reproduction ou communication a des tiers interdite sous quelque forme que ce soit sans autorisation écrite du propriétaire. Propriete de c FCI. Droits de reproduction FCI.



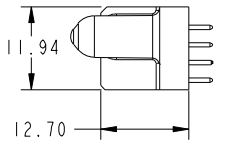
All rights strictly reserved. Reproduction or issue to third parties in any form whatever is not permitted without written authority from the proprietor. Property of FCI. Copyright FCI.

PRODUCT NO.	ROWS	POWER											SIGNAL			POWER					E1		
		E2	P16	P15	P14	P13	P12	P11	P10	P9	P8	P7	4	3	2	1	P6	P5	P4	P3		P2	P1
51940-219-- NOTE: 3	D C B A																						



CODE	DIM "M" MATING LENGTH	CONTACT TYPE
E	[N/A]	SIGNAL
PD	[2.34]	POWER
PA	[1.07]	POWER
X	OMITTED	OMITTED

mat'l code				SEE NOTES		tolerances unless otherwise specified		CUSTOMER		
ltr	ecn no.	dr	date	linear	0.X ± 0.3	projection	COPY			
A	DG07-0081	JMG	03/09/07	angles	0.XX ± 0.13		title			
				enr	0.XXX ± 0.051		6ACP + 16S + 10P			
				chr	0° ± 2°	scale	VERTICAL SOLDER RECEPT			
				appd	JM GUO 03/09/07	1:1	product family		PwrBlade	code
					RYAN YUAN 03/09/07		size	dwg no		213
					GARY HSIEH 03/09/07		A	51940-219		sheet
					JOSEPH HSIA 03/09/07					1 of 4
sheet index	revision sheet	A	A	A	A					
		1	2	3	4					



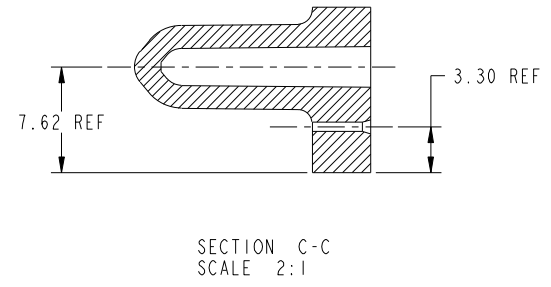
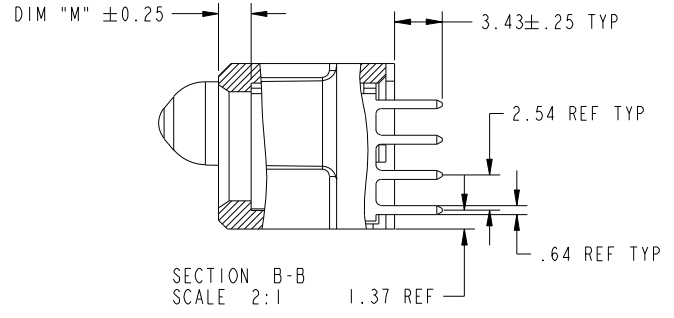
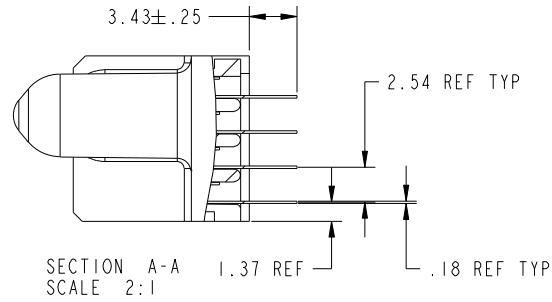
1 | 2 | Pro/E | 3 | cage code 22526 | 4

Tous droits strictement reserves. Reproduction ou communication a des tiers interdite sous quelque forme que ce soit sans autorisation écrite du propriétaire. Propriete de c FCI. Droits de reproduction FCI.



All rights strictly reserved. Reproduction or issue to third parties in any form whatever is not permitted without written authority from the proprietor. Property of FCI. Copyright FCI.

PRODUCT NUMBER
51940-219--
NOTE: 3



mat'l code				tolerances unless otherwise specified		CUSTOMER		FCI	
ltr	ecn no.	dr	date	linear	0.X ± 0.3	COPY		www.fciconnect.com	
A					0.XX ± 0.13	projection		title	
				angles	0.XXX ± 0.051			6ACP + 16S + 10P VERTICAL SOLDER RECEPT	
				dr	0° ± 2°			product family PwrBlade code	
				enr	JM GUO 03/09/07	scale		size	
				chr	RYAN YUAN 03/09/07	1:1		dwg no	
				appd	GARY HSIEH 03/09/07			A 51940-219	
					JOSEPH HSIA 03/09/07			sheet 213	
sheet index		revision sheet						2 of 4	

cage code 22526

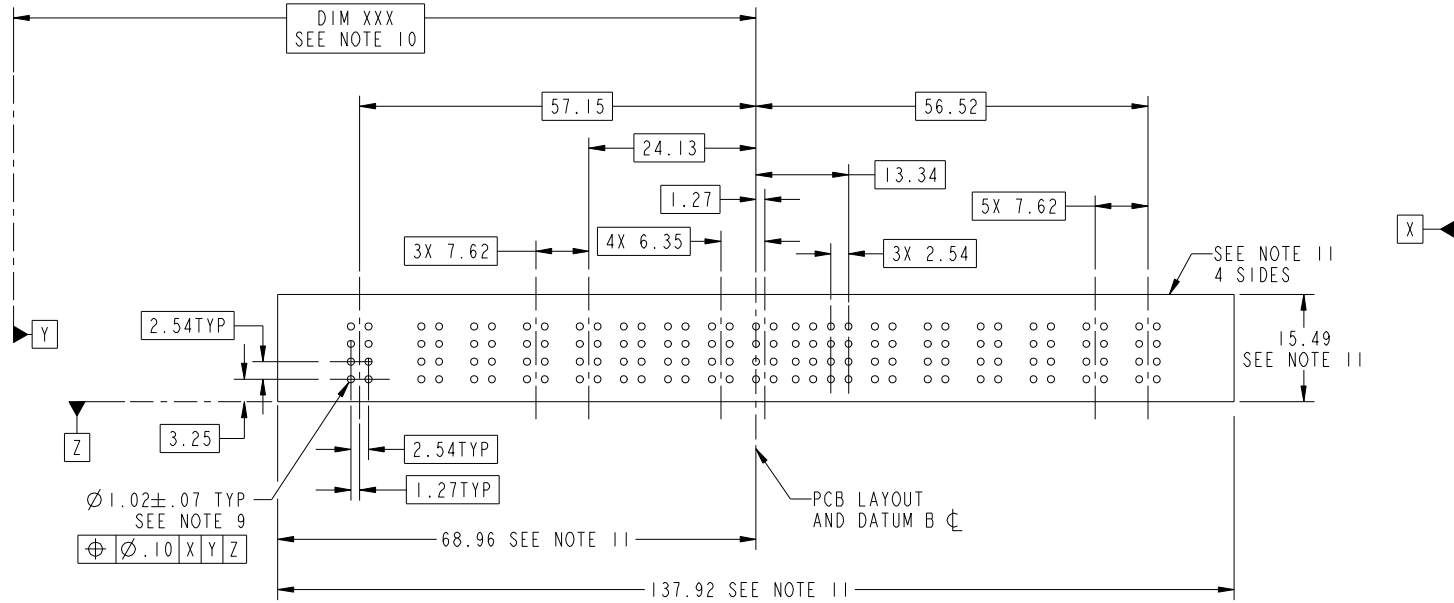
Pro/E

Tous droits strictement reserves. Reproduction ou communication a des tiers interdite sous quelque forme que ce soit sans autorisation écrite du propriétaire. Propriete de c FCI. Droits de reproduction FCI.



All rights strictly reserved. Reproduction or issue to third parties in any form whatever is not permitted without written authority from the proprietor. Property of FCI. Copyright FCI.

PRODUCT NUMBER
51940-219--
NOTE: 3



mat'l code				tolerances unless otherwise specified		CUSTOMER		FCI	
ltr	ecn no.	dr	date	linear	0.X ± 0.3	COPY		www.fciconnect.com	
A					0.XX ± 0.13	projection		title	
				angles	0.XXX ± 0.051			6ACP + 16S + 10P VERTICAL SOLDER RECEPT	
				dr	JM GUO 03/09/07	MIM		product family	PwrBlade
				enr	RYAN YUAN 03/09/07			size	code
				chr	GARY HSIEH 03/09/07	scale		dwg no	213
				appd	JOSEPH HSIA 03/09/07	1:1		51940-219	sheet
sheet index	revision sheet							3 of 4	

cage code 22526

Pro/E

Tous droits strictement reserves. Reproduction ou communication a des tiers interdite sous quelque forme que ce soit sans autorisation écrite du propriétaire. Propriete de c FCI. Droits de reproduction FCI.

All rights strictly reserved. Reproduction or issue to third parties in any form whatever is not permitted without written authority from the proprietor. Property of FCI. Copyright FCI.

PRODUCT NUMBER
51940-219--
NOTE: 3

NOTES:

1. DIMENSIONS AND TOLERANCES ARE IN ACCORDANCE WITH ASME Y14.5M, 1994 UNLESS OTHERWISE SPECIFIED.

CONNECTOR NOTES:

- ② HOUSING MATERIAL: UL 94 V-0 GLASS FILLED
HIGH-TEMP THERMOPLASTIC
POWER CONTACT MATERIAL: COPPER ALLOY
SIGNAL PIN MATERIAL: COPPER ALLOY
- 3. PLATING SPEC.
51940-219, 51940-219LF PLATING SPEC. WAS SHOWN IN THE PRINT OF 10064183.
- ④ MANUFACTURER'S NAME, P/N, AND DATE CODE TO APPEAR ON THIS SURFACE.
- 5. PRODUCT SPECIFICATION GS-12-149.
APPLICATION SPECIFICATION BUS-20-067.
- 6. PACKAGED IN TRAYS.

PCB NOTES:

- 7. ALL HOLE DIAMETERS ARE FINISHED HOLE SIZE.
- ⑧ MOUNTING HOLES, WHERE APPLICABLE, ARE UNPLATED.
- ⑨ $\varnothing 1.151 \pm 0.025$ DRILLED HOLES PLATED WITH
0.008 MIN SnPb OR Sn OVER 0.03
TO 0.08 Cu PLATING TO ACHIEVE
 $\varnothing 1.02 \pm .07$ HOLE.
- ⑩ "DIM XXX" TO BE DETERMINED BY THE CUSTOMER.
- ⑪ CONNECTOR KEEP-OUT ZONE.

mat'l code				tolerances unless otherwise specified		CUSTOMER		FCI		www.fciconnect.com	
ltr	ecr no.	dr	date	linear	0.X ± 0.3		COPY		projection	title	
A					0.XX ± 0.13		MIM			6ACP + 16S + 10P VERTICAL SOLDER RECEPT	
					0.XXX ± 0.051		MIM			product family PwrBlade code 213	
				angles	0° ± 2°		← MIM →		size	dwg no	sheet
				dr	JM GUO	03/09/07	scale		A	51940-219	4 of 4
				enrg	RYAN YUAN	03/09/07	1:1				
				chr	GARY HSIEH	03/09/07					
				appd	JOSEPH HSIA	03/09/07					
sheet index	revision sheet										

cage code 22526

Pro/E