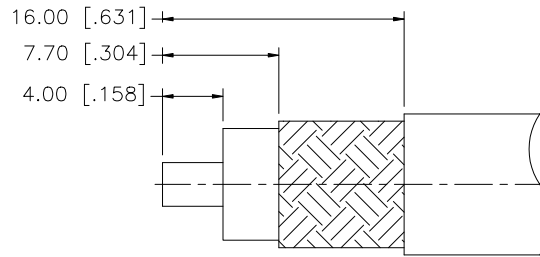
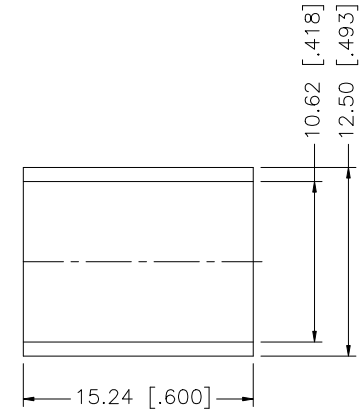
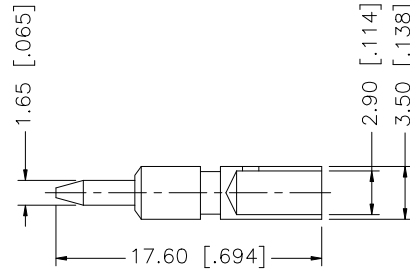
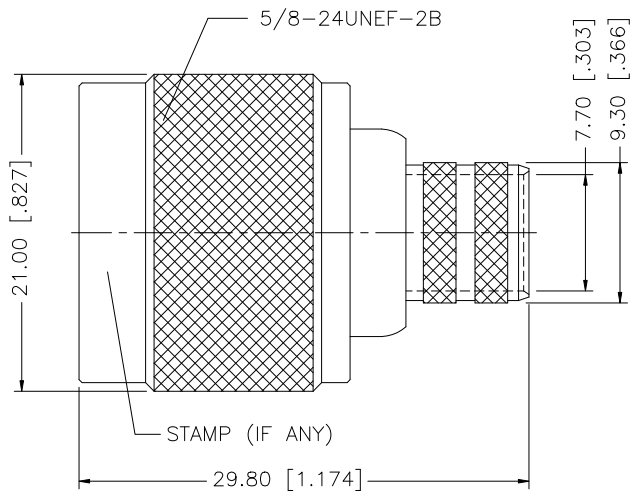


REV.	DATE	ECR NO.	DESCRIPTION
A	02/08/03	-	UPDATE DRAWING FORMAT
B	02/23/06	-	MODIFY FERRULE DIAMETERS
C	05/22/06	-	MODIFY FERRULE LENGTH
D	05/27/08	100021	REVISE CONTACT PIN (ITEM 5) PLATING TO "GOLD"



RECOMMENDED  
CABLE STRIPPING DIM'S

NOTE:

1. CRIMPED FERRULE HEX CRIMP SIZE .429"
2. CRIMPED CONTACT PIN HEX CRIMP SIZE .118"

DESCRIPTION	MATERIAL	FINISH	QTY	DO NOT SCALE DRAWING	APPROVALS	DATE	Amphenol Connex								
8				<small>UNLESS OTHERWISE SPECIFIED DIMENSIONS ARE IN MILLIMETERS. DIMENSIONS IN [ ] ARE IN INCHES AND FOR CUSTOMER REFERENCE ONLY.</small> <small>UNLESS OTHERWISE SPECIFIED TOLERANCES FOR MILLIMETERS ARE:</small> 0.5 - 8mm ± 0.20mm 8 - 30mm ± 0.40mm 30 - 120mm ± 0.50mm <small>UNLESS OTHERWISE SPECIFIED TOLERANCES FOR INCHES ARE:</small> .020 - .315 = ± 0.007" .315 - 1.180 = ± 0.015" 1.180 - 4.724 = ± 0.020"	DRAWN	G.R.S.	05/27/08	PART DESCRIPTION <b>N CRIMP PLUG (FOR LMR400, B9913 CABLE)</b>							
7			CHECKED												
6	FERRULE	COPPER	NEXCOTE		1	ISSUED		PART NO. <b>172102H243</b>							
5	CONTACT PIN	BRASS	GOLD		1	SHEET	1 OF 1								
4	RETAINER RING	SUS 304	NATURAL		1			DWG. NO.	172102H243.DWG	REV.	D	SIZE	A	SCALE	NA
3	GASKET	SILICONE	RED		1										
2	INSULATOR	TEFLON	NATURAL		1										
1	SHELL/BODY	BRASS	NEXCOTE		1										
					CAD FILE	C:/172/172102H243.DWG									