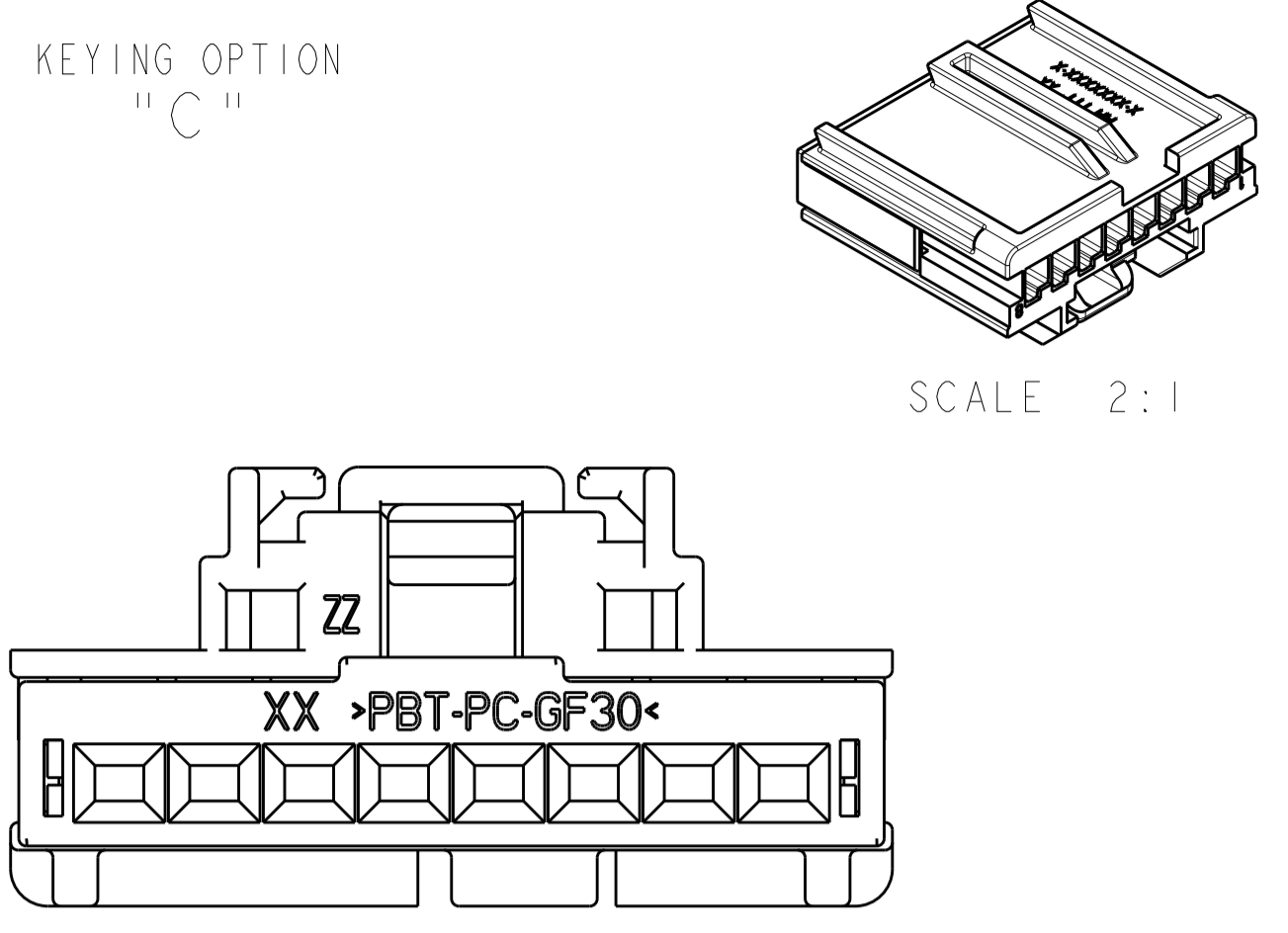
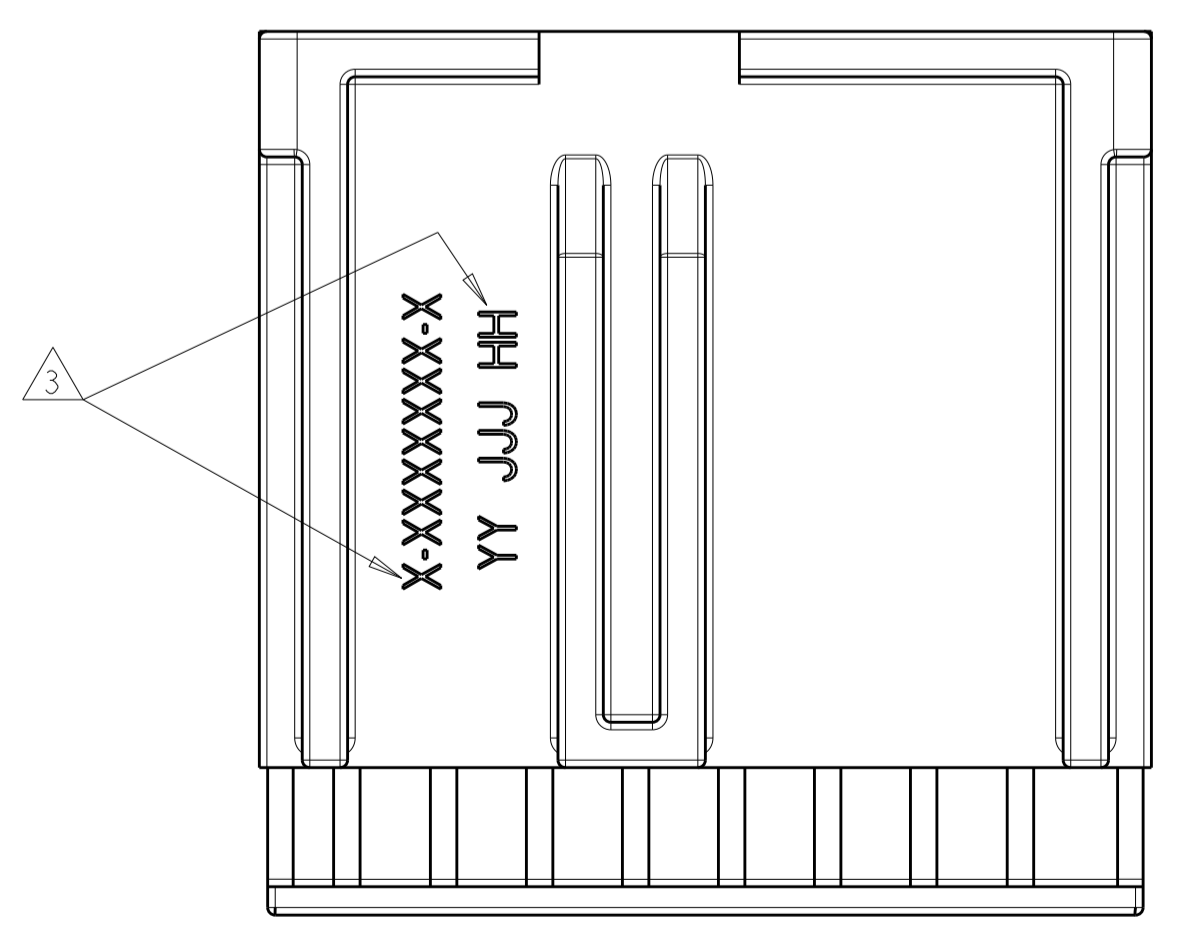
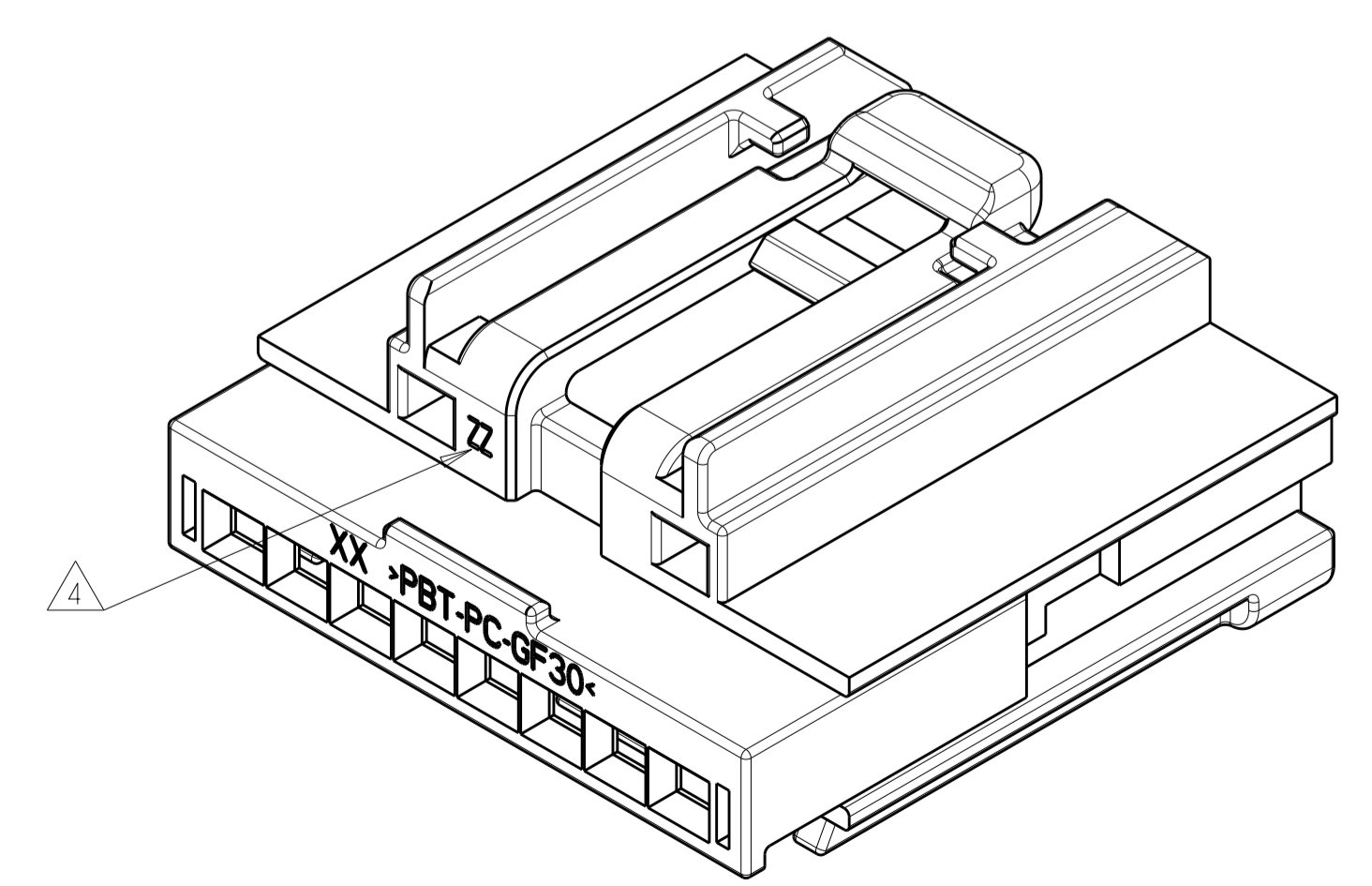
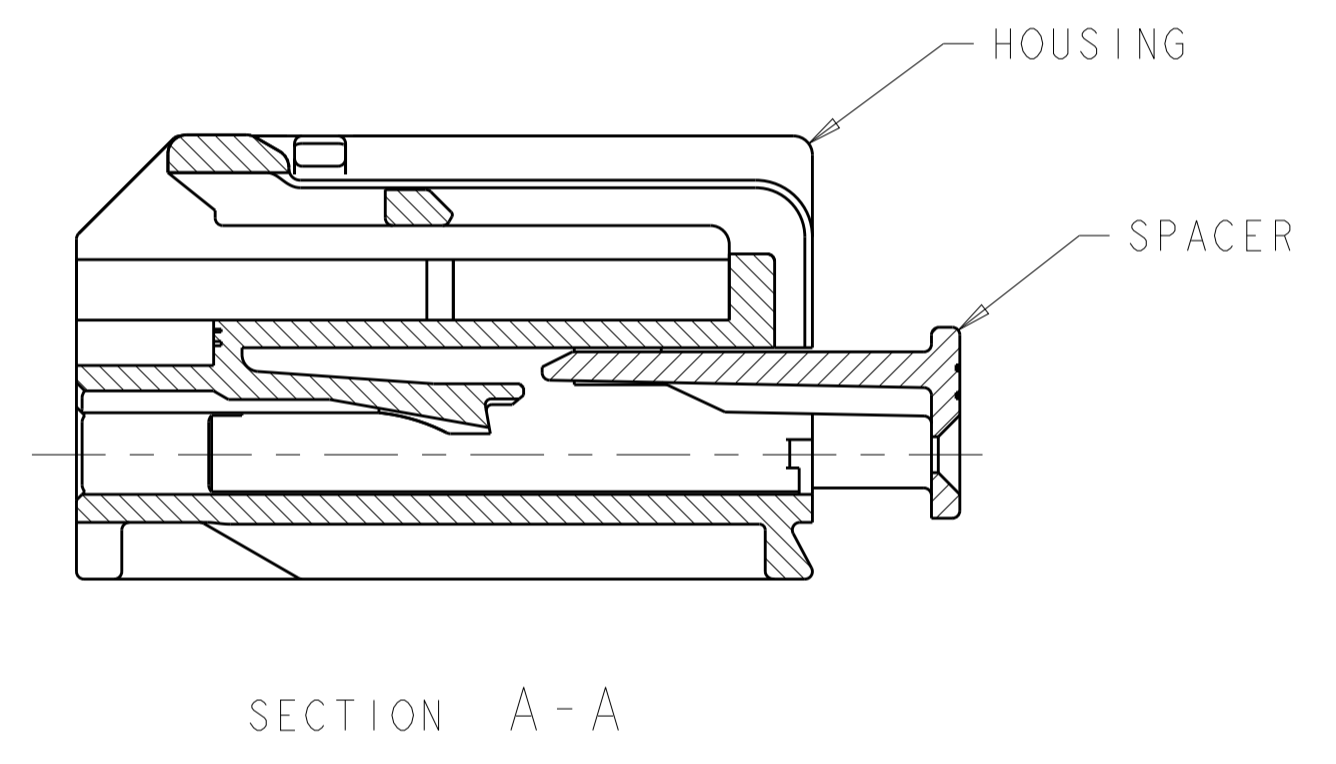
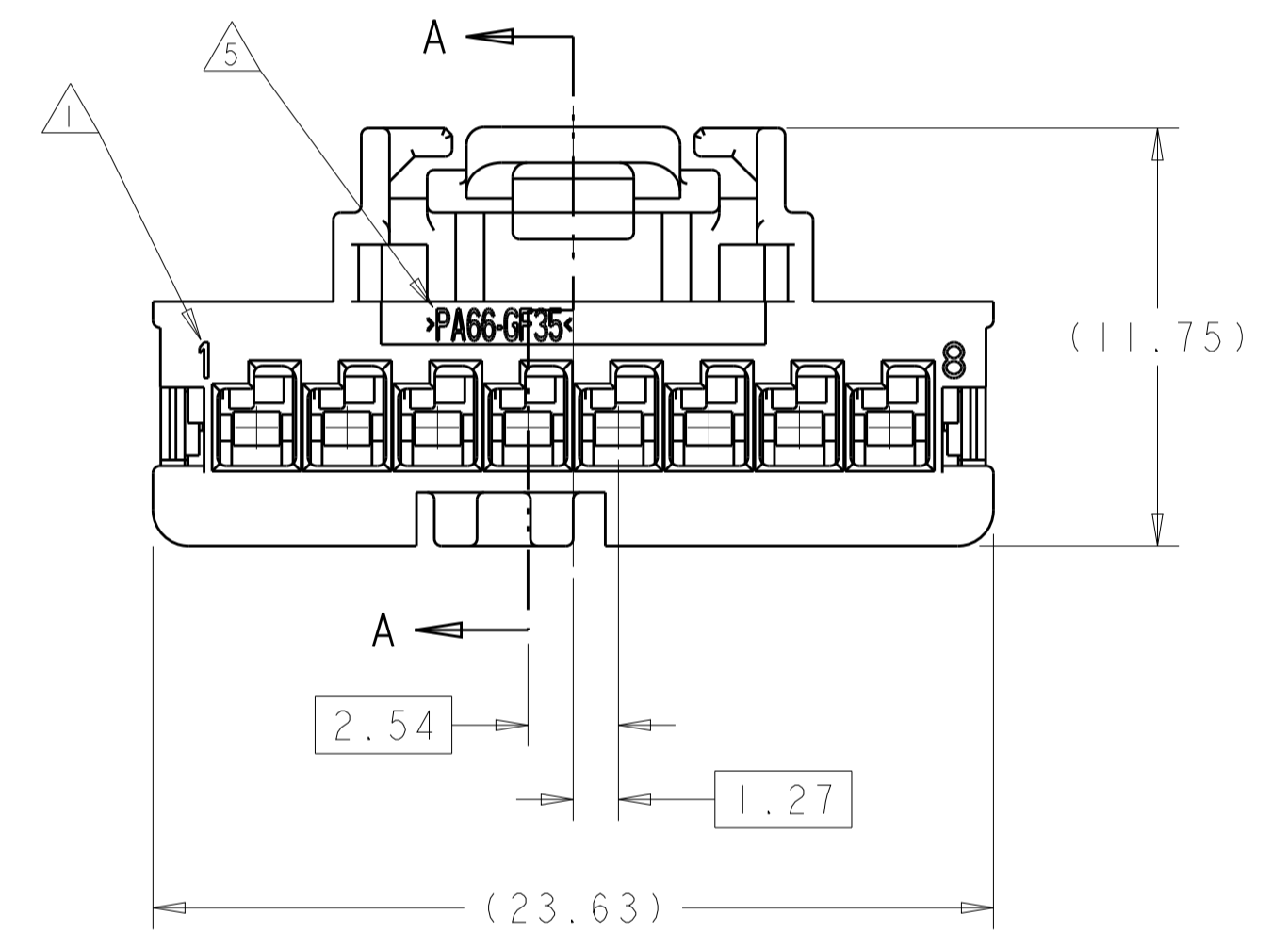
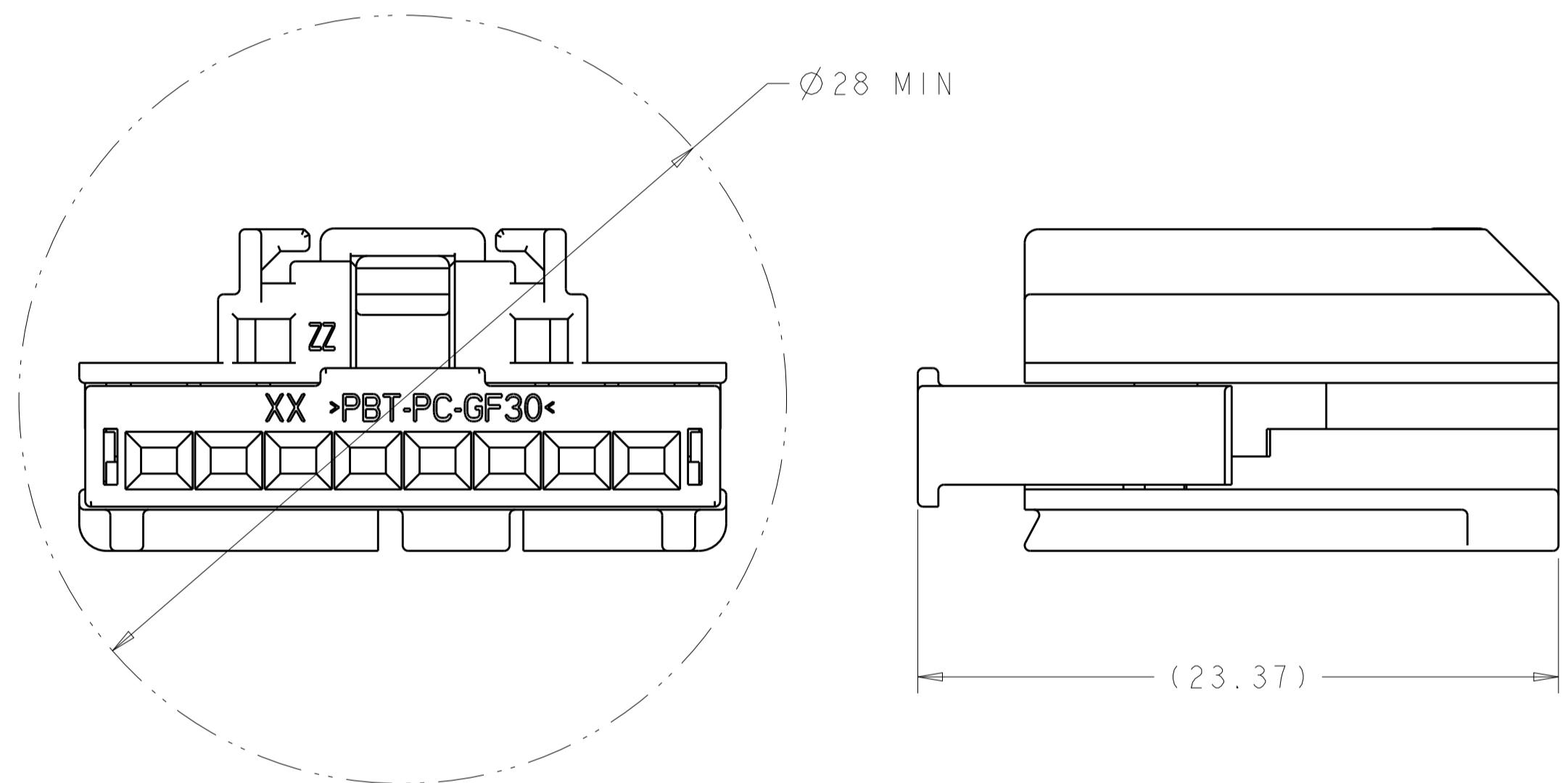


REVISIONS					
P.	LTN	DESCRIPTION	DATE	DWN	APVD
B		REVISED PER ECR 07-029464	04JAN2008	DD	DZ
B1		REVISED PER ECO 15-006720	07MAY2015	DD	RL



- △ TERMINAL CAVITY ID.
- 2. SPACER IS SHIPPED IN PRE-ASSEMBLY POSITION.
- △ 3 PART NUMBER AND DATE CODE.
- △ 4 MOLD CAVITY ID.
- △ 5 MATERIAL IDENTIFICATION.
- 6. PACKAGING: CONNECTOR ASSEMBLIES BULK PACKED IN CARDBOARD BOX.
- 7. DURING SHIPPING AND HANDLING THE TPA MAY BE DISPLACED TO IT'S LOCKED POSITION. THE CONNECTOR CAN BE RETURNED TO IT'S PROPER FUNCTION USING IS SHEET 408-10104.
- 8. APPLICABLE TERMINAL PART NUMBERS (SOLD SEPARATELY) GOLD APPLICATIONS 1393364 AND 1393365. TIN APPLICATIONS 1393366 AND 1393367 FOR TERMINATION AND REELING OPTIONS, SEE DRAWINGS: 1393364, 1393365, 1393366 AND 1393367.



"C"	PBT	RED	NYLON	BLACK	1488903-1
KEY	MATERIAL	COLOR	MATERIAL	COLOR	PART NUMBER
	SPACER		HOUSING		

THIS DRAWING IS A CONTROLLED DOCUMENT.

DWN: A. SHUMAN 13NOV2003
 CHK: D. REVAK 10FEB2004
 APVD: D. REVAK 10FEB2004

STE TE Connectivity

NAME: 1X8 GET, UNSEALED, PLUG ASSEMBLY WITH MODIFIED THUMBPAD

SIZE: A1 CAGE CODE: 100779 DRAWING NO: 1488903

MATERIAL: - FINISH: - WEIGHT: - CUSTOMER DRAWING

SCALE: 5:1 SHEET 1 OF 1 REV: B1