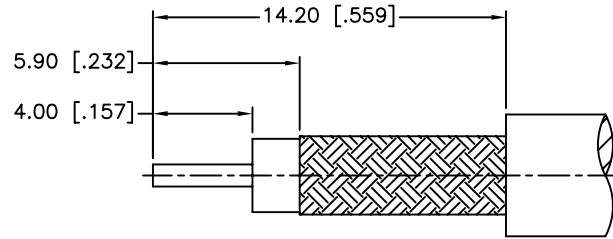
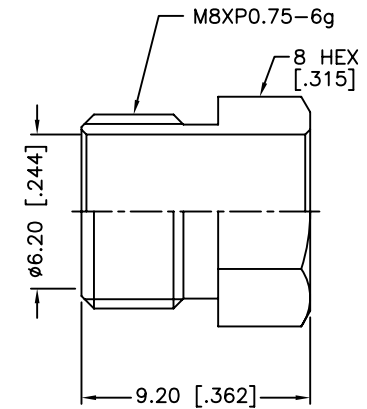
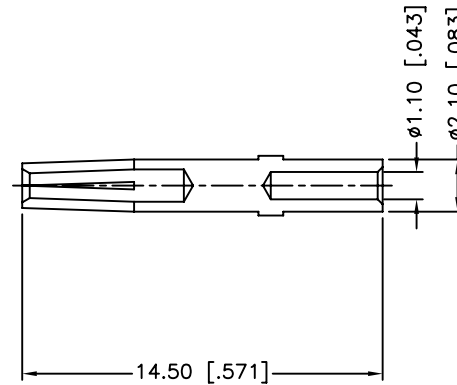
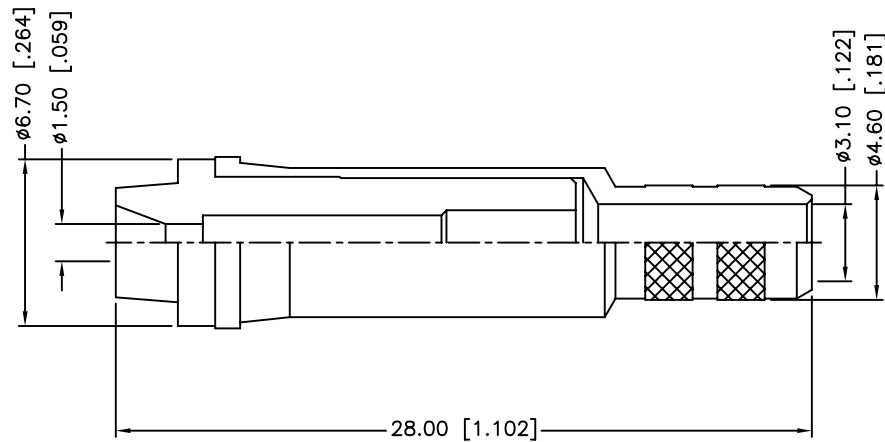
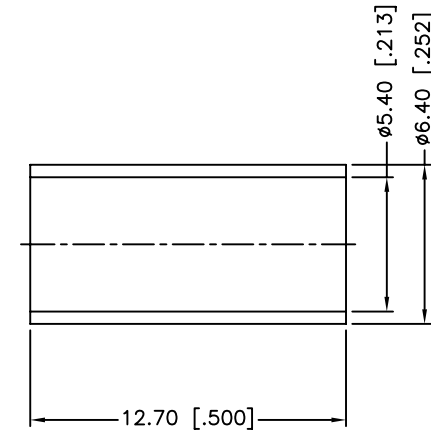


REV.	DATE	ECR NO.	DESCRIPTION
A	05/22/03	XXXXXX	UPDATE DRAWING FORMAT
B	07/22/11	XXXXXX	CHANGE THE MATERIAL OF INSULATOR TO DELRIN



RECOMMENDED
CABLE STRIPPING DIM'S



1. CRIMPED FERRULE
HEX CRIMP SIZE .213"
2. CRIMPED CONTACT PIN
HEX CRIMP SIZE .068"

5	FERRULE	BRASS	NICKEL	1
4	HEX NUT	BRASS	NICKEL	1
3	CONTACT PIN	PHOSPHOR BRONZE	GOLD	1
2	INSULATOR	DELRIN	NATURAL	1
1	BODY	BRASS	NICKEL	1
DESCRIPTION	MATERIAL	FINISH	QTY	

UNLESS OTHERWISE SPECIFIED DIMENSIONS ARE IN MILLIMETERS. DIMENSIONS IN [] ARE IN INCHES AND FOR CUSTOMER REFERENCE ONLY.

UNLESS OTHERWISE SPECIFIED TOLERANCES FOR MILLIMETERS ARE:
0.5 - 8mm ± 0.20mm
8 - 30mm ± 0.40mm
30 - 120mm ± 0.50mm

UNLESS OTHERWISE SPECIFIED TOLERANCES FOR INCHES ARE:
.020 - .315 = ± 0.007"
.315 - 1.180 = ± 0.015"
1.180 - 4.724 = ± 0.020"

DO NOT SCALE DRAWING

APPROVALS		DATE
DRAWN	M.ZHANG	07/22/11
CHECKED		
ISSUED		
SHEET	1 OF 1	
CAD FILE	C:/CONNEX/192102.DWG	

Amphenol Connex			
PART DESCRIPTION			
FME ROTATING NIPPLE (FOR RG-58C/U CABLE)			
PART NO.			
192102			
DWG. NO.	192102.DWG	REV.	B
SIZE	A	SCALE	NA