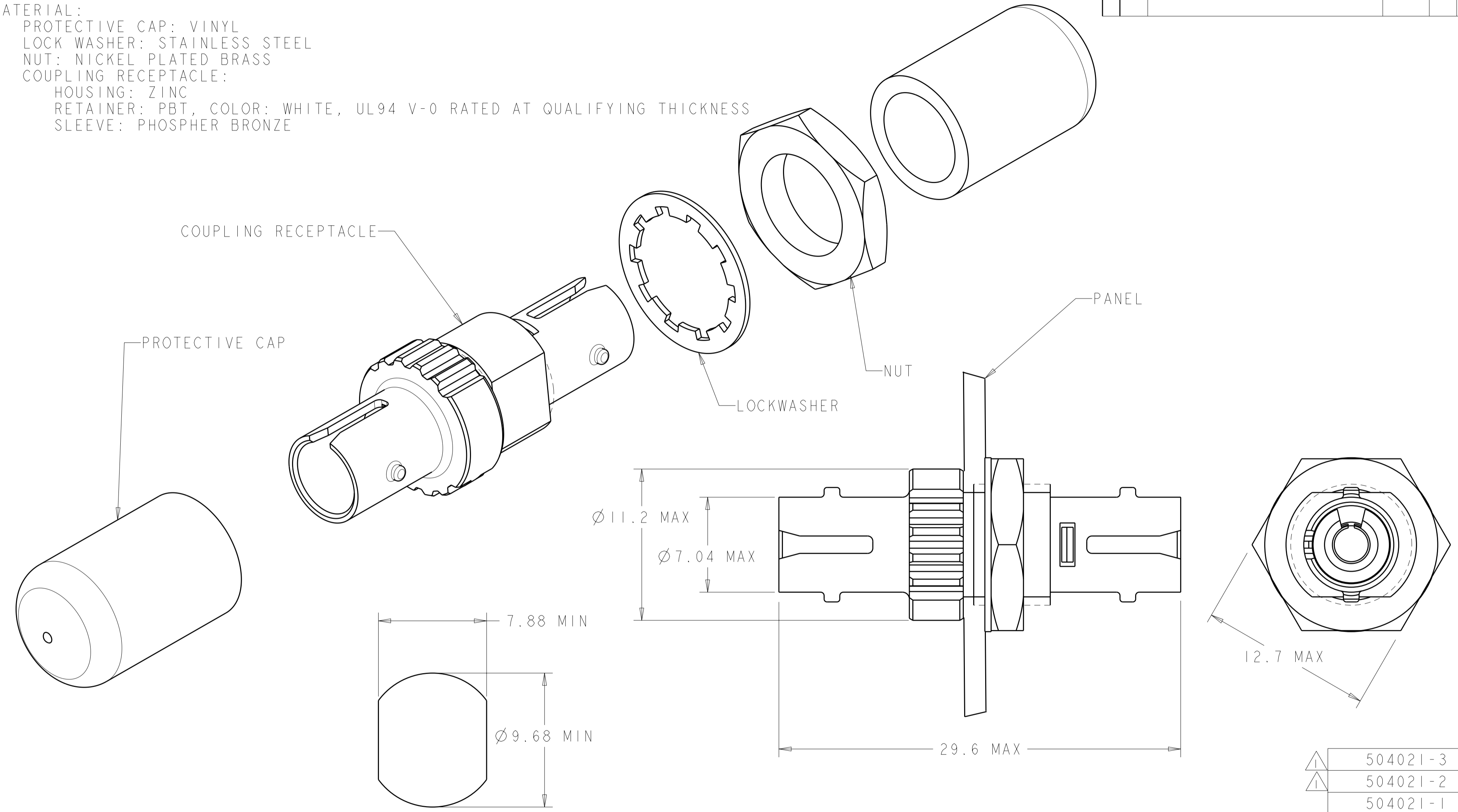


THIS DRAWING IS UNPUBLISHED. RELEASED FOR PUBLICATION 20
 © COPYRIGHT 20 BY - ALL RIGHTS RESERVED.

LOC	DIST	REVISIONS			
P	LTR	DESCRIPTION	DATE	DWN	APVD
CE	00				
		LI	REVISED PER ECO-11-005027	14MAR2011	RK HMR

- 1 BULK PACKAGED.
- 2 MATERIAL:
 PROTECTIVE CAP: VINYL
 LOCK WASHER: STAINLESS STEEL
 NUT: NICKEL PLATED BRASS
 COUPLING RECEPTACLE:
 HOUSING: ZINC
 RETAINER: PBT, COLOR: WHITE, UL94 V-0 RATED AT QUALIFYING THICKNESS
 SLEEVE: PHOSPHER BRONZE



1	504021-3
1	504021-2
	504021-1
	PART NUMBER

SUGGESTED PANEL CUTOUT

THIS DRAWING IS A CONTROLLED DOCUMENT.		DWN B. BRIGGS 11MAY2005	STE TE Connectivity	
DIMENSIONS: mm		CHK S. BUCHTER 11MAY2005		
TOLERANCES UNLESS OTHERWISE SPECIFIED:		APVD S. BUCHTER 11MAY2005	NAME KIT, COUPLING RECEPTACLE, 2.5mm BAYONET, MM/SM	
0 PLC ±	1 PLC ±	PRODUCT SPEC	SIZE	RESTRICTED TO
2 PLC ±	3 PLC ±	APPLICATION SPEC	A200779	
4 PLC ±	ANGLES ±	WEIGHT	CAGE CODE	DRAWING NO
FINISH		CUSTOMER DRAWING	504021	SCALE 5:1 SHEET OF REV. 1