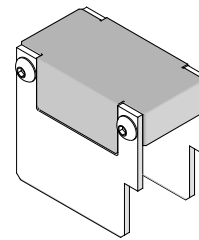




**10GBE
2-by-1 Magnetic Jack
Insertion Tool**

**Application Tooling
Specification Sheet**



Order No. 62202-9560

FEATURES

- Lightweight tool used in the insertion of an ICM connector in a PCB
- Inserts connector to a PCB without damage to the board
- Use tool 62202-9570 for removing connectors

SCOPE

Products: 10GBE, 2 by 1 Magnetic Jack assemblies with Press-fit Tails

Connector Series No	Connector Order no.	
170711	170711-0061	
170718	170718-0001	170718-0002
	170718-0003	170718-0030

Notes:

1. See the following pages for tooling operation instructions.
2. These tools require a “Keep Out Zone” around the connector free of components. The rear of the connector should be 2.0mm (0.08 in). The right and left sides should be 2.0mm (0.08 in). See Figure 1.

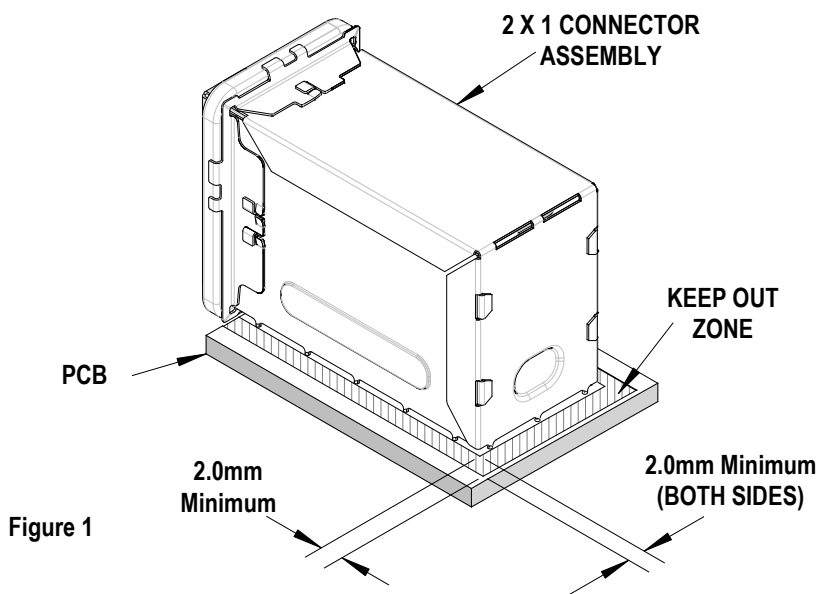


Figure 1

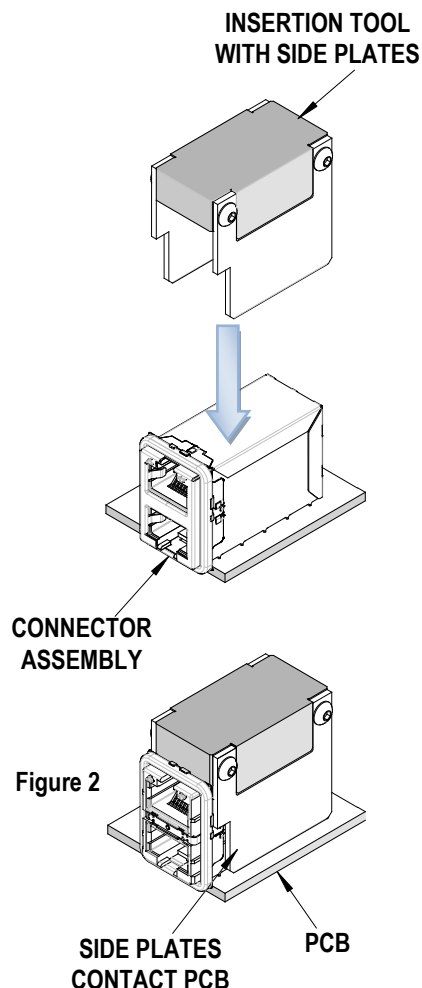
Description

The following Instructions are used for inserting 2 by 1 connectors into a PCB.

Operation

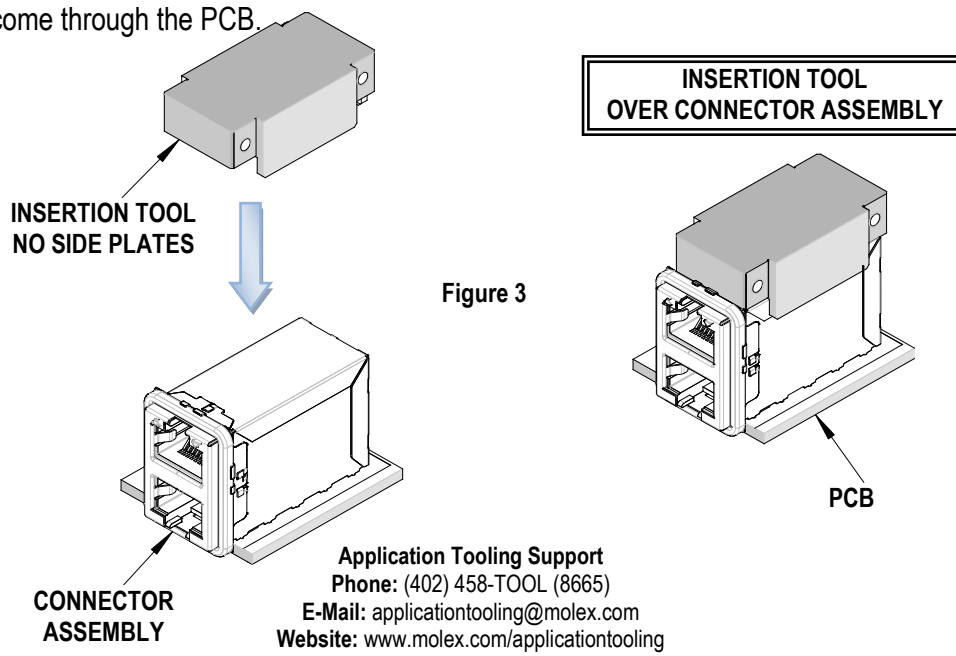
Option 1

1. Place the connector assembly on the PCB. Make sure all pins are started in the PCB holes.
2. Place the tool on the connector assembly (closed end to the back end of the connector). See Figure 2.
3. Place tool, connector, and PCB in a press of suitable size and force and seat the connector assembly. The assembly is seated when the bottom of the side plates contacts the PCB. The PCB support (furnished by the customer) must have clearance for the connector pins if they come through the PCB.



Option 2

1. Place the connector assembly on the PCB. Make sure all pins are started in the PCB holes.
2. Place the tool on the connector assembly (closed end to the back end of the connector). See Figure 2.
3. Place tool, connector, and PCB in a press of suitable size and force and seat the connector assembly. The assembly is seated when the press has a set shut height. The PCB support (furnished by the customer) must have clearance for the connector pins if they come through the PCB.



Application Tooling Support
 Phone: (402) 458-TOOL (8665)
 E-Mail: applicationtooling@molex.com
 Website: www.molex.com/applicationtooling

Molex is a registered trademark of Molex, LLC in the United States of America and may be registered in other countries; all other trademarks listed herein belong to their respective owners.