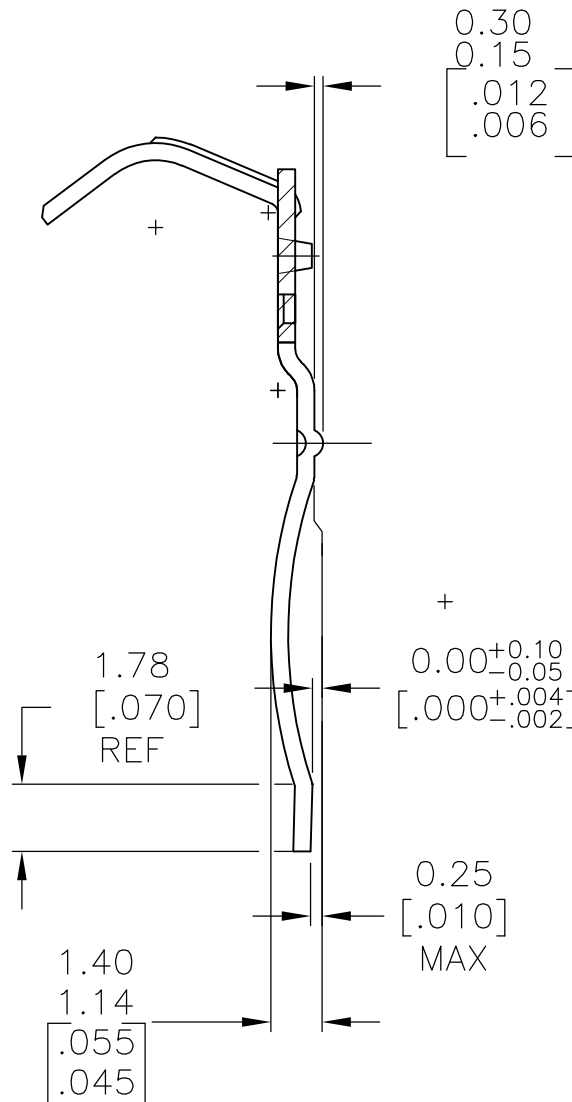
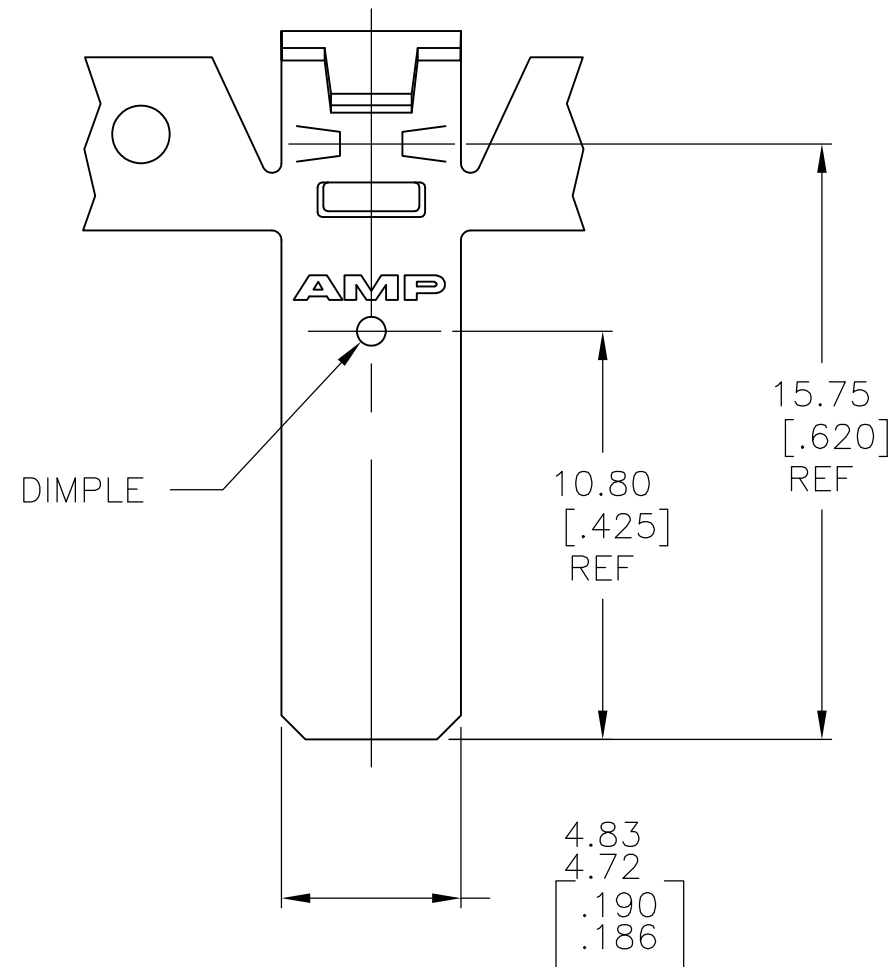
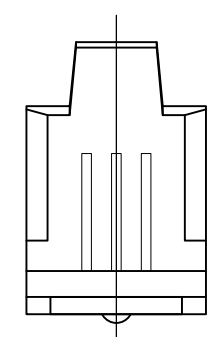


THIS DRAWING IS UNPUBLISHED. RELEASED FOR PUBLICATION
 © COPYRIGHT - BY TYCO ELECTRONICS CORPORATION. ALL RIGHTS RESERVED.

LOC	DIST	REVISIONS			
P	LTR	DESCRIPTION	DATE	DWN	APVD
AF	50				
	A2	REVISED PER ECR-07-029757	14DEC07	HMR	GP
	A3	REVISED PER ECR-13-000187	07JAN13	B.P	YH.M



1 PRODUCT PROVIDED IN STRIP FORM ON SPLICE FREE REELS.



0.00203[.000080] MIN TIN	0.457±0.025[.018±.001] THK H03 PHOS BRONZE	20-14 AWG	1742492-2
FINISH	MATERIAL	WIRE RANGE	PART NUMBER

THIS DRAWING IS A CONTROLLED DOCUMENT.		DWN B.P 07JAN2013	Tyco Electronics Corporation Harrisburg, PA 17105-3608	
DIMENSIONS: mm [INCHES] 		CHK F.M 07JAN2013		
TOLERANCES UNLESS OTHERWISE SPECIFIED: 0 PLC ± - 1 PLC ± - 2 PLC ± 0.25[.010] 3 PLC ± - 4 PLC ± - ANGLES ± -		APVD YH.M 07JAN2013	NAME BRUSH CONTACT, TAB-LOCK LEFT HAND	
MATERIAL SEE TABLE		FINISH SEE TABLE	PRODUCT SPEC -	APPLICATION SPEC -
		WEIGHT -	SIZE A3	CAGE CODE 00779
		CUSTOMER DRAWING	DRAWING NO C-1742492	RESTRICTED TO -
		SCALE 5:1	SHEET 1 OF 1	REV A3