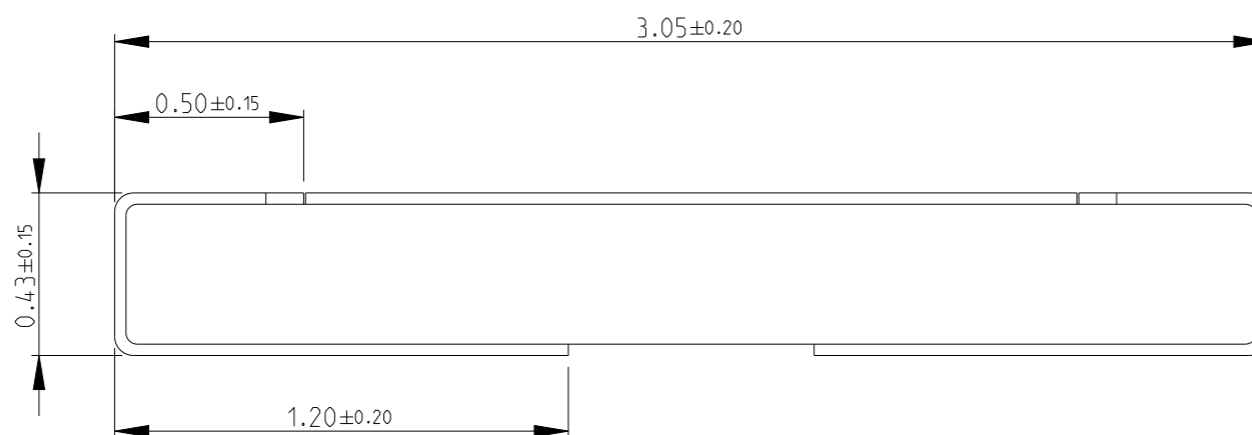
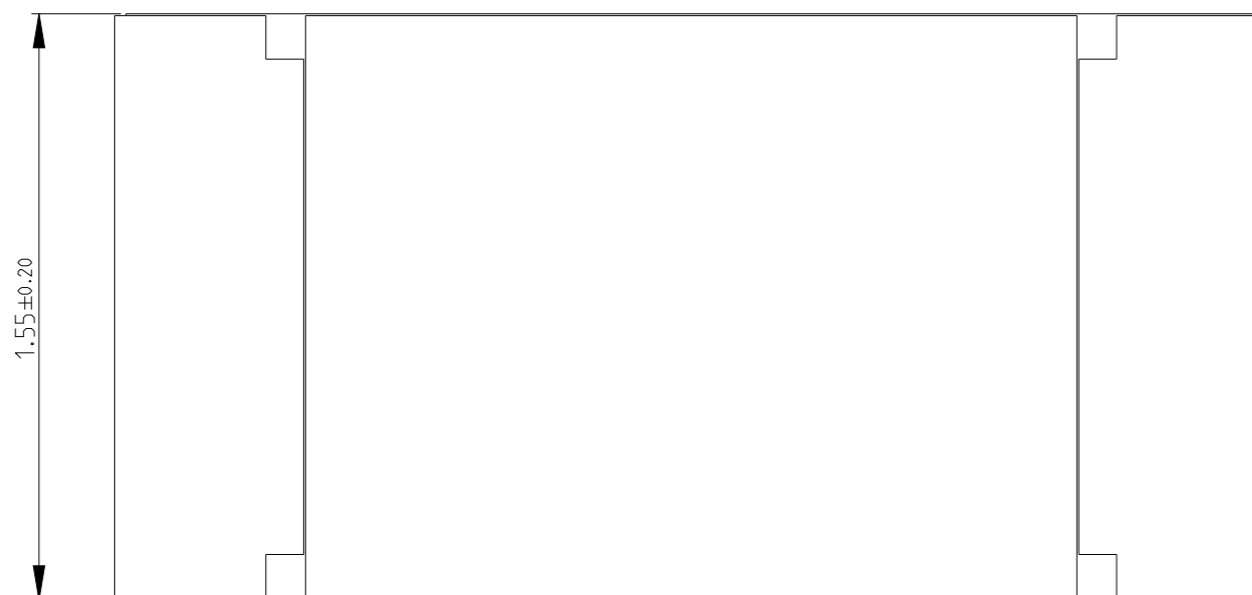


REVISIONS

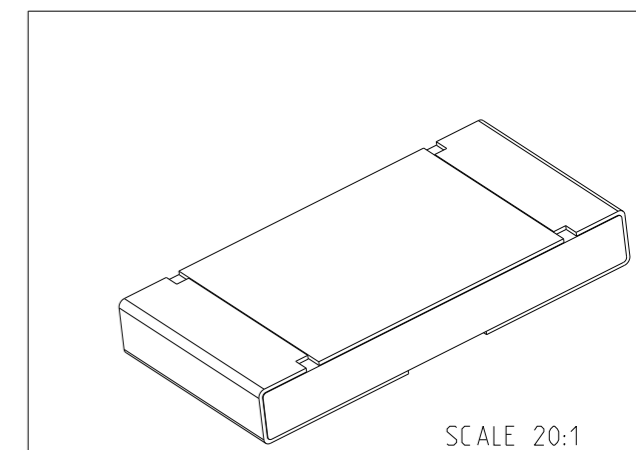
P	LTR	DESCRIPTION	DATE	DWN	APVD
	A	NEW DRAWING	01JUL2022	KS	AP

NOTES:

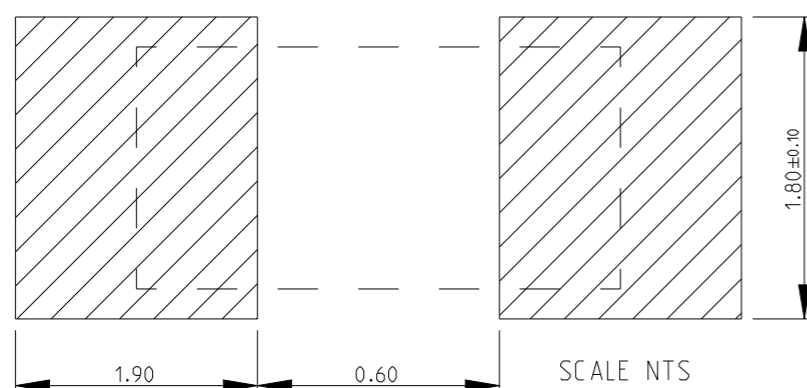
1. PCB WITH A COPPER THICKNESS OF TWO OUNCES SHOULD BE USED.
2. FOR FURTHER INFORMATION SEE DATA SHEET FOR 3503 SERIES ALUMINIUM NITRIDE THIN FILM POWER RESISTORS.



RoHS Compliant



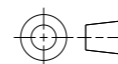
RECOMMENDED LAND PATTERN



THIS DRAWING IS A CONTROLLED DOCUMENT.

DIMENSIONS:
mm

TOLERANCES UNLESS OTHERWISE SPECIFIED:



- 0 PLC ±0.5
- 1 PLC ±0.2
- 2 PLC ±0.1
- 3 PLC ±
- 4 PLC ±
- ANGLES ±5°

MATERIAL

FINISH

DWN 01JUL2022

KARTHIK. S

CHK 01JUL2022

ALLAN. P

APVD 01JUL2022

ALLAN. P

PRODUCT SPEC

APPLICATION SPEC

WEIGHT

NAME
ALUMINIUM NITRIDE THIN FILM POWER RESISTOR TYPE 3503 SERIES



TE Connectivity

SIZE CAGE CODE DRAWING NO RESTRICTED TO

A3 00779 C=2176528

CUSTOMER DRAWING SCALE 50:1 SHEET 1 OF 2 REV A

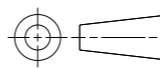
REVISIONS

P	LTR	DESCRIPTION	DATE	DWN	APVD
	-	SEE SHEET 1	-	-	-

SCHEDULE			
TCPN	CATALOGUE NUMBER	PART DESCRIPTION	PART STATUS
2176528-1	3503G2B5K9FTD	3503G 2B 5K9 1% 5K RL	PRODUCTION
2176528-2	3503G2B6K04FTD	3503G 2B 6K04 1% 5K RL	PRODUCTION
2176528-3	3503G2B6K19FTD	3503G 2B 6K19 1% 5K RL	PRODUCTION
2176528-4	3503G2B6K34FTD	3503G 2B 6K34 1% 5K RL	PRODUCTION
2176528-5	3503G2B6K49FTD	3503G 2B 6K49 1% 5K RL	PRODUCTION
2176528-6	3503G2B6K65FTD	3503G 2B 6K65 1% 5K RL	PRODUCTION
2176528-7	3503G2B6K81FTD	3503G 2B 6K81 1% 5K RL	PRODUCTION
2176528-8	3503G2B6K98FTD	3503G 2B 6K98 1% 5K RL	PRODUCTION
2176528-9	3503G2B7K15FTD	3503G 2B 7K15 1% 5K RL	PRODUCTION
1-2176528-0	3503G2B7K32FTD	3503G 2B 7K32 1% 5K RL	PRODUCTION
1-2176528-1	3503G2B7K5FTD	3503G 2B 7K5 1% 5K RL	PRODUCTION
1-2176528-2	3503G2B7K68FTD	3503G 2B 7K68 1% 5K RL	PRODUCTION
1-2176528-3	3503G2B7K87FTD	3503G 2B 7K87 1% 5K RL	PRODUCTION
1-2176528-4	3503G2B8K06FTD	3503G 2B 8K06 1% 5K RL	PRODUCTION
1-2176528-5	3503G2B8K25FTD	3503G 2B 8K25 1% 5K RL	PRODUCTION
1-2176528-6	3503G2B8K45FTD	3503G 2B 8K45 1% 5K RL	PRODUCTION
1-2176528-7	3503G2B8K66FTD	3503G 2B 8K66 1% 5K RL	PRODUCTION
1-2176528-8	3503G2B8K87FTD	3503G 2B 8K87 1% 5K RL	PRODUCTION
1-2176528-9	3503G2B9K09FTD	3503G 2B 9K09 1% 5K RL	PRODUCTION
2-2176528-0	3503G2B9K31FTD	3503G 2B 9K31 1% 5K RL	PRODUCTION
2-2176528-1	3503G2B9K53FTD	3503G 2B 9K53 1% 5K RL	PRODUCTION
2-2176528-2	3503G2B9K76FTD	3503G 2B 9K76 1% 5K RL	PRODUCTION
2-2176528-3	3503G2B10KFTD	3503G 2B 10K 1% 5K RL	PRODUCTION
2-2176528-4	3503G2B10K2FTD	3503G 2B 10K2 1% 5K RL	PRODUCTION
2-2176528-5	3503G2B10K5FTD	3503G 2B 10K5 1% 5K RL	PRODUCTION
2-2176528-6	3503G2B10K7FTD	3503G 2B 10K7 1% 5K RL	PRODUCTION
2-2176528-7	3503G2B11KFTD	3503G 2B 11K 1% 5K RL	PRODUCTION
2-2176528-8	3503G2B11K3FTD	3503G 2B 11K3 1% 5K RL	PRODUCTION
2-2176528-9	3503G2B11K5FTD	3503G 2B 11K5 1% 5K RL	PRODUCTION
3-2176528-0	3503G2B11K8FTD	3503G 2B 11K8 1% 5K RL	PRODUCTION
3-2176528-1	3503G2B12K1FTD	3503G 2B 12K1 1% 5K RL	PRODUCTION
3-2176528-2	3503G2B12K4FTD	3503G 2B 12K4 1% 5K RL	PRODUCTION
3-2176528-3	3503G2B12K7FTD	3503G 2B 12K7 1% 5K RL	PRODUCTION
3-2176528-4	3503G2B13KFTD	3503G 2B 13K 1% 5K RL	PRODUCTION
3-2176528-5	3503G2B13K3FTD	3503G 2B 13K3 1% 5K RL	PRODUCTION

SCHEDULE			
TCPN	CATALOGUE NUMBER	PART DESCRIPTION	PART STATUS
3-2176528-6	3503G2B13K7FTD	3503G 2B 13K7 1% 5K RL	PRODUCTION
3-2176528-7	3503G2B14KFTD	3503G 2B 14K 1% 5K RL	PRODUCTION
3-2176528-8	3503G2B14K3FTD	3503G 2B 14K3 1% 5K RL	PRODUCTION
3-2176528-9	3503G2B14K7FTD	3503G 2B 14K7 1% 5K RL	PRODUCTION
4-2176528-0	3503G2B15KFTD	3503G 2B 15K 1% 5K RL	PRODUCTION
4-2176528-1	3503G2B15K4FTD	3503G 2B 15K4 1% 5K RL	PRODUCTION
4-2176528-2	3503G2B15K8FTD	3503G 2B 15K8 1% 5K RL	PRODUCTION
4-2176528-3	3503G2B16K2FTD	3503G 2B 16K2 1% 5K RL	PRODUCTION
4-2176528-4	3503G2B16K5FTD	3503G 2B 16K5 1% 5K RL	PRODUCTION
4-2176528-5	3503G2B16K9FTD	3503G 2B 16K9 1% 5K RL	PRODUCTION
4-2176528-6	3503G2B17K4FTD	3503G 2B 17K4 1% 5K RL	PRODUCTION
4-2176528-7	3503G2B17K8FTD	3503G 2B 17K8 1% 5K RL	PRODUCTION
4-2176528-8	3503G2B18K2FTD	3503G 2B 18K2 1% 5K RL	PRODUCTION
4-2176528-9	3503G2B18K7FTD	3503G 2B 18K7 1% 5K RL	PRODUCTION
5-2176528-0	3503G2B19K1FTD	3503G 2B 19K1 1% 5K RL	PRODUCTION
5-2176528-1	3503G2B19K6FTD	3503G 2B 19K6 1% 5K RL	PRODUCTION
5-2176528-2	3503G2B20KFTD	3503G 2B 20K 1% 5K RL	PRODUCTION
5-2176528-3	3503G2B20K5FTD	3503G 2B 20K5 1% 5K RL	PRODUCTION
5-2176528-4	3503G2B21KFTD	3503G 2B 21K 1% 5K RL	PRODUCTION
5-2176528-5	3503G2B21K5FTD	3503G 2B 21K5 1% 5K RL	PRODUCTION
5-2176528-6	3503G2B22K1FTD	3503G 2B 22K1 1% 5K RL	PRODUCTION
5-2176528-7	3503G2B22K6FTD	3503G 2B 22K6 1% 5K RL	PRODUCTION
5-2176528-8	3503G2B23K2FTD	3503G 2B 23K2 1% 5K RL	PRODUCTION
5-2176528-9	3503G2B23K7FTD	3503G 2B 23K7 1% 5K RL	PRODUCTION
6-2176528-0	3503G2B24K3FTD	3503G 2B 24K3 1% 5K RL	PRODUCTION
6-2176528-1	3503G2B24K9FTD	3503G 2B 24K9 1% 5K RL	PRODUCTION
6-2176528-2	3503G2B25K5FTD	3503G 2B 25K5 1% 5K RL	PRODUCTION
6-2176528-3	3503G2B26K1FTD	3503G 2B 26K1 1% 5K RL	PRODUCTION
6-2176528-4	3503G2B26K7FTD	3503G 2B 26K7 1% 5K RL	PRODUCTION
6-2176528-5	3503G2B27K4FTD	3503G 2B 27K4 1% 5K RL	PRODUCTION
6-2176528-6	3503G2B28KFTD	3503G 2B 28K 1% 5K RL	PRODUCTION
6-2176528-7	3503G2B28K7FTD	3503G 2B 28K7 1% 5K RL	PRODUCTION
6-2176528-8	3503G2B29K4FTD	3503G 2B 29K4 1% 5K RL	PRODUCTION
6-2176528-9	3503G2B30K1FTD	3503G 2B 30K1 1% 5K RL	PRODUCTION

THIS DRAWING IS A CONTROLLED DOCUMENT.

DIMENSIONS:	TOLERANCES UNLESS OTHERWISE SPECIFIED:
mm	0 PLC ±0.5
	1 PLC ±0.2
	2 PLC ±0.1
	3 PLC ±
	4 PLC ±
MATERIAL	ANGLES ±°
-	FINISH -
-	-

DWN	KARTHIK. S	01JUL2022
CHK	ALLAN. P	01JUL2022
APVD	ALLAN. P	01JUL2022
PRODUCT SPEC	-	-
APPLICATION SPEC	-	-
WEIGHT	-	-
CUSTOMER DRAWING		



NAME				ALUMINIUM NITRIDE THIN FILM POWER RESISTOR TYPE 3503 SERIES			
SIZE	CAGE CODE	DRAWING NO	RESTRICTED TO				
A3	00779	©-2176528	-				
SCALE	SHEET	OF	REV				
50:1	2	2	A				