

MATERIAL NO.	ENGINEERING NO.	FINISHED LENGTH
1300640304	CC4030A70M040	4M (13 FT 1.48 IN)
1300640432	CC4030A70M200G	20M (65 FT 7.4 IN)
1300640433	CC4030A70M400G	40M (131 FT 2.8 IN)

**CABLE LENGTH TOLERANCES**

<.3M [1FT]: +19mm-0 [ +.75in-0]

.3 - .9M [1 - 3FT]: +44.5mm-0 [+1.75in-0]

.9 - 1.8M [3 - 6FT]: +55.6mm-0 [+2.19in-0]

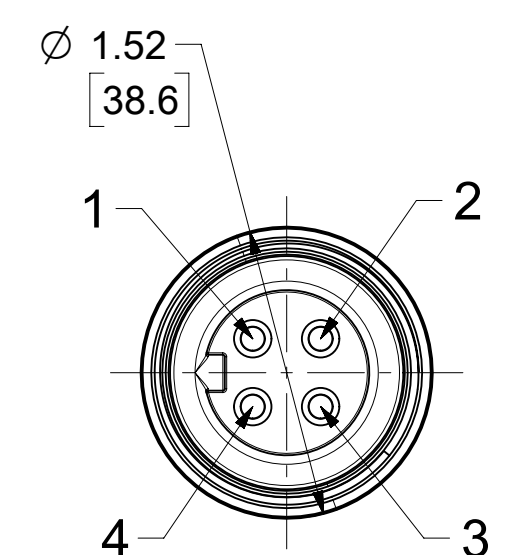
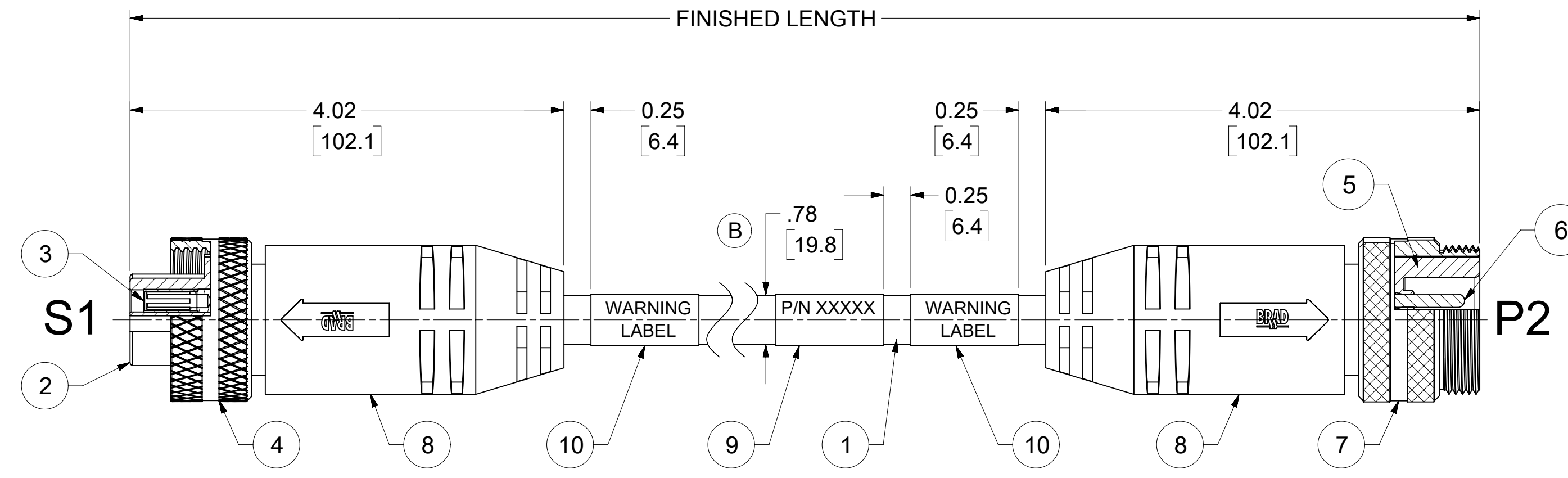
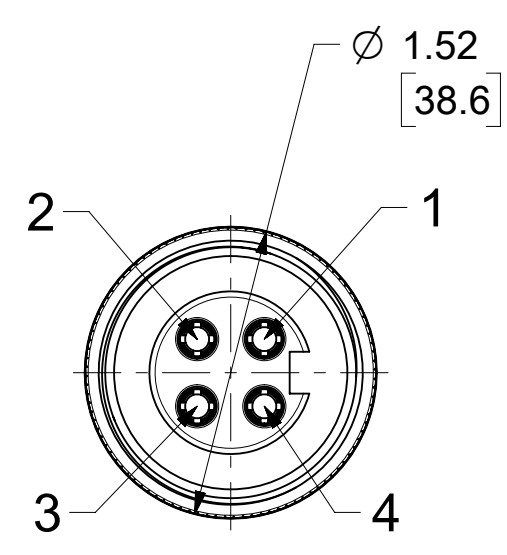
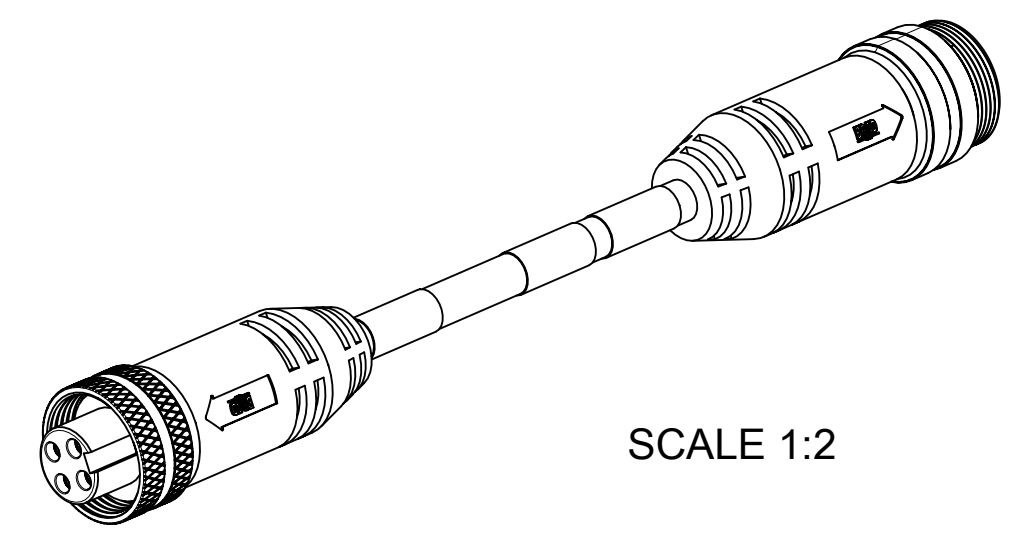
1.8 - 3.7M [6 - 12FT]: +88.9mm-0 [+3.50in-0]

3.7 - 7.3M [12 - 24FT]: +165.1mm-0 [+6.50in-0]

7.3-14.6M [24 - 48FT]: +317.5mm-0 [+12.50in-0]

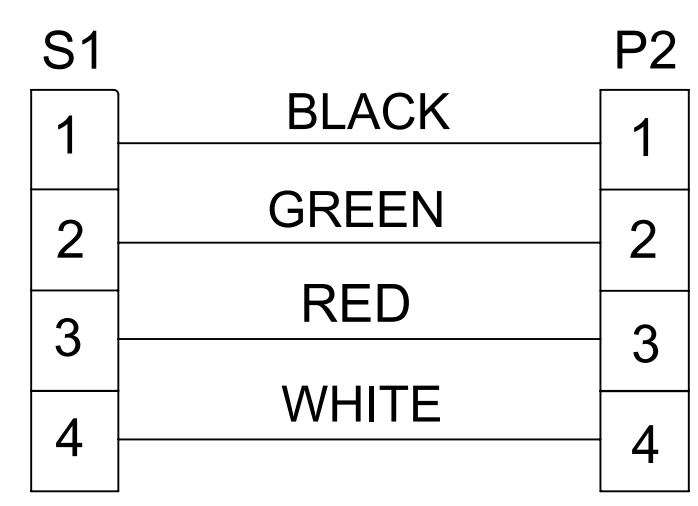
14.6 - 30.5M [48-100FT]: +622.3mm-0 [+24.50in-0]

OVER 30M [100FT] +2% OF FINISHED LENGTH



- NOTES:**
1. MATERIAL: AS NOTED
  2. FINISH: AS NOTED
  3. ELECTRICAL:  
VOLTAGE: 500V PER IEC60664  
600V PER UL2237
  4. TEMP RATING: -20°C TO +105°C
  5. PROTECTION: IP67 (WHEN MATED)
  6. UL LISTED FILE: 258922
  7. COUPLING THREAD : 1 3/8"-16 UN
  8. ALL DIMS ARE FOR REFERENCE UNLESS TOLERANCED OR NOTED OTHERWISE

**WIRING DIAGRAM**



**PART NUMBER LEGEND**

**CC4030A70M010G**

FINISHED LENGTH  
M005 = 0.5 METER  
M010 = 1.0 METER  
M100 = 10 METERS

OVERMOLD COLOR:  
BLANK = GRAY  
G = BLACK

ITEM	DESCRIPTION	MATERIAL	FINISH
10	WARNING LABEL	VINYL	ORANGE/BLACK
9	WRAP LABEL	VINYL	BLACK/YELLOW
8	OVERMOLDS	TPE	GRAY
7	MALE COUPLING NUT	ALUMINIUM	CLEAR ANODIZE
6	PIN CONTACT	Cu ALLOY	GOLD OVER NICKEL
5	MALE INSERT	TPE	BLACK
4	FEMALE COUPLING NUT	ALUMINIUM	CLEAR ANODIZE
3	SOCKET CONTACT	Cu ALLOY	GOLD OVER NICKEL
2	FEMALE INSERT	TPE	BLACK
1	CABLE, #10-4 AWG, STOOV	PVC JACKET	GRAY/BLACK STRIPE

FUNCTIONAL SYMBOLS FA=0 FC=0 FP=0	THIS DRAWING CONTAINS INFORMATION THAT IS PROPRIETARY TO MOLEX ELECTRONIC TECHNOLOGIES, LLC AND SHOULD NOT BE USED WITHOUT WRITTEN PERMISSION		CURRENT REV DESC: UPDATED ITEM #2,5,8 WERE PVC & MATERIAL P/N TABLE. ADDED UL, IEC VOLT, TEMP RATING, IP RATING, TOL. CHART AND CABLE DIA.		
	DIMENSION UNITS: INCH		SCALE: 1:1		
	GENERAL TOLERANCES (UNLESS SPECIFIED)				
	4 PLACES ±		3 PLACES ±		
DIVISIONAL SYMBOLS	2 PLACES ±		1 PLACE ±		
	0 PLACES ±		ANGULAR TOL ± °		
	DRAFT WHERE APPLICABLE MUST REMAIN WITHIN DIMENSIONS		THIRD ANGLE PROJECTION		
	DRAWING: C-SIZE		SERIES: 130064		
DOCUMENT STATUS: P1		RELEASE DATE: 2022/04/08 14:05:55		EC NO: 701162	
DRWN: AKABADI		2021/06/30		DRWN: RSTONE	
CHK'D: RSTONE		2022/03/30		APPR: BWOODMAN	
APPR: BWOODMAN		2022/04/08		INITIAL REVISION:	
DRWN: RSTONE		2017/01/04		APPR: BWOODMAN	
APPR: BWOODMAN		2017/01/18		DOCUMENT NUMBER: SD-130064-021	
MATERIAL NUMBER: SEE TABLE		CUSTOMER: GENERAL MARKET		DOC TYPE: PSD	
SHEET NUMBER: 1 OF 1		DOC PART: 001		REVISION: B	