

# CapLock & PlugLock

Locking accessories for 38999, RJFTV, USBFTV Connectors and Caps...



## The contribution of Connectors to better Cybersecurity - 38999 Series III, RJFTV, USBFTV...

**Cybersecurity** is achieved through a combination of precautions, not just one, such as a password. One way to reduce the risk of opportunity intrusion into the electronics through the connectors is by adding locking devices.

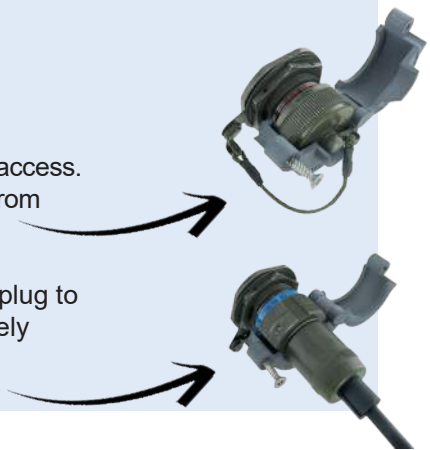


### Main Characteristics :

- Locking system preventing any access to critical connector. Prevent from intrusion or human error.
- For MIL-DTL-38999 series III shell type.
- Shocks : IK06 : weight of 250g drop from 40cm [15.75 in] onto the caplock or pluglock mounted.
- 3D Printed with composite material.
- Colour : Grey.
- 2 Locking types available:
  - Cable seal, metal wire, must be cut to unlock.
  - Torx Safety screw, removable with an adapted key wrench.

**CapLock** is a locking ring that allows a Cap to lock onto a receptacle to secure the port access. Once locked around the cap, Caplock turns freely around the cap and prevents fingers from unlocking it.

**PlugLock** is a locking ring that allows a plug to lock onto a receptacle to secure the plug to receptacle connection. Once locked around the plug coupling nut, Pluglock turns freely around it and prevent the fingers from unlocking it.



### Watch our video

Amphenol SOCAPEX

Scan & discover !

CapLock assembly instruction video

Amphenol SOCAPEX

Scan & discover !

PlugLock assembly instruction video

### Markets & Applications



**C5ISR**  
Network Access & Maintenance Ports securing  
Military Computers Ports securing  
SDR Radios Ports securing  
Human Machine Interface securing



**Naval**  
Consoles Ports securing  
Network Access & Maintenance Ports securing  
Data Centers



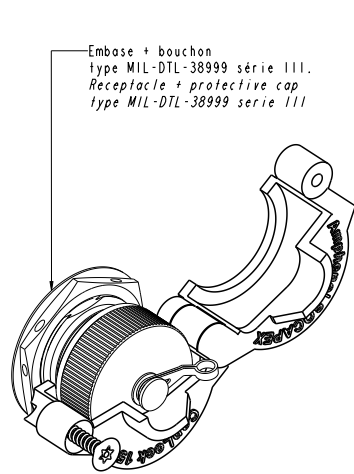
**Military Aerospace & Airframe**  
Radars  
Display unit  
Flight control system



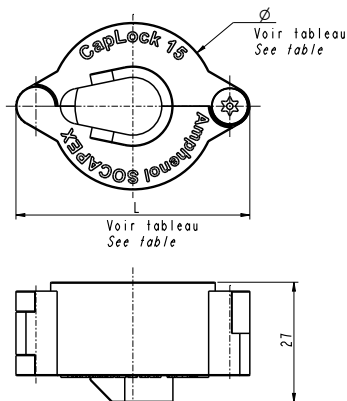
**Military vehicles**  
Vetronics  
Optronics  
Communication Systems

## Overall dimension

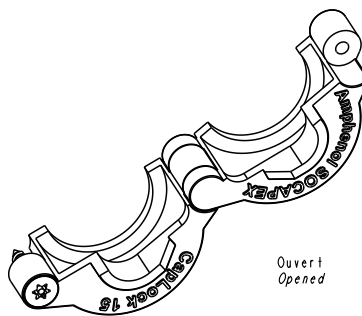
Part number type: **CapLock XX TX**



Embase + bouchon  
type MIL-DTL-38999 série III.  
Receptacle + protective cap  
type MIL-DTL-38999 serie III



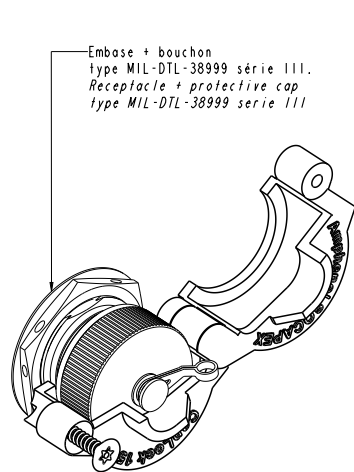
Shell size	$\varnothing \pm 0.2/[0.008]$	L $\pm 0.2/[0.008]$
T09	28.6 / [1.102]	43.6 / [1.692]
T11	33.6 / [1.299]	48.6 / [1.889]
T13	36.6 / [1.417]	51.6 / [2.007]
T15	37.6 / [1.456]	52.6 / [2.047]
T17	42.6 / [1.653]	57.6 / [2.244]
T19	44.6 / [1.732]	59.6 / [2.322]
T21	47.6 / [1.850]	62.6 / [2.440]
T23	50.6 / [1.968]	65.6 / [2.559]
T25	54.6 / [2.125]	69.6 / [2.716]



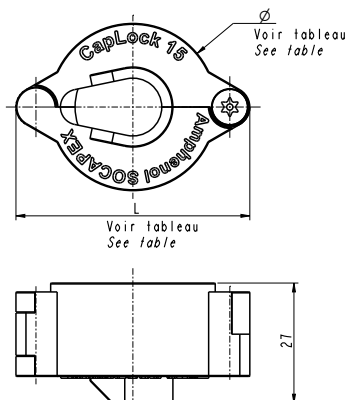
### Tools to be ordered separately



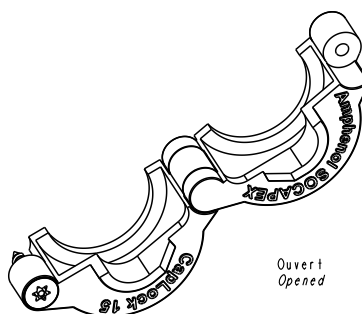
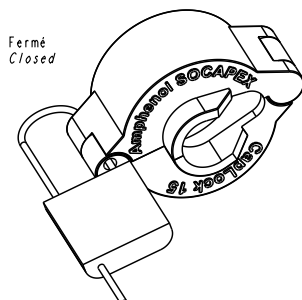
Part number type: **CapLock XX WR**



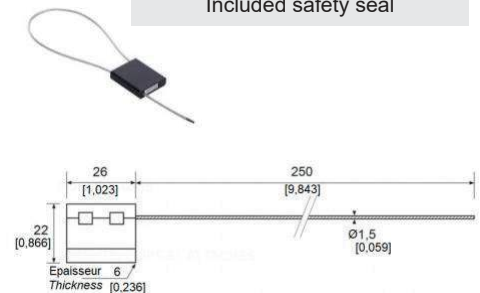
Embase + bouchon  
type MIL-DTL-38999 série III.  
Receptacle + protective cap  
type MIL-DTL-38999 serie III



Shell size	$\varnothing \pm 0.2/[0.008]$	L $\pm 0.2/[0.008]$
T09	28.6 / [1.102]	43.6 / [1.692]
T11	33.6 / [1.299]	48.6 / [1.889]
T13	36.6 / [1.417]	51.6 / [2.007]
T15	37.6 / [1.456]	52.6 / [2.047]
T17	42.6 / [1.653]	57.6 / [2.244]
T19	44.6 / [1.732]	59.6 / [2.322]
T21	47.6 / [1.850]	62.6 / [2.440]
T23	50.6 / [1.968]	65.6 / [2.559]
T25	54.6 / [2.125]	69.6 / [2.716]



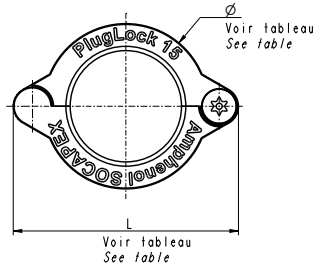
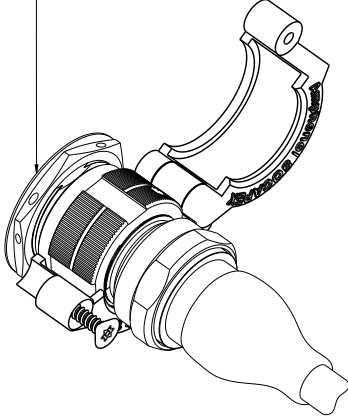
### Included safety seal



## Overall dimension

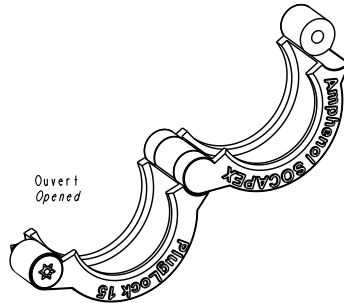
Part number type: **PlugLock XX TX**

Embase et fiche connectées  
type MIL-DTL-38999 série IIII  
Mated receptacle and plug  
type MIL-DTL-38999 serie IIII



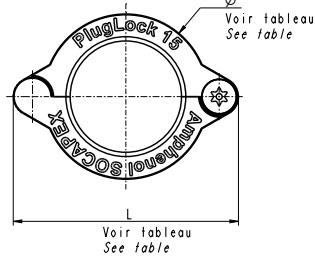
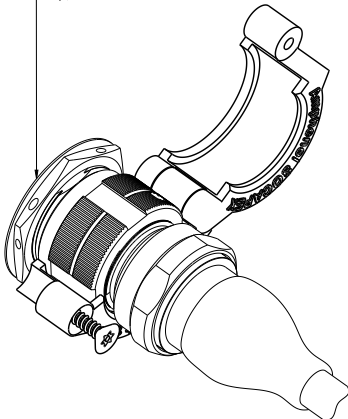
Shell size	$\varnothing \pm 0.2 / [0.008]$	$L \pm 0.2 / [0.008]$
T09	28.3 / [1.102]	42.3 / [1.653]
T11	31 / [1.220]	45 / [1.771]
T13	35.4 / [1.377]	49.4 / [1.929]
T15	38.6 / [1.496]	52.6 / [2.047]
T17	42.1 / [1.653]	56.1 / [2.204]
T19	44.8 / [1.732]	58.8 / [2.283]
T21	48 / [1.889]	62 / [2.440]
T23	51 / [2.007]	65 / [2.559]
T25	54.2 / [2.125]	68.2 / [2.677]

Tools to be ordered separately



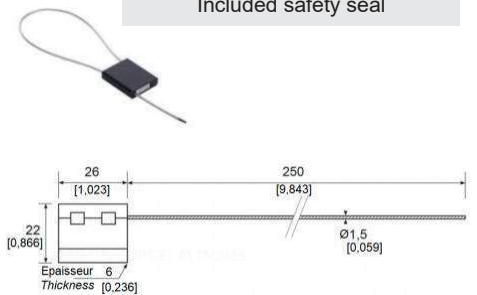
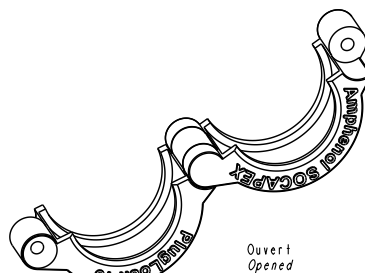
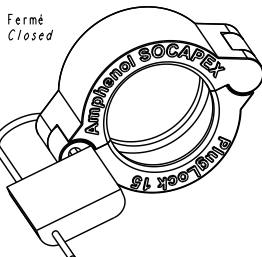
Part number type: **PlugLock XX WR**

Embase et fiche connectées  
type MIL-DTL-38999 série IIII  
Mated receptacle and plug  
type MIL-DTL-38999 serie IIII



Shell size	$\varnothing \pm 0.2 / [0.008]$	$L \pm 0.2 / [0.008]$
T09	28.3 / [1.102]	42.3 / [1.653]
T11	31 / [1.220]	45 / [1.771]
T13	35.4 / [1.377]	49.4 / [1.929]
T15	38.6 / [1.496]	52.6 / [2.047]
T17	42.1 / [1.653]	56.1 / [2.204]
T19	44.8 / [1.732]	58.8 / [2.283]
T21	48 / [1.889]	62 / [2.440]
T23	51 / [2.007]	65 / [2.559]
T25	54.2 / [2.125]	68.2 / [2.677]

Included safety seal



# HOW TO ORDER

1.

2.

3.

Series	Shell size	Locking
CapLock	19	TX

## 1. Series

CapLock	Locking ring for caps of 38999 Series III Receptacles
PlugLock	Locking ring for 38999 Series III Plugs

## 3. Locking

WR	Cable seal, metal wire to cut to unlock
TX	Torx Safety screw

## 2. Shell size

9	For MIL DTL 38999 Series III size 9 shells
11	For MIL DTL 38999 Series III size 11 and TV µCom shells
13	For MIL DTL 38999 Series III size 13 and MPOF TV and MDPF TV shells
15	For MIL DTL 38999 Series III size 15 and USB Field TV shells
17	For MIL DTL 38999 Series III size 17 shells
19	For MIL DTL 38999 Series III size 19 and RJF TV and LCF TV shells
21	For MIL DTL 38999 Series III size 21 shells
23	For MIL DTL 38999 Series III size 23 shells
25	For MIL DTL 38999 Series III size 25 shells

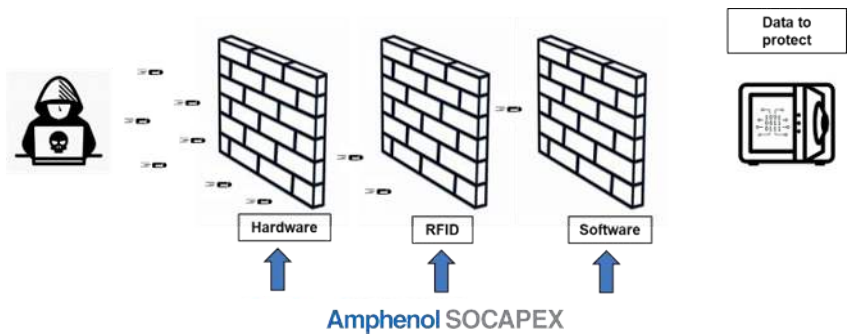
## Examples :

Part number	Description
CapLock19TX	Locking ring for caps of 38999 Series III Receptacles size 19 with torx locking system
CapLock19WR	Locking ring for caps of 38999 Series III Receptacles size 19 with seal cable locking system
PlugLock9TX	Locking ring for caps of 38999 Series III Receptacles size 9 with torx locking system

✓ : RoHS compliant

# Amphenol SOCAPEX Other Solutions for Cybersecurity

**Cybersecurity** is achieved through a combination of precautions, not just one such as a password. Connectors can contribute



## ► Hardware : Go through Fiber Optics via our Media Converters



## ► Hardware : Use our receptacles which cannot be dismantled from outside the box



## ► Hardware : Use our Adapters RJ45 & USB ↔ 38999 & 26482

RJ45 ↔ MIL-DTL-26482 Type	RJ45 Receptacle ↔ Quadrax receptacle	USB ↔ MIL-DTL-26482 Type	USB FTV ↔ 38999 11-98 plug
<ul style="list-style-type: none"> <li>► RJ45 ↔ Standard 26482 12-10 pin layout adapter</li> <li>► ABS 1547 for Avionics applications</li> </ul>	<ul style="list-style-type: none"> <li>► RJ45 ↔ 2 Quadrax contacts - Bulkhead</li> <li>► Avionics applications</li> </ul>	<ul style="list-style-type: none"> <li>► USB ↔ Standard 26482 12-10 pin layout adapter</li> <li>► ABS 1547 for Avionics applications</li> </ul>	<ul style="list-style-type: none"> <li>► USB FTV ↔ Standard 38999 11-98 pin layout adapter</li> <li>► C4ISR &amp; Avionics applications</li> </ul>

## ► RFID : Under investigation





## CapLock **NEW**

Secures physical access to receptacles



The advertisement for CapLock features a dark blue background with a glowing digital grid and binary code. On the left, two circular images show a receptacle in an open state and then in a closed state with a blue padlock icon overlaid. To the right, a large, glowing blue shield with a keyhole in the center is positioned on a grid. The shield is surrounded by a circular light effect.

## PlugLock **NEW**

Locking Device to Secure Connectors



The advertisement for PlugLock features a dark blue background with a network of glowing nodes and lines. On the left, two circular images show a connector in an open state and then in a closed state with a blue padlock icon overlaid. To the right, a network of nodes and lines is shown, with several blue padlock icons placed at various points in the network.