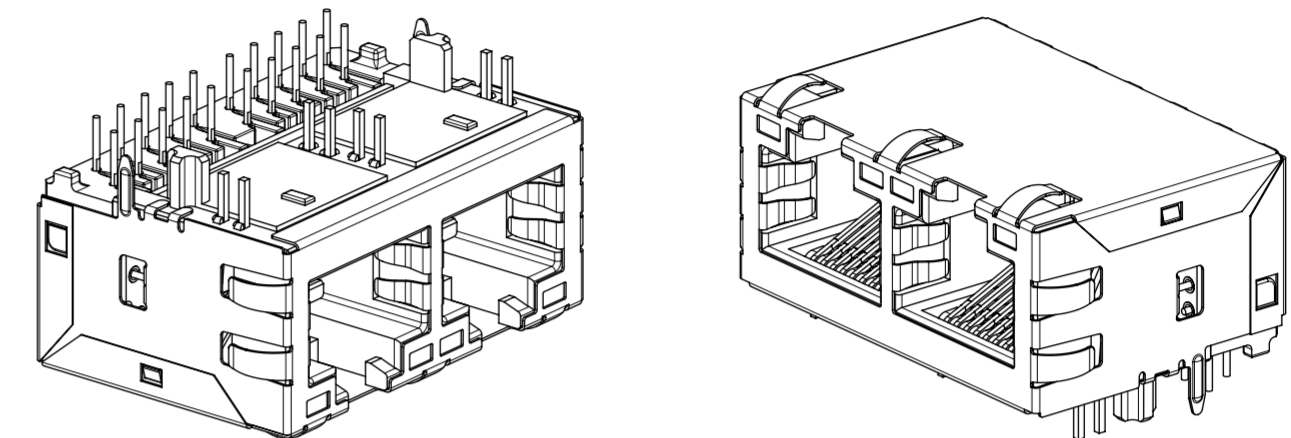
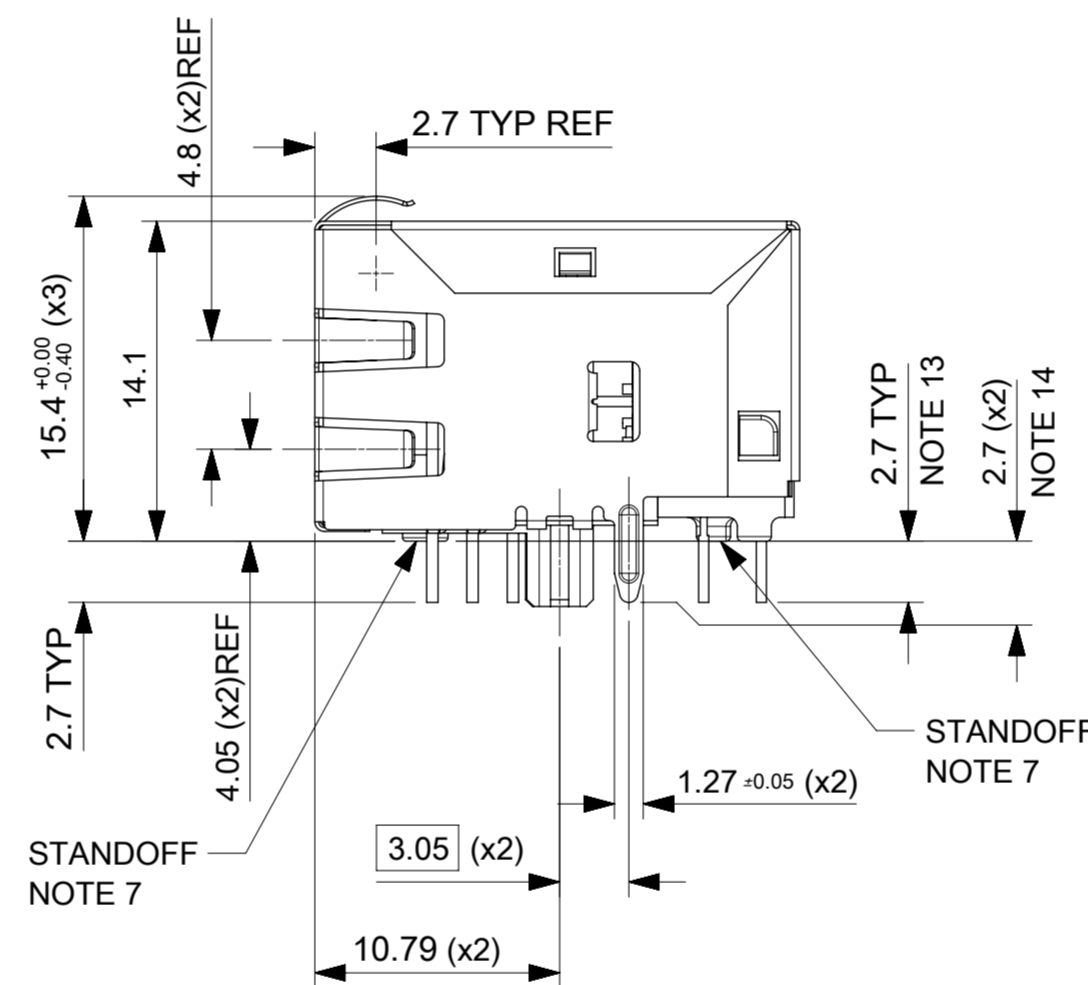
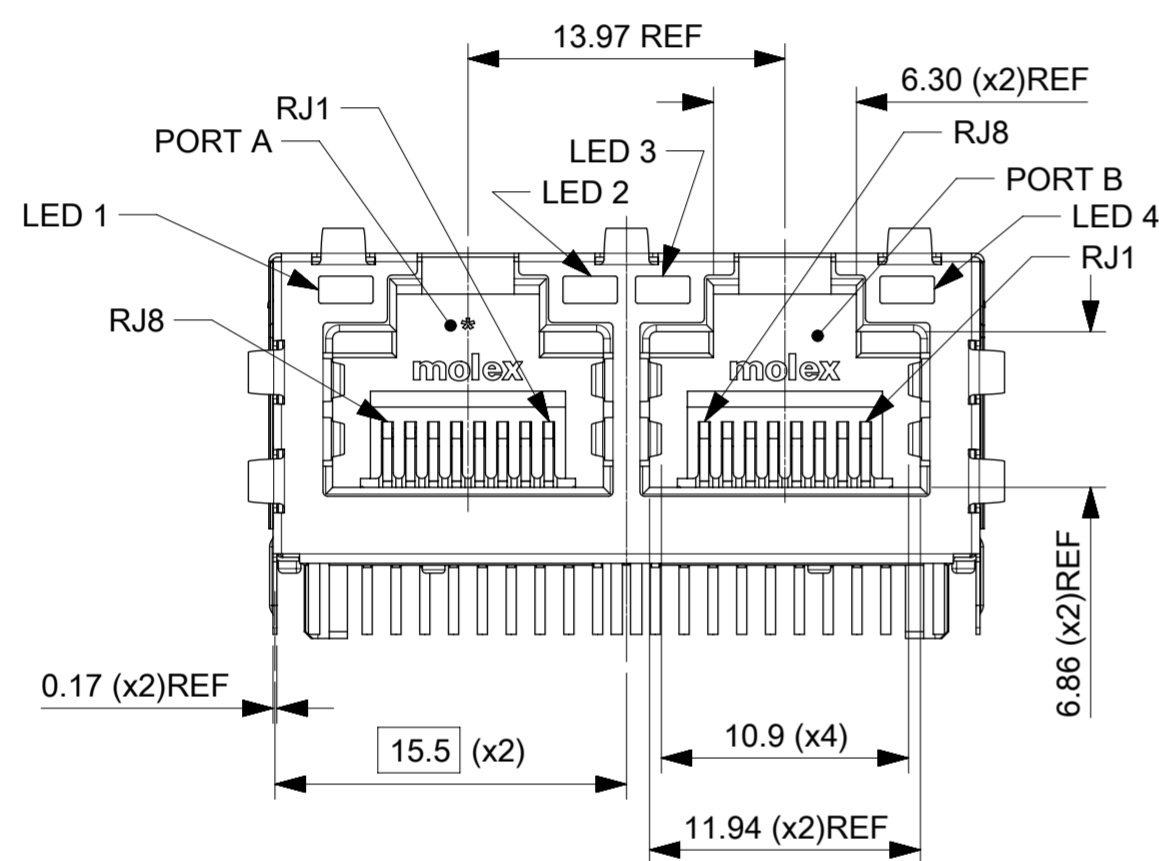


PART NO.	LED COLOR			
	LED 1	LED 2	LED 3	LED 4
938263001	GREEN	GREEN	GREEN	GREEN
938263008	GREEN/YELLOW	GREEN/YELLOW	GREEN/YELLOW	GREEN/YELLOW

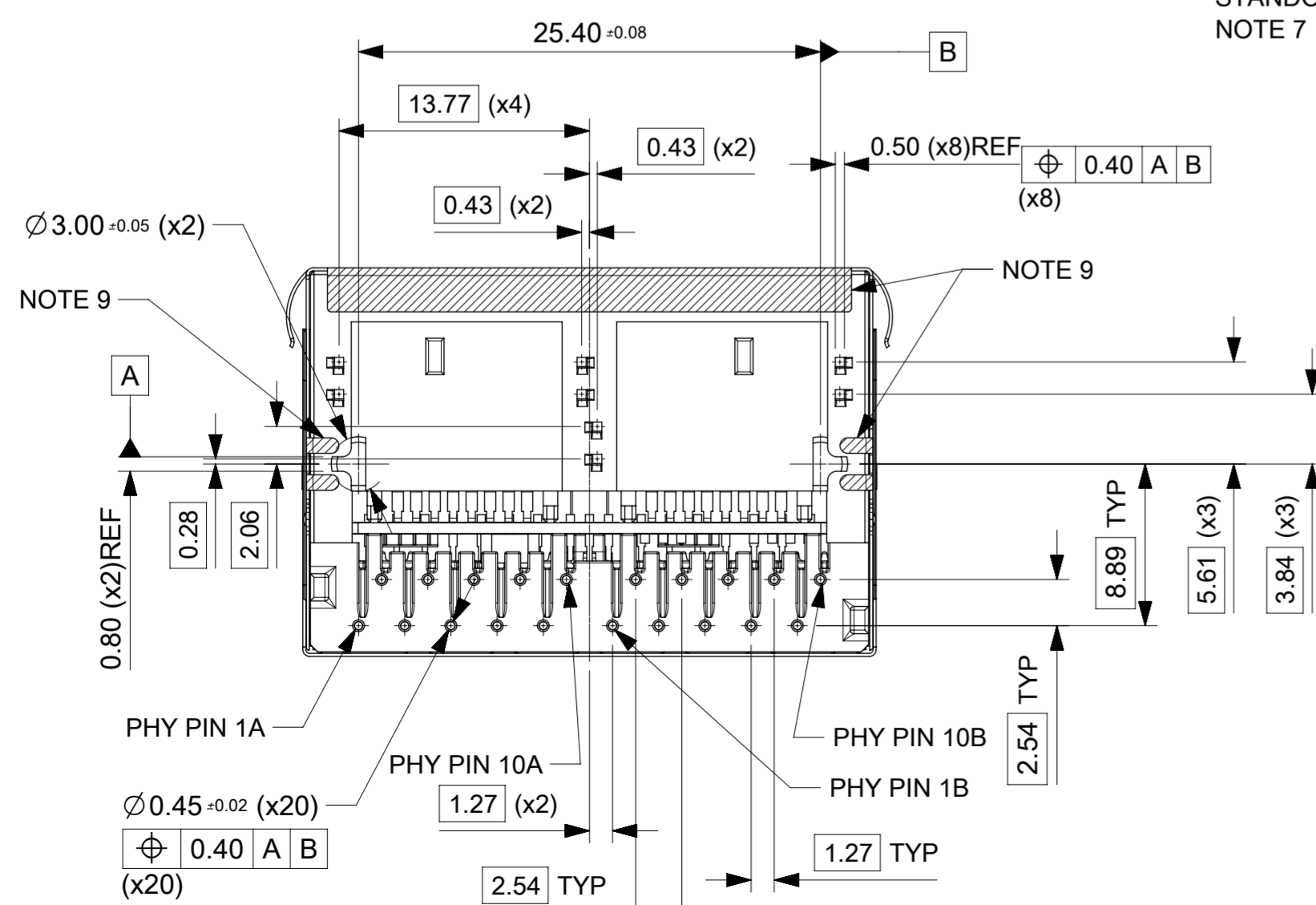


INVERTED PROFILE DUAL PORT MAGNETIC JACK
GIGABIT ETHERNET
WITH LED
WITH SHIELD TABS



NOTES:

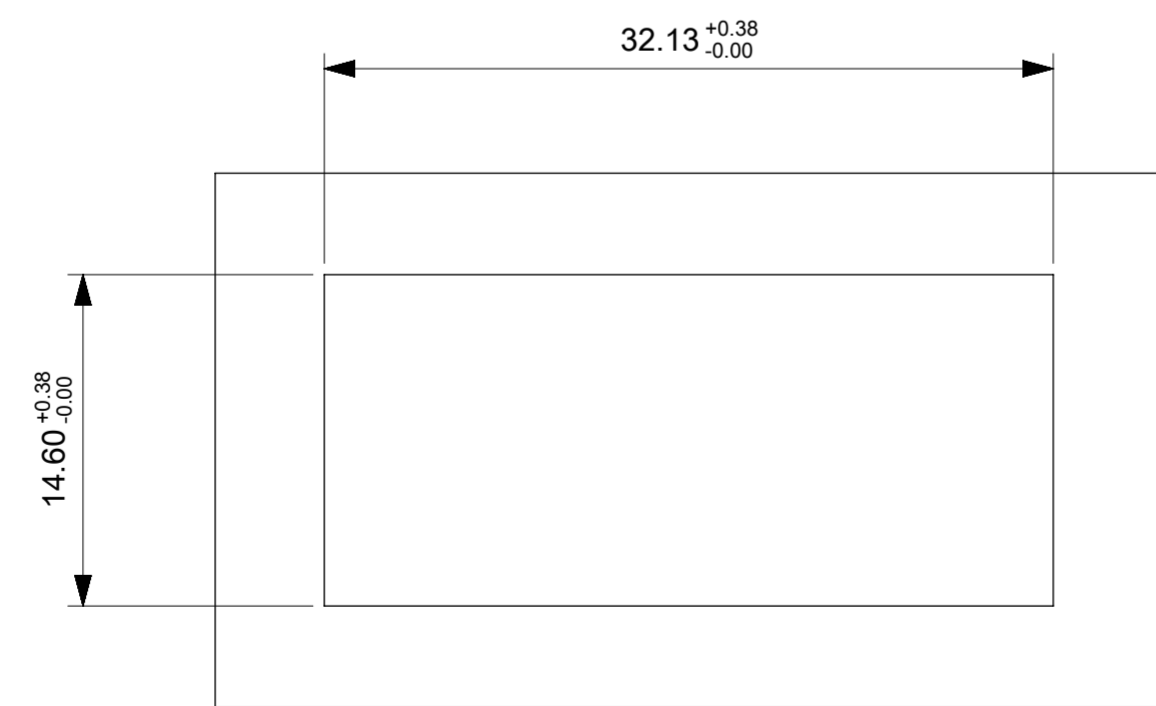
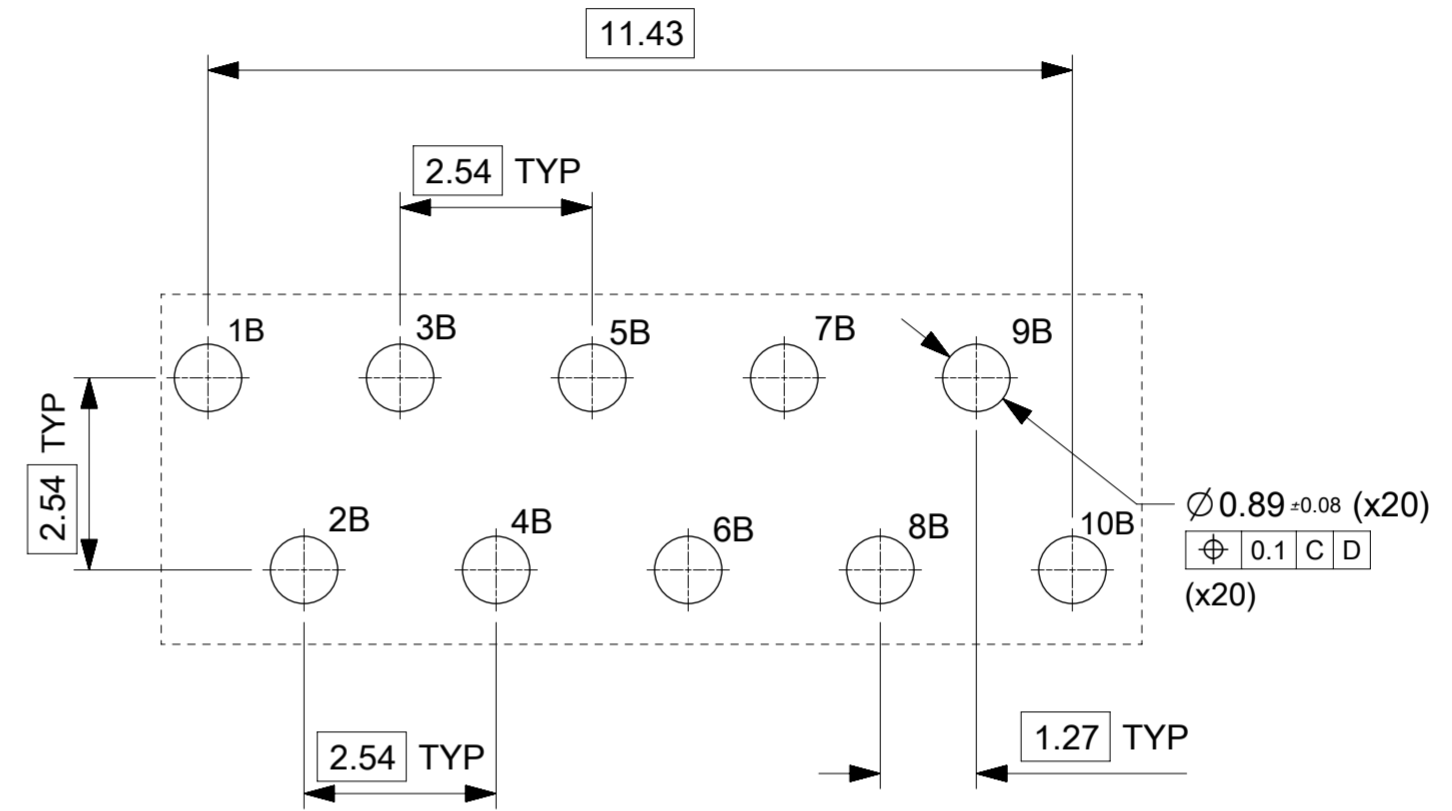
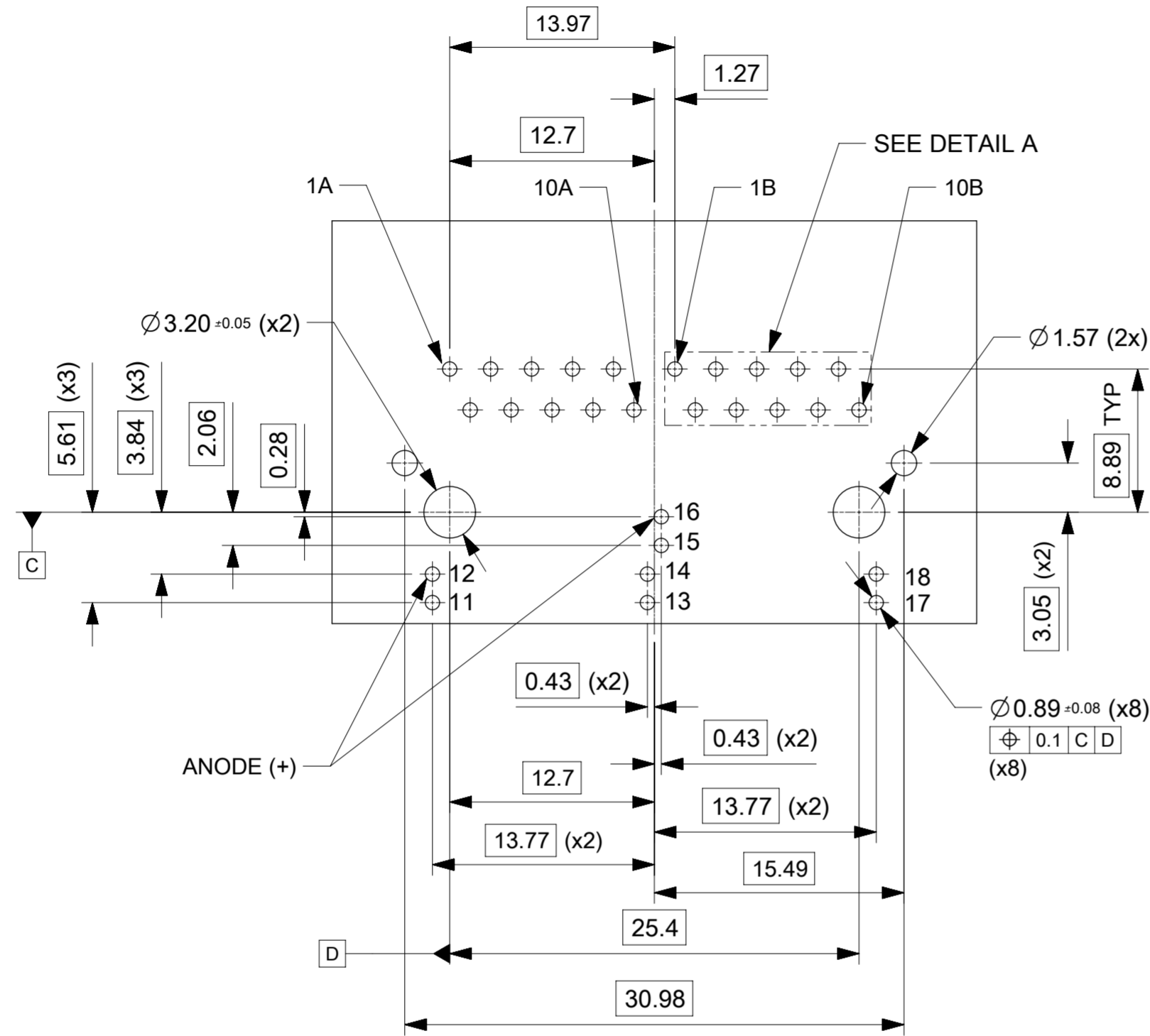
- SHIELD MATERIAL: 0.17 mm THICK BRASS PRE-PLATED WITH NICKEL
SOLDER TABS POST DIPPED WITH MIN. 1.27 μm TIN
- HOUSING MATERIAL: LCP, BLACK, UL 94V-0
- TERMINALS MATERIAL: PHOSPHOR BRONZE
RJ45 CONTACTS PLATING: BASE NICKEL PLATED WITH GOLD
FLASH OVER PALLADIUM NICKEL. REFER TO 934620001 PSP
PHY SOLDER TAILS: COPPER ALLOY
- MATING INTERFACE ACCORDING TO IEC 60603-7 & TIA-1096-A
- PRODUCT SPECIFICATION: 934620001 PSP
- PACKAGING SPECIFICATION: 938240001 PSK TRAY
TRAY DRAWING NUMBER: 990250161 PSD
- STAND OFF TO SYSTEM BOARD 0.30 mm MIN
- RECOMMENDED PCB THICKNESS: 1.6 mm
- SHIELD: AVOID ROUTING TRACES
OR PLACING ANY VIAS BELOW THESE AREAS.
- MATERIAL COMPLIANT TO RoHS DIRECTIVE 2002/95/EC
- INSCRIPTION MARKED BY LASER:
1st: MOLEX
2nd: PART NUMBER
- INSCRIPTION MARKED BY LASER:
DATE CODE (DAY/WEEK/YEAR)
- PHY PIN LENGTH
- SHIELD SOLDER TAB LENGTH



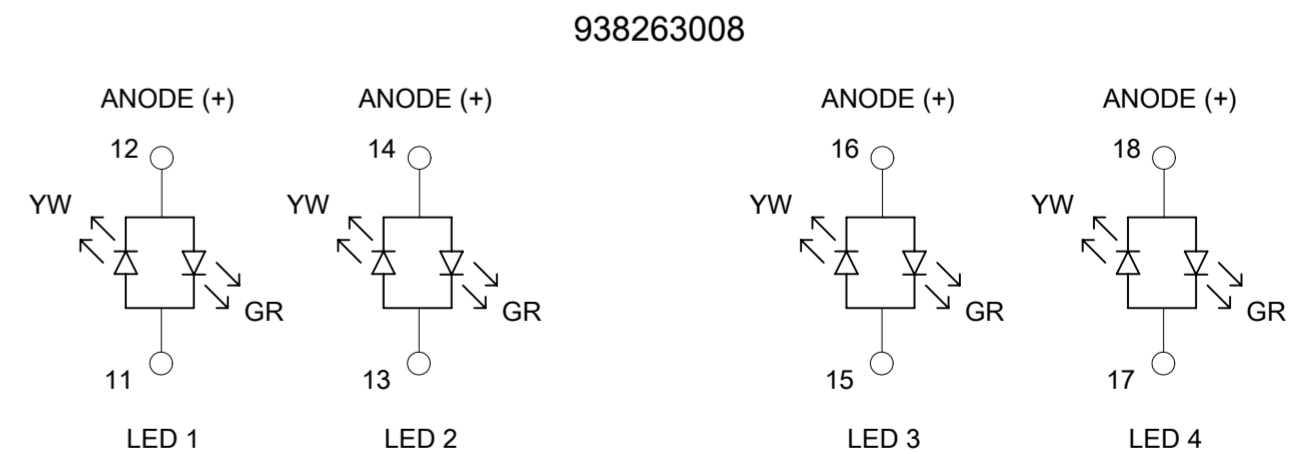
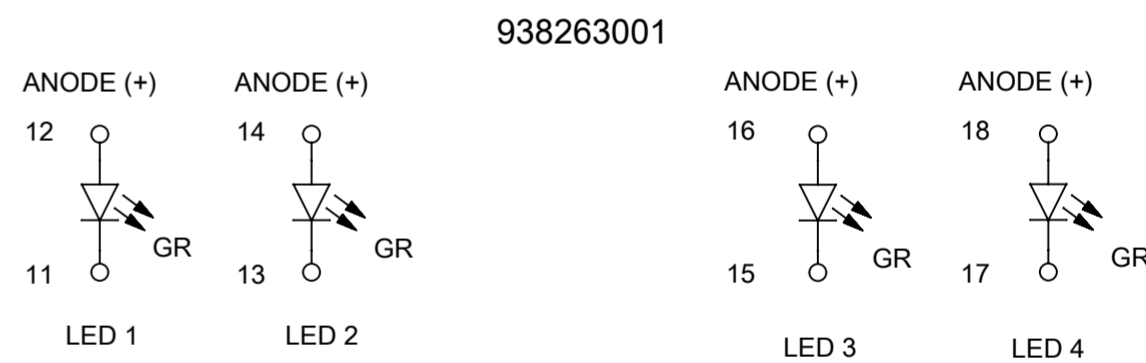
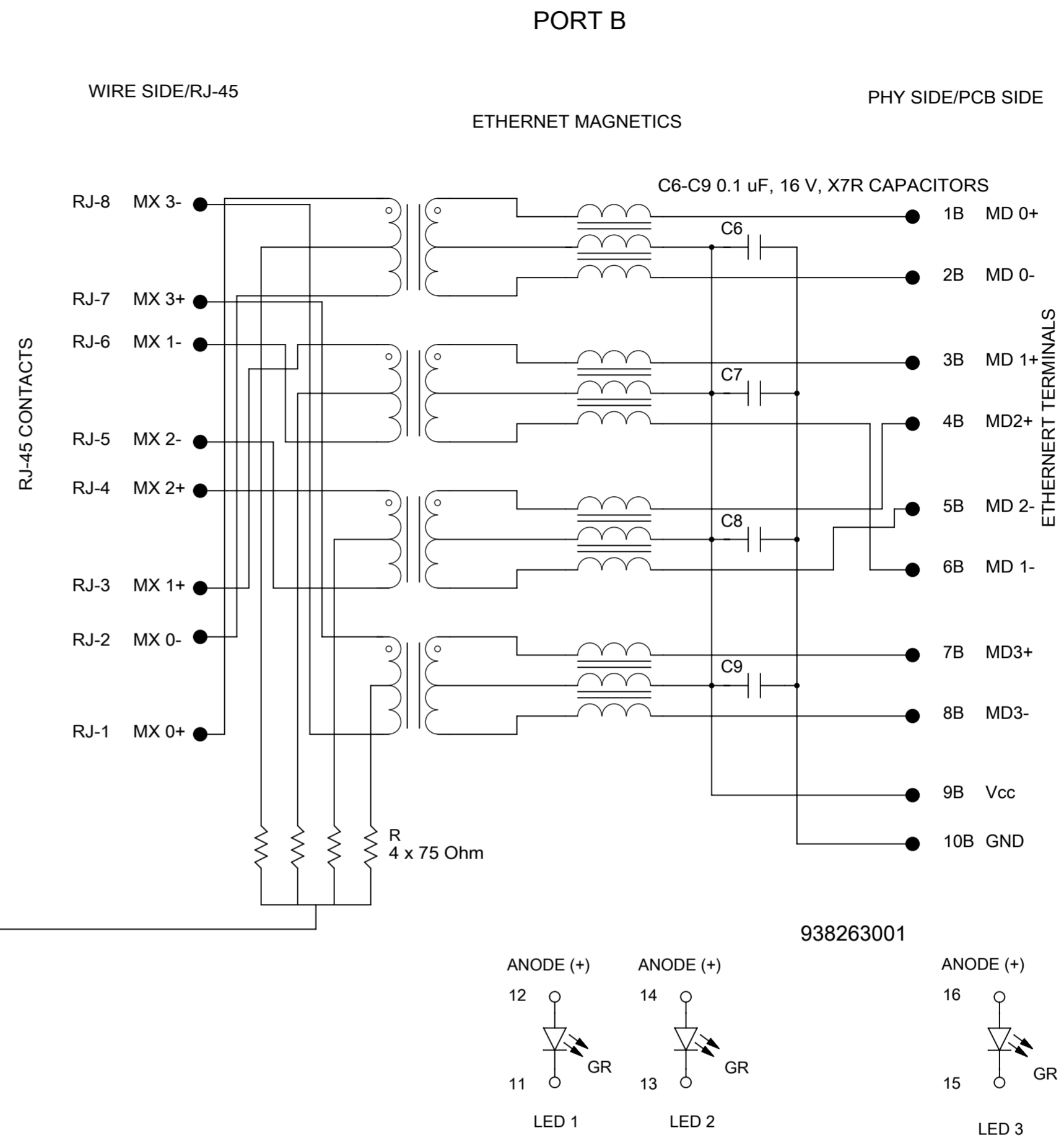
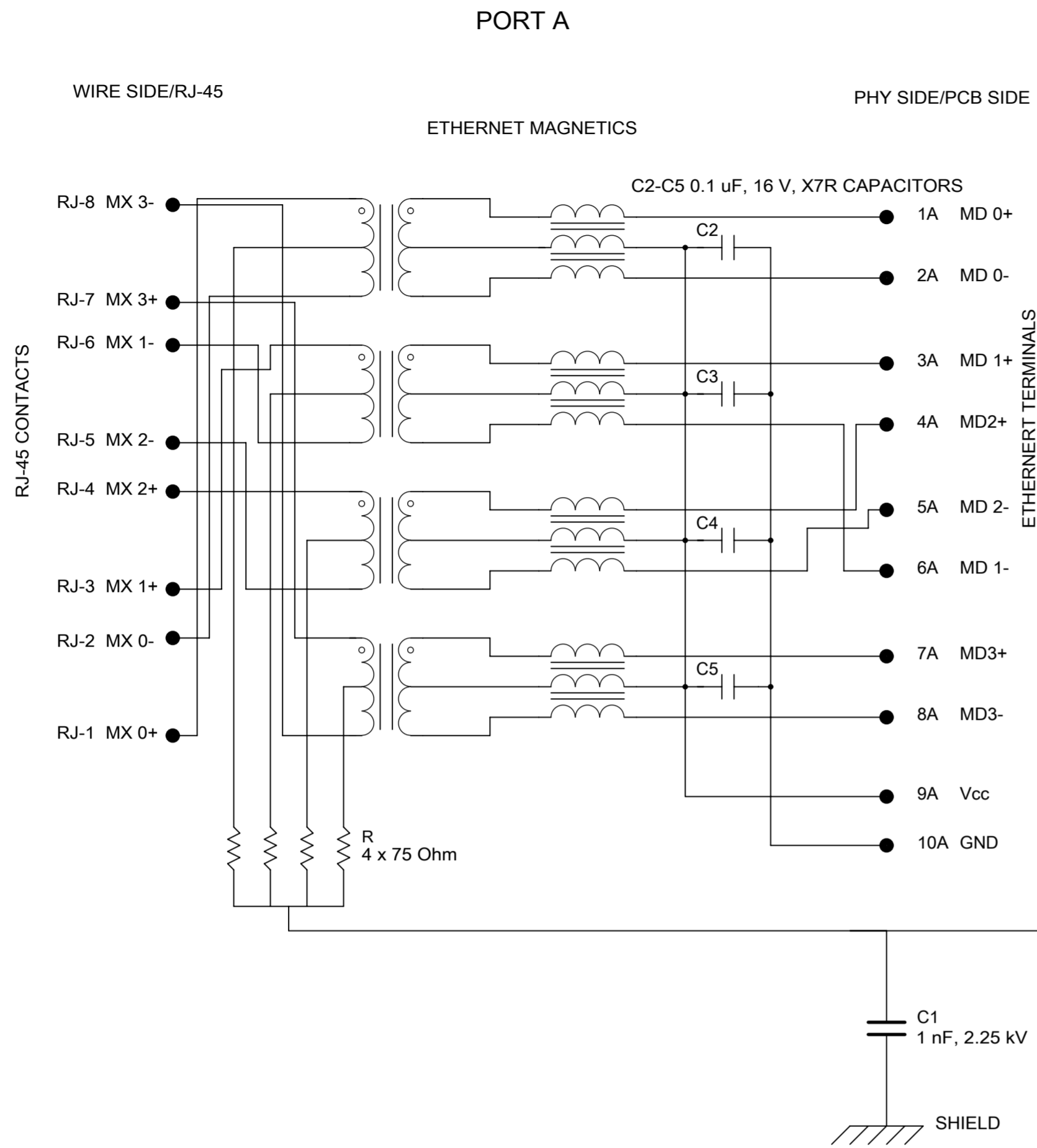
THIS DRAWING CONTAINS INFORMATION THAT IS PROPRIETARY TO MOLEX ELECTRONIC TECHNOLOGIES, LLC AND SHOULD NOT BE USED WITHOUT WRITTEN PERMISSION

DIMENSION UNITS	SCALE	CURRENT REV DESC: ADDED P/N 938263008	moLEX		
mm	3:1				
GENERAL TOLERANCES (UNLESS SPECIFIED)			MXMAG DUAL PORT 8C GIG COMMERCIAL W/ LEDS		
ANGULAR TOL	± 2.0°	EC NO: 624108	PRODUCT CUSTOMER DRAWING		
4 PLACES	±	DRWN: KREILLY 2019/02/13	DOCUMENT NUMBER		
3 PLACES	±	CHK'D: BODEA 2019/09/18	938260002		
2 PLACES	± 0.1	APPR: DBYRNES 2019/09/24	DOC TYPE		
1 PLACE	± 0.2	INITIAL REVISION:	PSD		
0 PLACES	±	DRWN: DSHEA 2017/05/31	DOC PART		
DRAFT WHERE APPLICABLE MUST REMAIN WITHIN DIMENSIONS			REVISION		
THIRD ANGLE PROJECTION			000		
DRAWING			B		
SERIES			MATERIAL NUMBER		
A2-SIZE			CUSTOMER		
93826			GENERAL MARKET		
SEE CHART			SHEET NUMBER		
1 OF 3					

RECOMMENDED PCB LAYOUT
GIG VERSION W/ LED
COMPONENT SIDE
ALL DIMENSIONS REF DIMENSIONS

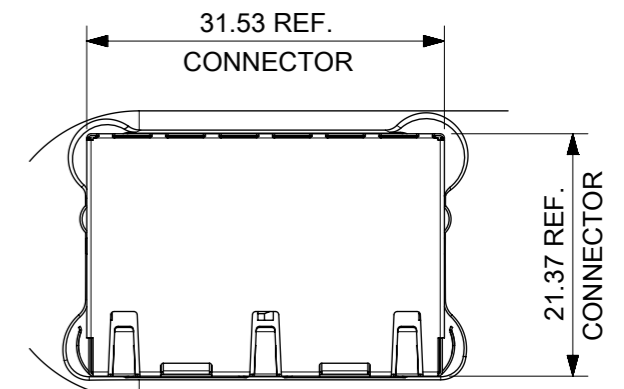
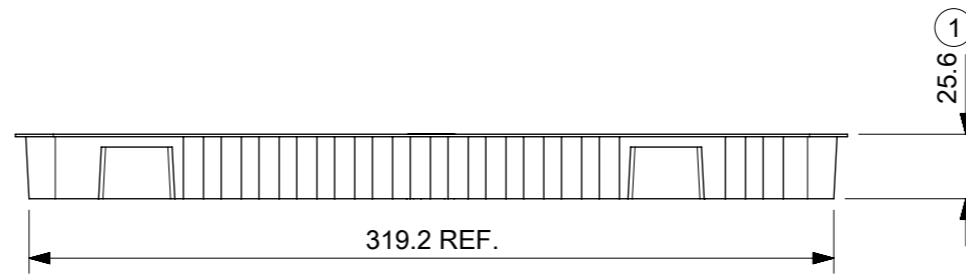
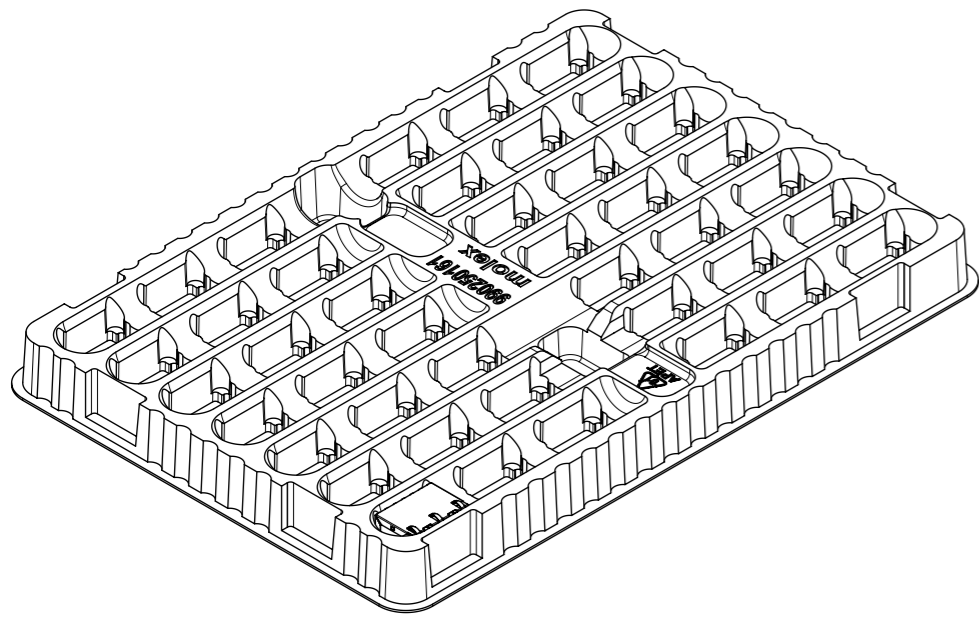


THIS DRAWING CONTAINS INFORMATION THAT IS PROPRIETARY TO MOLEX ELECTRONIC TECHNOLOGIES, LLC AND SHOULD NOT BE USED WITHOUT WRITTEN PERMISSION													
DIMENSION UNITS		SCALE		CURRENT REV DESC: ADDED P/N 938263008									
mm		3:1		molex MXMAG DUAL PORT 8C GIG COMMERCIAL W/ LEDS PRODUCT CUSTOMER DRAWING									
GENERAL TOLERANCES (UNLESS SPECIFIED)										EC NO: 624108		2019/02/13	
ANGULAR TOL		± 2.0°								DRWN: KREILLY		2019/09/18	
4 PLACES		±								CHK'D: BODEA		2019/09/18	
3 PLACES		±								APPR: DBYRNES		2019/09/24	
2 PLACES		± 0.1		INITIAL REVISION:									
1 PLACE		± 0.2		DRWN: DSHEA		2017/05/31		DOCUMENT NUMBER					
0 PLACES		±		APPR: DBYRNES		2017/11/07		938260002					
DRAFT WHERE APPLICABLE MUST REMAIN WITHIN DIMENSIONS		THIRD ANGLE PROJECTION		DRAWING		SERIES		MATERIAL NUMBER					
				A2-SIZE		93826		SEE SHEET 1					
				GENERAL MARKET		CUSTOMER		SHEET NUMBER					
								2 OF 3					

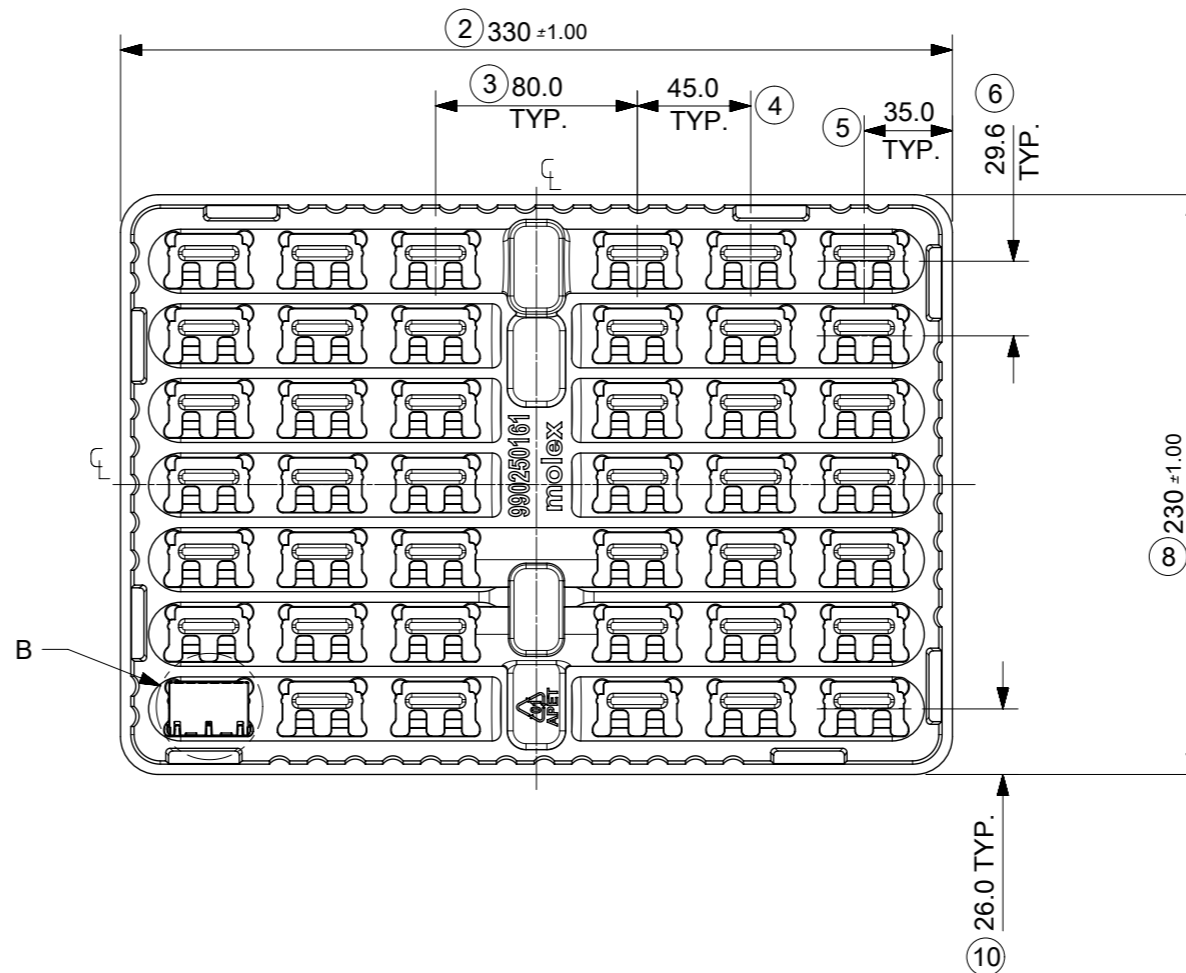
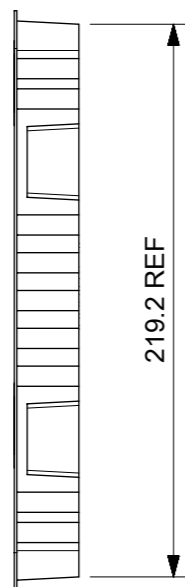


Description	Value	
OCL @100 kHz, 0.1 V, 8 mA DC bias (0°C to +70°C)	350 μH min.	
Turns ratio	1CT:1CT	
Transmission characteristics @ 25°C, all four pairs		
Insertion Loss		
Frequency f, (MHz)	Limits (dB max.)	Typical Values (dB max.)
1.0-9.9	0.4+0.1*log(f)	0.5 @ 10 MHz
10-49.9	0.5+0.3*log(f/10)	0.7 @ 50 MHz
50-79.9	1+1.4*log(f/80)	1.0 @ 80 MHz
80-100	1.3+3*log(f/100)	1.3 @ 100 MHz
Return Loss		
Frequency f, (MHz)	Limits (dB min.)	Typical Values (dB min.)
1.0-39.9	18	18 @ 40 MHz
40-100	12-20*log(f/80)	10 @ 100 MHz
CMR		
Frequency f, (MHz)	Limits (dB min.)	Typical Values (dB min.)
1.0-100	30	30 @ 100 MHz
NEXT		
Frequency f, (MHz)	Limits (dB min.)	Typical Values (dB min.)
1.0-39.9	35	35 @ 40 MHz
40-100	33-20*log(f/50)	27 @ 100 MHz
Isolation PHY to wire side	2.25 kV DC/60sec	

THIS DRAWING CONTAINS INFORMATION THAT IS PROPRIETARY TO MOLEX ELECTRONIC TECHNOLOGIES, LLC AND SHOULD NOT BE USED WITHOUT WRITTEN PERMISSION														
DIMENSION UNITS	SCALE	CURRENT REV DESC: ADDED P/N 938263008												
mm	1:1	 MXMAG DUAL PORT 8C GIG COMMERCIAL W/ LEDS												
GENERAL TOLERANCES (UNLESS SPECIFIED)														
ANGULAR TOL	± 2.0°													
4 PLACES	±													
3 PLACES	±													
2 PLACES	± 0.1	EC NO: 624108		2019/02/13		PRODUCT CUSTOMER DRAWING								
1 PLACE	± 0.2	DRWN: KREILLY		2019/09/18										
0 PLACES	±	CHK'D: BODEA		2019/09/24										
DRAFT WHERE APPLICABLE MUST REMAIN WITHIN DIMENSIONS		APPR: DBYRNES		2017/05/31						DOCUMENT NUMBER		DOC TYPE	DOC PART	REVISION
THIRD ANGLE PROJECTION		DRAWING		SERIES						938260002		PSD	000	B
A2-SIZE		93826		MATERIAL NUMBER		CUSTOMER		SHEET NUMBER						
SEE SHEET 1		GENERAL MARKET		3 OF 3										



DETAIL B
SCALE 3:2



NOTES:

1. MATERIAL: PETA ANTISTATIC
2. THICKNESS: 0.9 mm REF
3. COLOUR: CLEAR
4. BOW 2 mm MAXIMUM PER 330 mm
5. TWIST 2 mm MAXIMUM PER 330 mm
6. TRAY PART NO. AND RECYCLE LOGO TO BE CLEARLY MARKED ON TRAY
RECYCLE LOGO SHOULD BE APPROPRIATE TO MATERIAL USED
7. WHERE RELEVANT, DIMENSIONS SHOULD BE SYMMETRICAL ABOUT THE CENTRELINE
8. GENERAL PROFILE TOLERANCE $\frac{\text{R}}{0.40}$ ON NON DIMENSIONED FEATURES
9. PACKAGING SPECIFICATION: 938240001 PSK

DIMENSION NUMBERS DELETED: 7, 9, 11, 12
LAST INSPECTION NUMBER USED: 10

THIS DRAWING CONTAINS INFORMATION THAT IS PROPRIETARY TO MOLEX ELECTRONIC TECHNOLOGIES, LLC AND SHOULD NOT BE USED WITHOUT WRITTEN PERMISSION

ORIGINAL RELEASE EC NO: 123046 DRWN: DSHEA CHK'D: SMCGREEVY APPR: DBYRNES	2017/10/17	2017/10/23	2017/11/07	GENERAL TOLERANCES (UNLESS SPECIFIED) ANGULAR TOL ± 1.0 ° 4 PLACES ± 3 PLACES ± 2 PLACES ± 0.2 1 PLACE ± 0.5 0 PLACES ± DRAFT WHERE APPLICABLE MUST REMAIN WITHIN DIMENSIONS	DIMENSION UNITS	SCALE	molex [®]			
					mm	1:3				MXMAG DUAL PORT TRAY
						DRWN BY	DATE	PRODUCT CUSTOMER DRAWING		
						SMCGREEVY	2017/06/15	SERIES	MATERIAL NUMBER	CUSTOMER
				CHK'D BY	DATE	99025	990250150	GENERAL MARKET		
				SMCGREEVY	2017/10/23	DOCUMENT NUMBER				
				APPR BY	DATE	990250161				
				DBYRNES	2017/11/07	DOC TYPE	DOC PART	SHEET NUMBER		
				DRAWING SIZE	THIRD ANGLE PROJECTION	PSD	000	1 OF 1		
				A3						

RELEASE STATUS	P1	RELEASE DATE	07.11.2017	10:13:22
----------------	----	--------------	------------	----------