

ISL6336, ISL6336A

6-Phase PWM Controller with Light Load Efficiency Enhancement and Current Monitoring

FN6504
Rev 2.00
January 15, 2016

The ISL6336, ISL6336A controls microprocessor core voltage regulation by driving up to 6 interleaved synchronous-rectified buck channels in parallel. Multiphase buck converter architecture uses interleaved timing to multiply channel ripple frequency and reduce input and output ripple currents. Lower ripple results in fewer components, lower component cost, reduced power dissipation, and smaller implementation area.

Microprocessor loads can generate load transients with extremely fast edge rates and require high efficiency over the full load range. The ISL6336, ISL6336A utilizes Intersil's proprietary Active Pulse Positioning (APP) and Adaptive Phase Alignment (APA) modulation scheme and a proprietary active phase dropping/adding and diode emulation scheme to achieve extremely fast transient response with fewer output capacitors and high efficiency from light load to full load.

The ISL6336, ISL6336A is compliant with Intel's VR11.1 specification. Features include a pin (IMON) for current monitoring and a Power State Indicator (PSI#) input pin to initiate a proprietary phase dropping and diode emulation scheme for higher efficiency at light load by dropping to 1- or 2-phase operation with optional diode emulation (ISL6336) to reduce switching and core losses in the converter. After the PSI# signal is de-asserted, the dropped phase(s) are added back to sustain heavy load transient and efficiency.

Today's microprocessors require a tightly regulated output voltage position versus load current (droop). The ISL6336, ISL6336A senses the output current continuously by utilizing patented techniques to measure the voltage across a dedicated current sense resistor or the DCR of the output inductor. Current sensing provides the needed signals for precision droop, channel-current balancing, and overcurrent protection. A programmable integrated temperature compensation function is implemented to effectively compensate the temperature variation of the current sense element. A current limit function provides overcurrent protection for the individual phase.

A unity gain, differential amplifier is provided for remote voltage sensing and eliminates any potential difference between remote and local grounds. This improves regulation and protection accuracy. The threshold-sensitive enable input is available to accurately coordinate the start up of the ISL6336, ISL6336A with any other voltage rail. Dynamic-VID™ technology allows seamless on-the-fly VID changes. The offset pin allows accurate voltage offset settings that are independent of VID setting.

Features

- Intel VR11.1 Compliant
- Proprietary Active Pulse Positioning and Pin Adaptive Phase Alignment Modulation Scheme
- Proprietary Active Phase Adding and Dropping with Diode Emulation for High Efficiency at Light Load
- Precision Multiphase Core Voltage Regulation
 - Differential Remote Voltage Sensing
 - ±0.5% System Accuracy Over Life, Load, Line and Temperature
 - Bi-directional Adjustable Reference-Voltage Offset
- Precision Resistor or DCR Current Sensing
 - Accurate Load-Line Programming
 - Accurate Channel-Current Balancing
 - Accurate Current Monitoring Output Pin (IMON)
- Microprocessor Voltage Identification Input
 - Dynamic VID™ Technology
 - 8-Bit VID Input With VR11 Code
- Thermal Monitor and OV Protection with OVP Output
- Average Overcurrent Protection and Channel Current Limit
- Precision Overcurrent Protection on IMON pin
- Integrated Open Sense Line Protection
- Integrated Programmable Temperature Compensation
- 1- to 6-Phase Operation; Coupled Inductor Compatible
- Adjustable Switching Frequency up to 1MHz Per Phase
- Package Option
 - QFN Compliant to JEDEC PUB95 MO-220 QFN - Quad Flat No Leads - Product Outline
- Pb-Free (RoHS Compliant)

Ordering Information

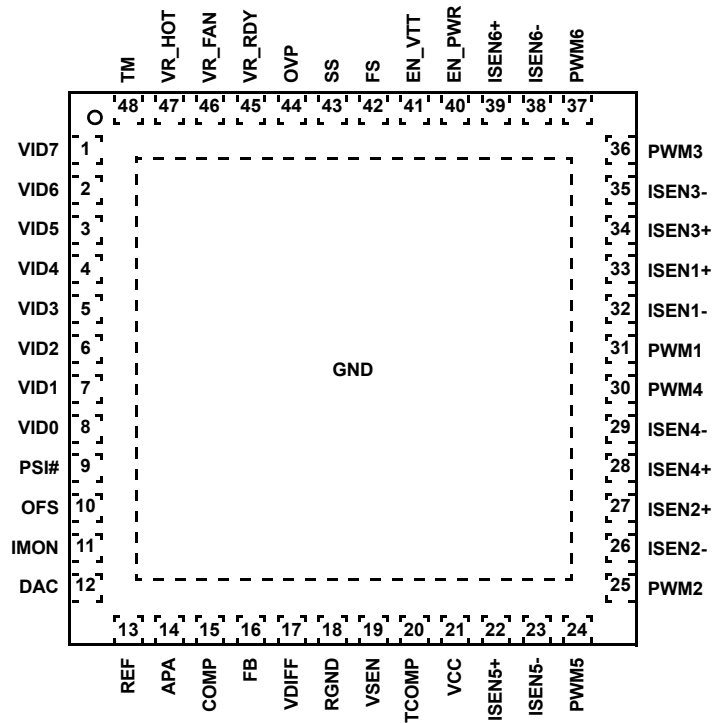
PART NUMBER	PART MARKING	TEMP. RANGE (°C)	PACKAGE (Pb-Free)	PKG. DWG. #
ISL6336CRZ*	ISL6336 CRZ	0 to +70	48 Ld 7x7 QFN	L48.7x7
ISL6336IRZ* No longer available or supported	ISL6336 IRZ	-40 to +85	48 Ld 7x7 QFN	L48.7x7
ISL6336ACRZ*	ISL6336A CRZ	0 to +70	48 Ld 7x7 QFN	L48.7x7
ISL6336AIRZ* No longer available or supported	ISL6336A IRZ	-40 to +85	48 Ld 7x7 QFN	L48.7x7

*Add "-T" for tape and reel. Please refer to TB347 for details on reel specifications.

NOTE: These Intersil Pb-free plastic packaged products employ special Pb-free material sets, molding compounds/die attach materials, and 100% matte tin plate plus anneal (e3 termination finish, which is RoHS compliant and compatible with both SnPb and Pb-free soldering operations). Intersil Pb-free products are MSL classified at Pb-free peak reflow temperatures that meet or exceed the Pb-free requirements of IPC/JEDEC J STD-020.

Pinout

ISL6336, ISL6336A
(48 LD QFN)
TOP VIEW

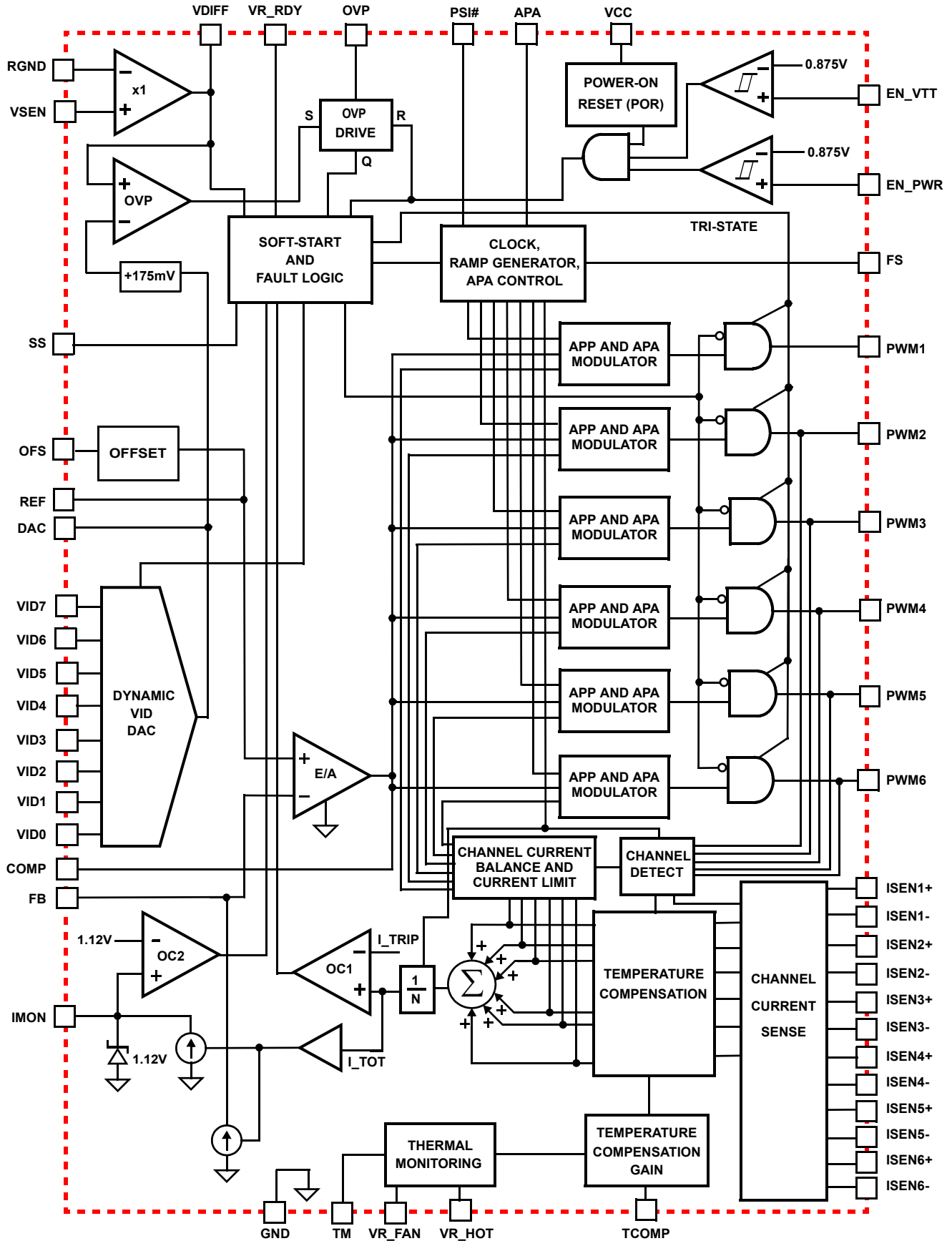


Controller and Driver Recommendations

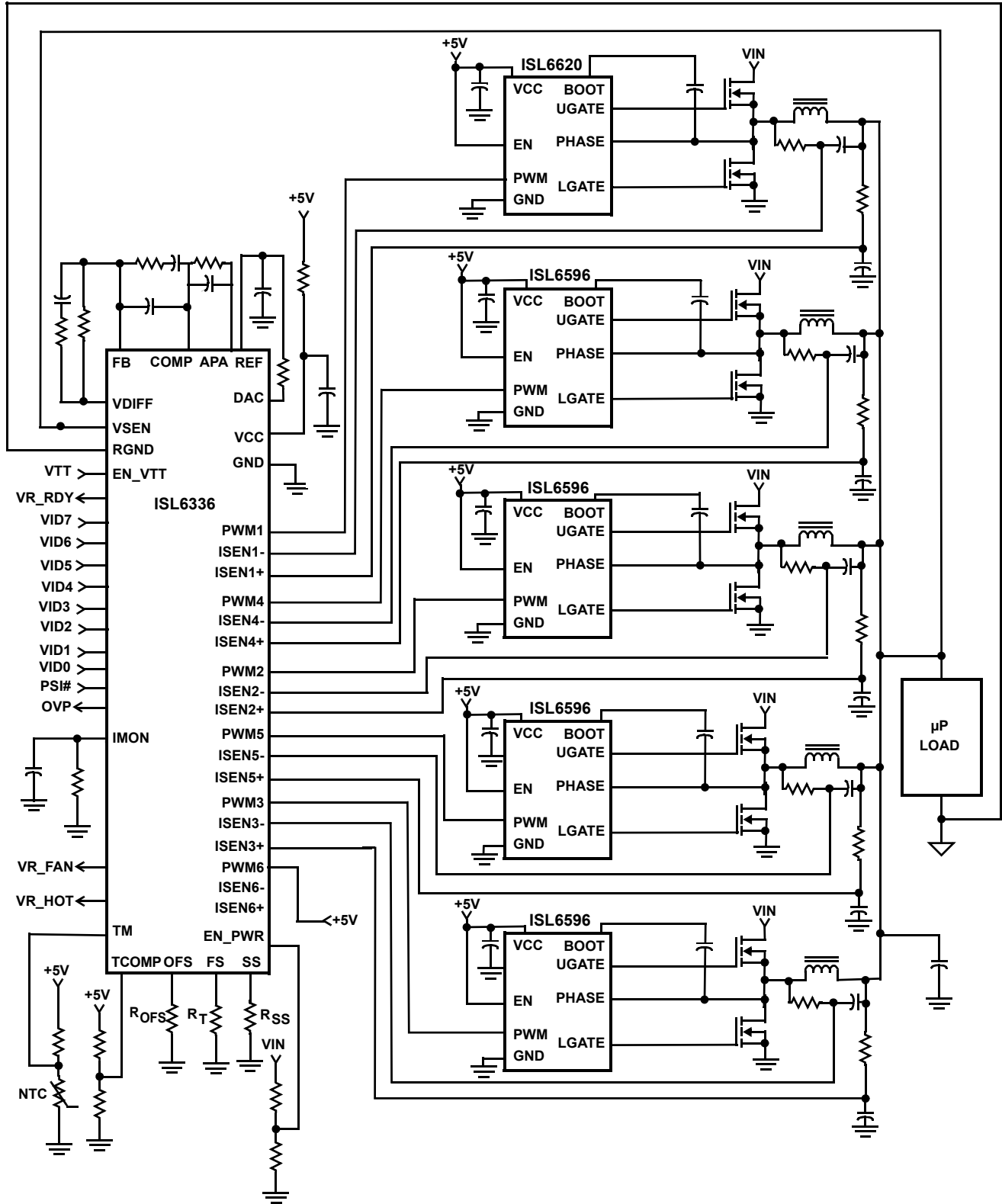
CONTROLLER	COMMENTS				
ISL6336	When PSI# is asserted (LOW), the controller generates a 3-level PWM pattern on the phases that are active in PSI# mode. The active phases in PSI# mode must use VR11.1 drivers, ISL6622, ISL6620 for diode emulation.				
ISL6336A	When PSI# is asserted (LOW), the PWM pattern has only high and low states except for fault modes. The controller can be used with any Intersil driver such as ISL6612, ISL6614, ISL6609, ISL6610. ISL6622, ISL6620 can also be used.				
DRIVER	GATE DRIVE VOLTAGE	# OF GATE DRIVES	DIODE EMULATION (DE)	GATE DRIVE OPTIMIZATION (GVOT)	COMMENTS
ISL6622	12V	Dual Output (Single Phase)	Yes	Yes	Use for phases that are active in PSI# mode and its coupled channel in coupled inductor applications. Can also be used on all channels.
ISL6620	5V	Dual Output (Single Phase)	Yes	No	Use for phases that are active in PSI# mode and its coupled channel in coupled inductor applications. Can also be used on all channels.
ISL6612, ISL6612A	12V	Dual Output (Single Phase)	No	No	Can be used with phases that are inactive in PSI# mode or with all channels when using the ISL6336A
ISL6596	5V	Dual Output (Single Phase)	No	No	Can be used with phases that are inactive in PSI# mode or with all channels when using the ISL6336A
ISL6614, ISL6614A	12V	Quad Output (Two Phase)	No	No	Can be used with phases that are inactive in PSI# mode or with all channels when using the ISL6336A
ISL6610	5V	Quad Output (Two Phase)	No	No	Can be used with phases that are inactive in PSI# mode or with all channels when using the ISL6336A

NOTE: Intersil 5V and 12V drivers are mostly pin-to-pin compatible and allow dual footprint layout to optimize MOSFET selection and efficiency. Dual = One Synchronous Channel; Quad = Two Synchronous channels.

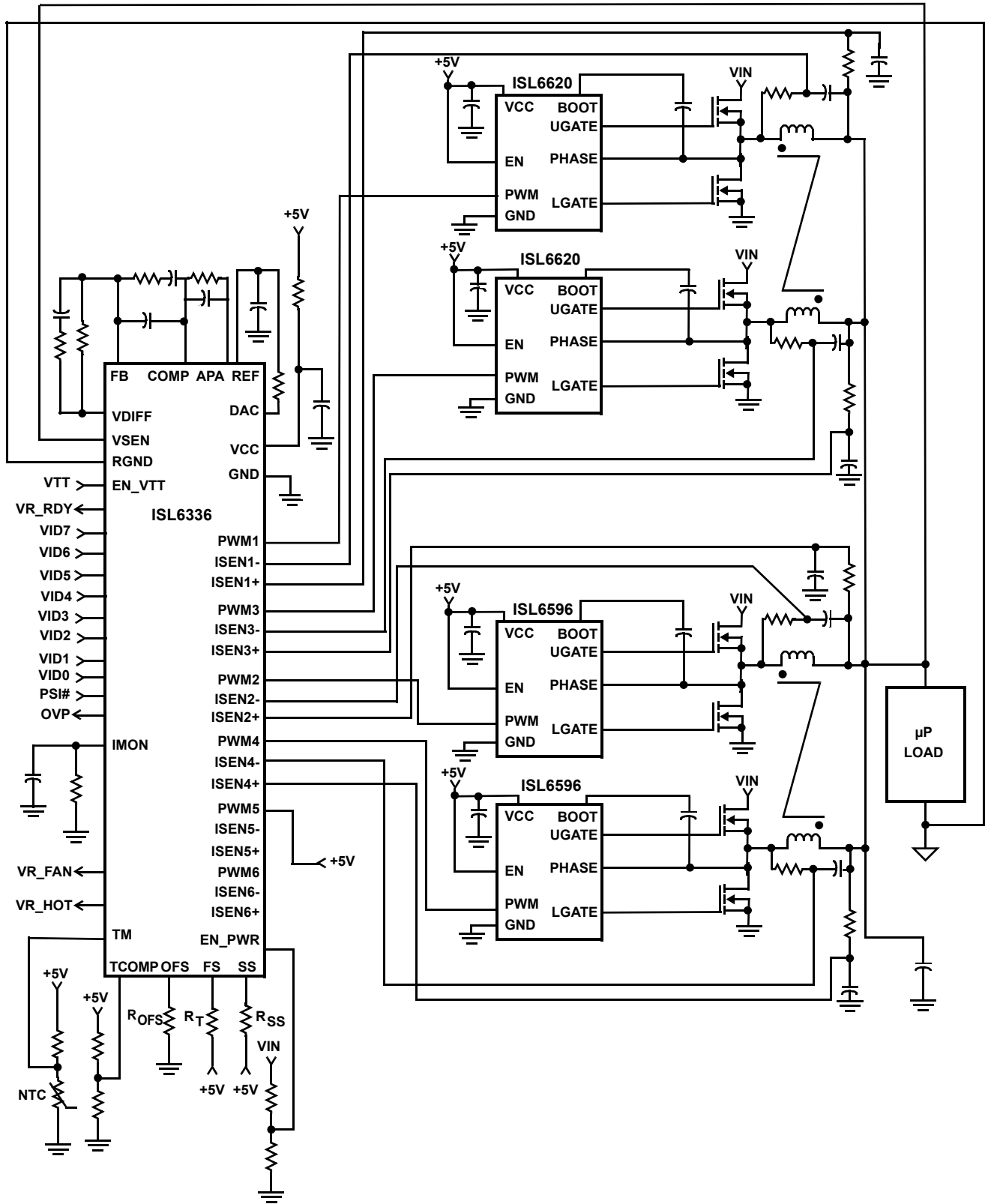
ISL6336, ISL6336A Block Diagram



Typical Application - 5-Phase Buck Converter with DCR Sensing and Integrated TCOMP



Typical Application - 4-Phase Buck Converter with coupled inductors



Absolute Maximum Ratings

Supply Voltage, VCC +6V
 All Pins GND -0.3V to V_{CC} + 0.3V

Operating Conditions

Supply Voltage, VCC +5V ±5%
 Ambient Temperature
 ISL6336ACRZ, ISL6336CRZ 0°C to +70°C
 ISL6336AIRZ, ISL6336IRZ -40°C to +85°C

Thermal Information

Thermal Resistance (Typical, Notes 1, 2) θ_{JA} (°C/W) θ_{JC} (°C/W)
 48 Ld QFN Package 29 2
 Maximum Junction Temperature +150°C
 Maximum Storage Temperature Range -65°C to +150°C
 Pb-free Reflow Profile see link below
<http://www.intersil.com/pbfree/Pb-FreeReflow.asp>

CAUTION: Do not operate at or near the maximum ratings listed for extended periods of time. Exposure to such conditions may adversely impact product reliability and result in failures not covered by warranty.

NOTES:

- θ_{JA} is measured in free air with the component mounted on a high effective thermal conductivity test board with “direct attach” features. See Tech Brief TB379.
- For θ_{JC} , the “case temp” location is the center of the exposed metal pad on the package underside.

Electrical Specifications Operating Conditions: VCC = 5V, Unless Otherwise Specified.

PARAMETER	TEST CONDITIONS	MIN (Note 7)	TYP	MAX (Note 7)	UNITS
VCC SUPPLY CURRENT					
Nominal Supply	VCC = 5VDC; EN_PWR = 5VDC; R _T = 100k Ω , ISEN1 = ISEN2 = ISEN3 = ISEN4 = ISEN5 = ISEN6 = 80 μ A	-	16	20	mA
Shutdown Supply	VCC = 5VDC; EN_PWR = 0VDC; R _T = 100k Ω	-	14	17	mA
POWER-ON RESET AND ENABLE					
POR Threshold	VCC Rising	4.3	4.4	4.5	V
	VCC Falling	3.75	3.88	4.0	V
EN_PWR Threshold	Rising	0.830	0.850	0.870	V
	Falling	0.735	0.752	0.770	V
EN_VTT Threshold	Rising	0.830	0.850	0.870	V
	Falling	0.735	0.752	0.770	V
REFERENCE VOLTAGE AND DAC					
System Accuracy of ISL6336ACRZ, ISL6336CRZ (VID = 1V to 1.6V), T _J = 0°C to +70°C	(Note 3)	-0.5	-	0.5	%VID
System Accuracy of ISL6336ACRZ, ISL6336CRZ (VID = 0.5V to 1V), T _J = 0°C to +70°C	(Note 3)	-5	-	5	mV
System Accuracy of ISL6336AIRZ, ISL6336IRZ (VID = 1V to 1.6V), T _J = -40°C to +85°C	(Note 3)	-0.6	-	0.6	%VID
System Accuracy of ISL6336AIRZ, ISL6336IRZ (VID = 0.8V to 1V), T _J = -40°C to +85°C	(Note 3)	-0.7	-	0.7	%VID
System Accuracy of ISL6336AIRZ, ISL6336IRZ (VID = 0.5V to 0.8V), T _J = -40°C to +85°C	(Note 3)	-1	-	1	%VID
VID Pull-up	After t _{D3} (see “Soft-Start” on page 19)	30	40	50	μ A
VID Input Low Level		-	-	0.4	V
VID Input High Level		0.8	-	-	V
Maximum DAC Source Current		3.5	-	-	mA
Maximum DAC Sink Current		100	-	-	μ A
Maximum REF Source/Sink Current	(Note 4)	50	-	-	μ A

Electrical Specifications Operating Conditions: VCC = 5V, Unless Otherwise Specified. (Continued)

PARAMETER	TEST CONDITIONS	MIN (Note 7)	TYP	MAX (Note 7)	UNITS
PIN-ADJUSTABLE OFFSET					
Voltage at OFS Pin	Offset resistor connected to ground	390	400	415	mV
	Voltage below VCC, offset resistor connected to VCC	1.574	1.60	1.635	V
OSCILLATORS					
Accuracy of Switching Frequency Setting	$R_T = 100k\Omega$	225	250	275	kHz
Adjustment Range of Switching Frequency	(Note 4)	0.08	-	1.0	MHz
Soft-Start Ramp Rate	$R_{SS} = 100k\Omega$ (Notes 4, 5, 6)	-	1.563	-	mV/ μ s
Adjustment Range of Soft-Start Ramp Rate	(Note 4)	0.625	-	6.25	mV/ μ s
PWM GENERATOR					
Sawtooth Amplitude	(Note 4)	-	1.5	-	V
ERROR AMPLIFIER					
Open-Loop Gain	$R_L = 10k\Omega$ to ground (Note 4)	-	96	-	dB
Open-Loop Bandwidth	$C_L = 100pF$, $R_L = 10k\Omega$ to ground (Note 4)	-	80	-	MHz
Slew Rate	$C_L = 100pF$ (Note 4)	-	25	-	V/ μ s
Maximum Output Voltage		3.8	4.4	4.9	V
Output High Voltage @ 2mA		3.6	-	-	V
Output Low Voltage @ 2mA		-	-	1.6	V
REMOTE-SENSE AMPLIFIER					
Bandwidth	(Note 4)	-	20	-	MHz
Output High Current	VSEN - RGND = 2.5V	-500	-	500	μ A
Output High Current	VSEN - RGND = 0.6V	-500	-	500	μ A
APA INPUT					
APA Sink Current		-	50	-	μ A
PWM OUTPUT					
Sink Impedance	PWM = LOW with 1mA load	100	220	300	Ω
Source Impedance	PWM = HIGH, forced to 3.7V	200	320	400	Ω
PSI# INPUT					
Threshold HIGH		-	-	0.8	V
Threshold LOW		0.4	-	-	V
CURRENT SENSE AND OVERCURRENT PROTECTION					
Sensed Current Tolerance	ISEN1 = ISEN2 = ISEN3 = ISEN4 = ISEN5 = ISEN6 = 40 μ A; Offset and Mirror Error Included, RISENx = 200 Ω	36.5	-	42	μ A
	ISEN1 = ISEN2 = ISEN3 = ISEN4 = ISEN5 = ISEN6 = 80 μ A; Offset and Mirror Error Included, RISENx = 200 Ω	74	-	83	μ A
Overcurrent Trip Level for Average Current (PSI# = 1)	Offset and Mirror Error Included, RISENx = 200 Ω	96	105	117	μ A
Overcurrent Trip Level for Average Current (PSI# = 0)	Number of Phases = 6, Drop to 1-Phase	-	135	-	μ A
Peak Current Limit for Individual Channel		115	129	146	μ A
IMON Voltage Clamp and OCP Trip Level		1.085	1.11	1.14	V
THERMAL MONITORING AND FAN CONTROL					
TM Input Voltage for VR_FAN Trip		38.7	39.1	39.6	%VCC

Electrical Specifications Operating Conditions: VCC = 5V, Unless Otherwise Specified. (Continued)

PARAMETER	TEST CONDITIONS	MIN (Note 7)	TYP	MAX (Note 7)	UNITS
TM Input Voltage for VR_FAN Reset		44.6	45.1	45.5	%VCC
TM Input Voltage for VR_HOT Trip		32.9	33.3	33.7	%VCC
TM Input Voltage for VR_HOT Reset		38.7	39.1	39.6	%VCC
Leakage Current of VR_FAN	With external pull-up resistor connected to VCC	-	-	5	μA
VR_FAN Low Voltage	With 1.24kΩ resistor pull-up to VCC, I _{VR_FAN} = 4mA	-	-	0.3	V
Leakage Current of VR_HOT	With external pull-up resistor connected to VCC	-	-	5	μA
VR_HOT Low Voltage	With 1.24kΩ resistor pull-up to VCC, I _{VR_HOT} = 4mA	-	-	0.3	V
VR READY AND PROTECTION MONITORS					
Leakage Current of VR_RDY	With external pull-up resistor connected to VCC	-	-	5	μA
VR_RDY Low Voltage	I _{VR_RDY} = 4mA	-	-	0.3	V
Undervoltage Threshold	VDIFF Falling	48	50	52	%VID
VR_RDY Reset Voltage	VDIFF Rising	57	59.6	62	%VID
Oversvoltage Protection Threshold	Before valid VID	1.250	1.273	1.300	V
	After valid VID, the voltage above VID	138	170	195	mV
Oversvoltage Protection Reset Hysteresis		-	100	-	mV
OVP Output Low Voltage	IOVP = 4mA	-	0.106	0.16	V

NOTES:

3. These parts are designed and adjusted for accuracy with all errors in the voltage loop included.
4. Limits should be considered typical and are not production tested.
5. During soft-start, VDACC rises from 0 to 1.1V first and then ramp to VID voltage after receiving valid VID input.
6. Soft-start ramp rate is determined by the adjustable soft-start oscillator frequency at the speed of 6.25mV per cycle.
7. Parameters with MIN and/or MAX limits are 100% tested at +25°C, unless otherwise specified. Temperature limits established by characterization and are not production tested.

Functional Pin Description

VCC - Supplies the power necessary to operate the chip. The controller starts to operate when the voltage on this pin exceeds the rising POR threshold and shuts down when the voltage on this pin drops below the falling POR threshold. Connect this pin directly to a +5V supply. Place a R/C filter right next to this pin for noise decoupling. The resistor and capacitor should be placed right next to the VCC pin to GND.

GND - Bias and reference ground for the IC. The exposed metal pad on the bottom of the package of the ISL6336, ISL6336A is GND.

EN_PWR - This pin is a threshold-sensitive enable input for the controller. Connecting the 12V supply to EN_PWR through an appropriate resistor divider provides a means to synchronize power-up of the controller and the MOSFET driver ICs. When EN_PWR is driven above 0.875V, the ISL6336, ISL6336A is active depending on status of the EN_VTT, the internal POR, and pending fault states. Driving EN_PWR below 0.745V will clear all fault states and prime the ISL6336, ISL6336A to soft-start when re-enabled.

EN_VTT - This pin is another threshold-sensitive enable input for the controller. It's typically connected to VTT output of VTT voltage regulator in the computer mother board. When EN_VTT is driven above 0.875V, the ISL6336, ISL6336A is active depending on status of ENLL, the internal POR, and pending fault states. Driving EN_VTT below 0.745V will clear all fault states and prime the ISL6336, ISL6336A to soft-start when re-enabled.

FS - Use this pin to set up the desired switching frequency. A resistor, placed from FS to GND or VCC will set the switching frequency. The relationship between the value of the resistor and the switching frequency is shown in Equation 3. This pin is also used in combination with SS and PSI# to determine phase dropping operation. See Table 1.

SS - Use this pin to set up the desired start-up oscillator frequency. A resistor, placed from SS to GND or VCC will set up the soft-start ramp rate. The relationship between the value of the resistor and the soft-start ramp up time is described in Equations 15 and 16. This pin is also used with FS and PSI# pins to determine phase dropping operation. See Table 1.

VID[7:0] - These are the inputs to the internal DAC that generates the reference voltage for output regulation. The pins have a minimum 30 μ A pull-up to about 1V after t_{D3} . There is no internal pull-up before t_{D3} . Connect these pins to open-drain outputs with external pull-up resistors or to active pull-up outputs. The VID pins can be pulled as high as VCC plus 0.3V.

VDIFF, VSEN, and RGND - VSEN and RGND form the precision differential remote-sense amplifier. This amplifier converts the differential voltage of the remote output to a single-ended voltage referenced to local ground. VDIFF is the

amplifier's output and the input to the regulation and protection circuitry. Connect VSEN and RGND to the sense pins of the remote load. VDIFF is connected to FB through a resistor.

FB and COMP - The inverting input and the output of the error amplifier respectively. FB can be connected to VDIFF through a resistor. A properly chosen resistor between VDIFF and FB can set the load line (droop). The droop scale factor is set by the ratio of the ISEN resistors and the inductor DCR or the dedicated current sense resistor. COMP is tied back to FB through an external R-C network to compensate the regulator.

DAC and REF - The DAC pin is the output of the precision internal DAC reference. The REF pin is the positive input of the Error Amplifier. In typical applications, a 1k Ω , 1% resistor is used between DAC and REF to generate a precision offset voltage. This voltage is proportional to the offset current determined by the offset resistor from OFS to ground or VCC. A capacitor is used between REF and ground to smooth the voltage transition during Dynamic VID™ operations.

PWM[6:1] - Pulse width modulation outputs. Connect these pins to the PWM input pins of the Intersil driver IC. The number of active channels is determined by the state of PWM3, PWM4, PWM5, and PWM6. Tie PWM3 to VCC to configure for 2-phase operation. Tie PWM4 to VCC to configure for 3-phase operation. Tie PWM5 to VCC to configure for 4-phase operation. Tie PWM6 to VCC to configure for 5-phase operation. PWM firing order is sequential from 1 to n with n being the number of active phases.

ISEN[6:1]+, ISEN[6:1]- - The ISEN+ and ISEN- pins are current sense inputs to individual differential amplifiers. The sensed current is used for channel current balancing, overcurrent protection, and droop regulation. Inactive channels should have their respective current sense inputs left open (for example, open ISEN6+ and ISEN6- for 5-phase operation).

For DCR sensing, connect each ISEN- pin to the node between the RC sense elements. Tie the ISEN+ pin to the other end of the sense capacitor through a resistor, R_{ISEN} . The voltage across the sense capacitor is proportional to the inductor current. Therefore, the sense current is proportional to the inductor current, and scaled by the DCR of the inductor and R_{ISEN} .

To match the time delay of the internal circuit, a capacitor is needed between each ISEN+ pin and GND as described in "Current Sensing" on page 14.

VR_RDY - VR_RDY indicates that the soft-start is completed and the output voltage is within the regulated range around VID setting. It is an open-drain logic output. When OCP or OVP occurs, VR_RDY will be pulled to low. It will also be pulled low if the output voltage is below the undervoltage threshold.

OFS - The OFS pin provides a means to program a DC offset current for generating a DC offset voltage at the REF input. The offset current is generated via an external resistor and precision internal voltage references. The polarity of the offset is selected by connecting the resistor to GND or VCC. For no offset, the OFS pin should be left unterminated.

TCOMP - Temperature compensation scaling input. The voltage sensed on the TM pin is utilized as the temperature input to adjust I_{DROOP} and the overcurrent protection limit to effectively compensate for the temperature coefficient of the current sense element. To implement the integrated temperature compensation, a resistor divider circuit is needed with one resistor being connected from TCOMP to VCC of the controller and another resistor being connected from TCOMP to GND. Changing the ratio of the resistor values will set the gain of the integrated thermal compensation. When integrated temperature compensation function is not used, connect TCOMP to GND.

OVP - The overvoltage protection output indication pin. This pin can be pulled to VCC and is latched when an overvoltage condition is detected. When the OVP indication is not used, keep this pin open.

IMON - IMON is a current output of the average of the sum of each phase's sensed current. A resistor connected from IMON to GND will produce a voltage that is proportional to the regulator current. The voltage at this pin is internally clamped to 1.12V. If the voltage reaches 1.12V the clamp is activated an overcurrent shutdown will be initiated.

Place a resistor from this pin to GND. A capacitor in parallel with this resistor is required. The capacitor should be sized for a minimum time constant of 300 μ s.

TM - TM is an input pin for VR temperature measurement. Connect this pin through NTC thermistor to GND and a resistor to VCC of the controller. The voltage at this pin is reverse proportional to the VR temperature. ISL6336, ISL6336A monitors the VR temperature based on the voltage at the TM pin and the output signals at VR_HOT and VR_FAN.

VR_HOT - VR_HOT is used as an indication of high VR temperature. It is an open-drain logic output. It will be open when the measured VR temperature reaches a certain level.

VR_FAN - VR_FAN is an output pin with open-drain logic output. It will be open when the measured VR temperature reaches a certain level.

PSI# - The PSI# pin is used to change the state of the controller. When PSI# is asserted the controller will change the operating state to improve light load efficiency. The controller drops the number of active phases to 1-phase or 2-phase operation with diode emulation according to the logic shown in Table 1. The FS and SS pins are used to optimize light load efficiency for non-coupled inductor, 2-phase coupled inductor, and (n-x)-phase coupled inductor applications. The

controller resumes normal operation when this pin is pulled HIGH. This pin has a 40 μ A internal pull-up to about 1V.

APA - The APA pin is used to adjust the Adaptive Phase Alignment trip level. A 50 μ A current source flows into this pin. A resistor connected from this pin to COMP sets the voltage trip level. A small decoupling capacitor should be placed in parallel with the resistor for high frequency decoupling.

Operation

Multiphase Power Conversion

Microprocessor load current profiles have changed to the point that the advantages of multiphase power conversion are impossible to ignore. The technical challenges associated with producing a single-phase converter which is both cost-effective and thermally viable, have forced a change to the cost-saving approach of multiphase. The ISL6336, ISL6336A controller helps reduce the complexity of implementation by integrating vital functions and requiring minimal output components. The block diagrams on page 5 and 6 provide top level views of multiphase power conversion using the ISL6336, ISL6336A controller.

Interleaving

The switching of each channel in a multiphase converter is timed to be symmetrically out of phase with each of the other channels. In a 3-phase converter for example, each channel switches 1/3 cycle after the previous channel and 1/3 cycle before the following channel. As a result, the three-phase converter has a combined ripple frequency 3x greater than the ripple frequency of any one phase. In addition, the peak-to-peak amplitude of the combined inductor current is reduced in proportion to the number of phases (see Equations 1 and 2). The increased ripple frequency and the lower ripple amplitude mean that the designer can use less per-channel inductance and lower total output capacitance for any performance specification.

Figure 1 illustrates the multiplicative effect on output ripple frequency. The three channel currents (IL1, IL2, and IL3) combine to form the AC ripple current and the DC load current. The ripple component has 3x the ripple frequency of each individual channel current. Each PWM pulse is triggered 1/3 of a cycle after the start of the PWM pulse of the previous phase. The DC components of the inductor currents combine to feed the load.

To understand the reduction of the ripple current amplitude in the multiphase circuit, examine Equation 1, which represents an individual channel's peak-to-peak inductor current.

$$I_{PP} = \frac{(V_{IN} - V_{OUT}) \cdot V_{OUT}}{L \cdot f_S \cdot V_{IN}} \quad (\text{EQ. 1})$$

In Equation 1, V_{IN} and V_{OUT} are the input and the output voltages respectively, L is the single-channel inductor value, and f_S is the switching frequency.

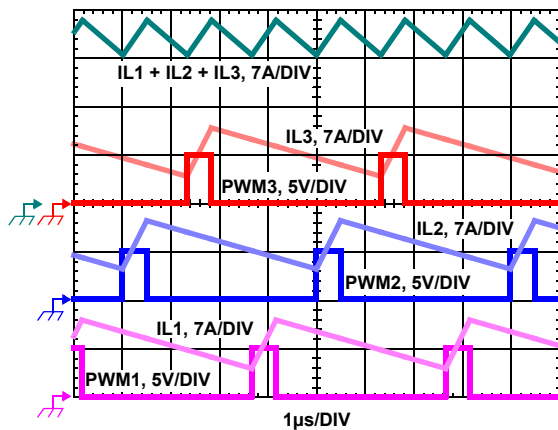


FIGURE 1. PWM AND INDUCTOR-CURRENT WAVEFORMS FOR 3-PHASE CONVERTER

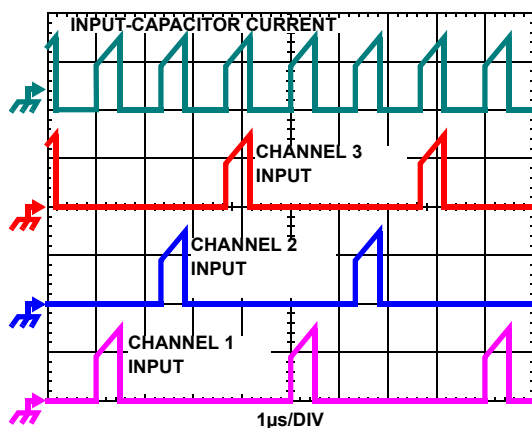


FIGURE 2. CHANNEL INPUT CURRENTS AND INPUT CAPACITOR RMS CURRENT FOR 3-PHASE CONVERTER

The output capacitors conduct the ripple component of the inductor current. In the case of multiphase converters, the capacitor current is the sum of the ripple currents from each of the individual channels. Compare Equation 1 to the expression for the peak-to-peak current after the summation of N symmetrically phase-shifted inductor currents in Equation 2. Peak-to-peak ripple current decreases by an amount proportional to the number of channels. Output-voltage ripple is a function of capacitance, capacitor equivalent series resistance (ESR), and inductor ripple current. Reducing the inductor ripple current allows the designer to use fewer or less costly output capacitors.

$$I_{C, PP} = \frac{(V_{IN} - (N \cdot V_{OUT})) \cdot V_{OUT}}{L \cdot f_S \cdot V_{IN}} \quad (\text{EQ. 2})$$

Another benefit of interleaving is to reduce the input ripple current. The input capacitance is determined in part by the maximum input ripple current. Multiphase topologies can improve the overall system cost and size by lowering the input ripple current and allowing the designer to reduce the cost of input capacitance. The example in Figure 2 illustrates the input currents from a three-phase converter combining to reduce the total input ripple current.

The converter depicted in Figure 2 delivers 36A to a 1.5V load from a 12V input. The RMS input capacitor current is 5.9A. Compare this to a single-phase converter also stepping down 12V to 1.5V at 36A. The single-phase converter has $11.9A_{RMS}$ input capacitor current. The single-phase converter must use an input capacitor bank with twice the RMS current capacity as the equivalent three-phase converter.

Figures 21, 22 and 23 in the section entitled “Input Capacitor Selection” on page 29 can be used to determine the input capacitor RMS current based on the load current, the duty cycle, and the number of channels. They are provided as aids in determining the optimal input capacitor solution. Figure 24 shows the single phase input-capacitor RMS current for comparison.

PWM Modulation Scheme

The ISL6336, ISL6336A adopts Intersil's proprietary Active Pulse Positioning (APP) modulation scheme to improve the transient performance. APP control is a unique dual-edge PWM modulation scheme with both PWM leading and trailing edges being independently moved to provide the best response to the transient loads. The PWM frequency, however, is constant and set by the external resistor between the FS pin and GND.

To further improve the transient response, the ISL6336, ISL6336A also implements Intersil's proprietary Adaptive Phase Alignment (APA) technique. The APA, with sufficiently large load step currents, can turn on all phases simultaneously.

With both APP and APA control, ISL6336, ISL6336A can achieve excellent transient performance and reduce the demand on the output capacitors.

Under steady state conditions the operation of the ISL6336, ISL6336A PWM modulator appears to be that of a conventional trailing edge modulator. Conventional analysis and design methods can therefore be used for steady state and small signal operation.

PWM and PSI# Operation

The timing of each converter is set by the number of active channels. The default channel setting for the ISL6336, ISL6336A is six. The switching cycle is defined as the time between PWM pulse termination signals of each channel. The cycle time of the pulse termination signal is the inverse of the switching frequency set by the resistor between the FS pin and ground. The PWM signals command the MOSFET drivers to turn on/off the channel MOSFETs.

In the default 6-phase operation, the PWM2 pulse happens 1/6 of a cycle after PWM1, the PWM3 pulse happens 1/6 of a cycle after PWM2, etc.

The ISL6336, ISL6336A works in a 1- to 6-phase configuration. Connecting the PWM6 pin to VCC selects 5-phase operation and the pulse times are spaced in 1/5 cycle increments.

Connecting the PWM5 pin to VCC selects 4-phase operation and the pulse times are spaced in 1/4 cycle increments, etc.

When PSI# is pulled LOW, indicating low power operation of the processor, the controller reduces the number of active phases and operates 1- or 2-phases to improve efficiency based on the logic in Table 2. Table 1 shows which phases will be active when PSI# = 0 based on the phase count of the application. For example, If operating in a 6-phase configuration, phase 1 will be active if dropping to 1-phase and phases 1 and 4 will be active if dropping to 2-phases.

TABLE 1. NUMBER OF ACTIVE PHASES AND PWM FIRING SEQUENCE

PHASE COUNT	PHASE SEQUENCE NORMAL OPERATION	PWM/VCC	ACTIVE PHASES PSI# = 0
6-Phase	1 - 2 - 3 - 4 - 5 - 6	-	Phase 1/4
5-Phase	1 - 2 - 3 - 4 - 5	PWM6 = VCC	Phase 1/3
4-Phase	1 - 2 - 3 - 4	PWM5:6 = VCC	Phase 1/3
3-Phase	1 - 2 - 3	PWM4:6 = VCC	Phase 1/2
2-Phase	1 - 2	PWM3:6 = VCC	Phase 1/2
1-Phase	1	PWM2:6 = VCC	-

TABLE 2. PHASE DROPPING BEHAVIOR

CONFIGURATION	PSI#	FS RESISTOR	SS RESISTOR
Non-CI or (N - 1) - CI Drops to 1-Phase	0	GND	GND
Non-CI or (N - 2) - CI Drops to 2-Phase	0	GND	VCC
2-Phase CI Drops to 1-Phase	0	VCC	GND
2-Phase CI Drops to 2-Phase	0	VCC	VCC
Normal	1	x	x

The SS and FS pins are used to program the controllers PWM behavior in configurations using standard inductors, 2-phase coupled inductors or (N - 1)/(N - 2)-phase coupled inductors when PSI# goes LOW. 2-phase coupled inductors refer to inductor structures that magnetically couple 2-phases together. (N - 1) and (N - 2) coupled inductors refer to structures that couple all phases together except for the 1- or 2-phases that remain active in PSI# mode. N refers to the programmed number of active phases in normal operation, PSI# = 1 (Table 1). Each case yields different PWM output behavior on both the dropped phase(s) and active phases as PSI# is asserted and de-asserted. In Table 2, 'VCC' means that the resistor is connected from the respective pin to VCC and 'GND' means the resistor is connected from the respective pin to GND.

When PSI# goes LOW, the dropped phase's PWM signal is forced LOW for a minimum time and then is driven to 1/2*VCC while the remaining active phase PWM(s) sends out a repetitive 3-level PWM pattern that the dedicated

VR11.1 drivers (ISL6622/ISL6620) can decode and then enter diode emulation mode.

The ISL6336A only generates the standard 2-level PWM signal except in FAULT conditions. The dedicated VR11.1 drivers do not need to be used with the ISL6336A. See "Controller and Driver Recommendations" on page 3 for more details.

During soft-start or overcurrent hiccup mode all phases will be operating despite the state of the PSI# pin. Once VR_RDY is asserted the state of the PSI# pin is considered.

A high PSI# input signal will force the controller back into CCM normal operation and all phases will be activated to sustain a heavy load transient and to increase efficiency at higher loads.

While the controller is operational (VCC above POR, EN_VTT and EN_PWR are both high, valid VID inputs), it can pull the PWM pins to ~40% of VCC (~2V for 5V VCC bias) during various stages, such as soft-start delay, phase shedding operation, or fault conditions (OC or OV events). The matching driver's internal PWM resistor divider can further raise the PWM potential, but not lower it below the level set by the controller IC. Therefore, the controller's PWM outputs are directly compatible with Intersil drivers that require 5V PWM signal amplitudes. Drivers requiring 3.3V PWM signal amplitudes are generally incompatible.

Switching Frequency

The switching frequency is determined by the selection of the frequency-setting resistor, RT, which is connected from FS pin to GND or VCC (see "Typical Application - 5-Phase Buck Converter with DCR Sensing and Integrated TCOMP" on page 5 and "Typical Application - 4-Phase Buck Converter with coupled inductors" on page 6). Equation 3 is provided to assist in selecting the correct resistor value.

$$R_T = \frac{2.5 \times 10^{10}}{F_{SW}} \tag{EQ. 3}$$

where F_{SW} is the switching frequency of each phase. Equation 3 also applies for connecting FS to VCC or GND. Figure 3 shows the relationship between RT and F_{SW}, according to Equation 3.

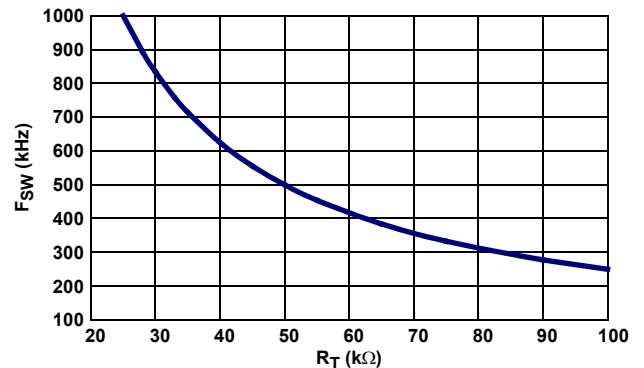


FIGURE 3. SWITCHING FREQUENCY vs RT

Current Sensing

The ISL6336, ISL6336A senses current continuously for fast response. The ISL6336, ISL6336A supports inductor DCR sensing, or resistor sensing techniques. The associated channel current sense amplifier uses the ISEN inputs to reproduce a signal proportional to the inductor current, I_L . The sensed current, I_{SEN} , is used for current balance, load-line regulation, and the overcurrent protection.

The internal circuitry, shown in Figures 3 and 4, represents one channel of an N-channel converter. This circuitry is repeated for each channel in the converter, but may not be active depending on the status of the PWM2, PWM3, PWM4, PWM5, PWM6 pins, "PWM and PSI# Operation" on page 12.

The input bias current of the current sensing amplifier is typically 60nA; less than 5kΩ input impedance is preferred to minimize the offset error.

INDUCTOR DCR SENSING

An inductor's winding is characteristic of a distributed resistance as measured by the DCR (Direct Current Resistance) parameter. Consider the inductor DCR as a separate lumped quantity, as shown in Figure 4. The channel current I_L , flowing through the inductor, will also pass through the DCR. Equation 4 shows the S-domain equivalent voltage across the inductor V_L .

$$V_L = I_L \cdot (s \cdot L + DCR) \tag{EQ. 4}$$

A simple R-C network across the inductor extracts the DCR voltage, as shown in Figure 4.

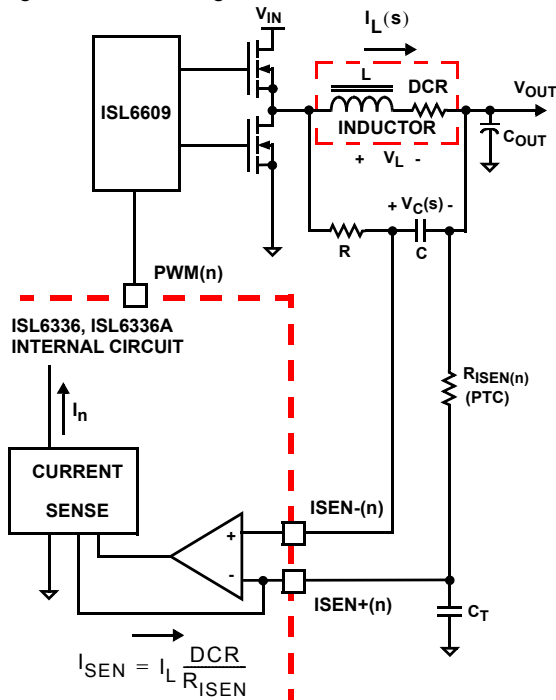


FIGURE 4. DCR SENSING CONFIGURATION

The voltage on the capacitor V_C , can be shown to be proportional to the channel current I_L ; see Equation 5.

$$V_C = \frac{\left(s \cdot \frac{L}{DCR} + 1\right) \cdot (DCR \cdot I_L)}{(s \cdot RC + 1)} \tag{EQ. 5}$$

If the R-C network components are selected such that the RC time constant ($= R \cdot C$) matches the inductor time constant ($= L/DCR$), the voltage across the capacitor V_C is equal to the voltage drop across the DCR, i.e., proportional to the channel current.

With the internal low-offset current amplifier, the capacitor voltage V_C is replicated across the sense resistor R_{ISEN} . Therefore the current out of ISEN+ pin, I_{SEN} , is proportional to the inductor current.

Because of the internal filter at the ISEN- pin, a capacitor, C_T , is needed to match the time delay between the ISEN- and ISEN+ signals. Select the proper C_T to keep the time constant of R_{ISEN} and C_T ($R_{ISEN} \times C_T$) close to 27ns.

Equation 6 shows that the ratio of the channel current to the sensed current I_{SEN} is driven by the value of the sense resistor and the DCR of the inductor.

$$I_{SEN} = I_L \cdot \frac{DCR}{R_{ISEN}} \tag{EQ. 6}$$

RESISTIVE SENSING

For accurate current sense, a dedicated current-sense resistor R_{SENSE} in series with each output inductor can serve as the current sense element (see Figure 5). This technique is more accurate, but reduces overall converter efficiency due to the additional power loss on the current sense element R_{SENSE} .

The same capacitor C_T is needed to match the time delay between ISEN- and ISEN+ signals. Select the proper C_T to keep the time constant of R_{ISEN} and C_T ($R_{ISEN} \times C_T$) close to 27ns.

Equation 7 shows the ratio of the channel current to the sensed current I_{SEN} .

$$I_{SEN} = I_L \cdot \frac{R_{SENSE}}{R_{ISEN}} \tag{EQ. 7}$$

The inductor DCR value will increase as the temperature increases. Therefore the sensed current will increase as the temperature of the current sense element increases. In order to compensate the temperature effect on the sensed current signal, a Positive Temperature Coefficient (PTC) resistor can be selected for the sense resistor R_{ISEN} , or the integrated temperature compensation function of ISL6336, ISL6336A should be utilized instead. The integrated temperature compensation function is described in "External Temperature Compensation" on page 24.

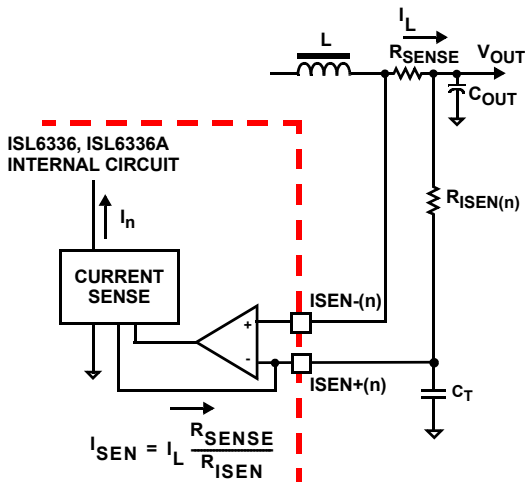


FIGURE 5. SENSE RESISTOR IN SERIES WITH INDUCTORS

Channel-Current Balance

The sensed current I_n from each active channel are summed together and divided by the number of active channels. The resulting average current I_{AVG} provides a measure of the total load current. Channel current balance is achieved by comparing the sensed current of each channel to the average current to make an appropriate adjustment to the PWM duty cycle of each channel with Intersil’s patented current-balance method.

Channel current balance is essential in achieving the thermal advantage of multiphase operation. With good current balance, the power loss is equally dissipated over multiple devices and a greater area.

Voltage Regulation

The compensation network shown in Figure 6 assures that the steady-state error in the output voltage is limited only to the error in the reference voltage (output of the DAC) and offset errors in the OFS current source, remote-sense and error amplifiers. Intersil specifies the guaranteed tolerance of the ISL6336, ISL6336A to include the combined tolerances of each of these elements.

The output of the error amplifier, V_{COMP} , is compared to the sawtooth waveforms to generate the PWM signals. The PWM signals control the timing of the Intersil MOSFET drivers and regulate the converter output to the specified reference voltage. The internal and external circuitries which control the voltage regulation are illustrated in Figure 6.

The ISL6336, ISL6336A incorporates an internal differential remote-sense amplifier in the feedback path. The amplifier removes the voltage error encountered when measuring the output voltage relative to the local controller ground reference point resulting in a more accurate means of sensing output voltage. Connect the microprocessor sense pins to the non-inverting input, V_{SEN} , and inverting input, $RGND$, of the remote-sense amplifier. The remote-sense

output, V_{DIFF} , is connected to the inverting input of the error amplifier through an external resistor.

A digital-to-analog converter (DAC) generates a reference voltage based on the state of logic signals at pins VID7 through VID0. The DAC decodes the 8-bit logic signal (VID) into one of the discrete voltages shown in Table 3. Each VID input has an internal 30µA minimum pull-up to VCC after t_{D3} . The pull-up current diminishes to zero above the logic threshold (near 1V) to protect voltage-sensitive output devices. External pull-up resistors can augment the pull-up current sources in case the leakage into the driving device is greater than 30µA.

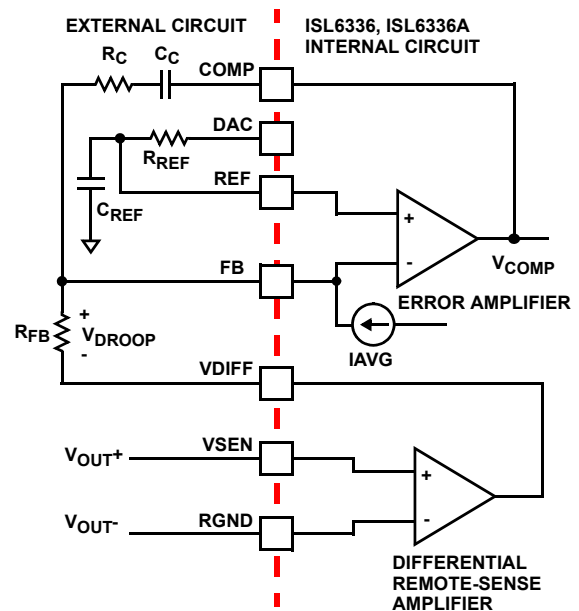


FIGURE 6. OUTPUT VOLTAGE AND LOAD-LINE REGULATION WITH OFFSET ADJUSTMENT

TABLE 3. VR11 VID 8-BIT

VID7	VID6	VID5	VID4	VID3	VID2	VID1	VID0	VOLTAGE
0	0	0	0	0	0	0	0	OFF
0	0	0	0	0	0	0	1	OFF
0	0	0	0	0	0	1	0	1.60000
0	0	0	0	0	0	1	1	1.59375
0	0	0	0	0	1	0	0	1.58750
0	0	0	0	0	1	0	1	1.58125
0	0	0	0	0	1	1	0	1.57500
0	0	0	0	0	1	1	1	1.56875
0	0	0	0	1	0	0	0	1.56250
0	0	0	0	1	0	0	1	1.55625
0	0	0	0	1	0	1	0	1.55000
0	0	0	0	1	0	1	1	1.54375
0	0	0	0	1	1	0	0	1.53750

TABLE 3. VR11 VID 8-BIT (Continued)

VID7	VID6	VID5	VID4	VID3	VID2	VID1	VID0	VOLTAGE
0	0	0	0	1	1	0	1	1.53125
0	0	0	0	1	1	1	0	1.52500
0	0	0	0	1	1	1	1	1.51875
0	0	0	1	0	0	0	0	1.51250
0	0	0	1	0	0	0	1	1.50625
0	0	0	1	0	0	1	0	1.50000
0	0	0	1	0	0	1	1	1.49375
0	0	0	1	0	1	0	0	1.48750
0	0	0	1	0	1	0	1	1.48125
0	0	0	1	0	1	1	0	1.47500
0	0	0	1	0	1	1	1	1.46875
0	0	0	1	1	0	0	0	1.46250
0	0	0	1	1	0	0	1	1.45625
0	0	0	1	1	0	1	0	1.45000
0	0	0	1	1	0	1	1	1.44375
0	0	0	1	1	1	0	0	1.43750
0	0	0	1	1	1	0	1	1.43125
0	0	0	1	1	1	1	0	1.42500
0	0	0	1	1	1	1	1	1.41875
0	0	1	0	0	0	0	0	1.41250
0	0	1	0	0	0	0	1	1.40625
0	0	1	0	0	0	1	0	1.40000
0	0	1	0	0	0	1	1	1.39375
0	0	1	0	0	1	0	0	1.38750
0	0	1	0	0	1	0	1	1.38125
0	0	1	0	0	1	1	0	1.37500
0	0	1	0	0	1	1	1	1.36875
0	0	1	0	1	0	0	0	1.36250
0	0	1	0	1	0	0	1	1.35625
0	0	1	0	1	0	1	0	1.35000
0	0	1	0	1	0	1	1	1.34375
0	0	1	0	1	1	0	0	1.33750
0	0	1	0	1	1	0	1	1.33125
0	0	1	0	1	1	1	0	1.32500
0	0	1	0	1	1	1	1	1.31875
0	0	1	1	0	0	0	0	1.31250
0	0	1	1	0	0	0	1	1.30625
0	0	1	1	0	0	1	0	1.30000
0	0	1	1	0	0	1	1	1.29375
0	0	1	1	0	1	0	0	1.28750

TABLE 3. VR11 VID 8-BIT (Continued)

VID7	VID6	VID5	VID4	VID3	VID2	VID1	VID0	VOLTAGE
0	0	1	1	0	1	0	1	1.28125
0	0	1	1	0	1	1	0	1.27500
0	0	1	1	0	1	1	1	1.26875
0	0	1	1	1	0	0	0	1.26250
0	0	1	1	1	0	0	1	1.25625
0	0	1	1	1	0	1	0	1.25000
0	0	1	1	1	0	1	1	1.24375
0	0	1	1	1	1	0	0	1.23750
0	0	1	1	1	1	0	1	1.23125
0	0	1	1	1	1	1	0	1.22500
0	0	1	1	1	1	1	1	1.21875
0	1	0	0	0	0	0	0	1.21250
0	1	0	0	0	0	0	1	1.20625
0	1	0	0	0	0	1	0	1.20000
0	1	0	0	0	0	1	1	1.19375
0	1	0	0	0	1	0	0	1.18750
0	1	0	0	0	1	0	1	1.18125
0	1	0	0	0	1	1	0	1.17500
0	1	0	0	0	1	1	1	1.16875
0	1	0	0	1	0	0	0	1.16250
0	1	0	0	1	0	0	1	1.15625
0	1	0	0	1	0	1	0	1.15000
0	1	0	0	1	0	1	1	1.14375
0	1	0	0	1	1	0	0	1.13750
0	1	0	0	1	1	0	1	1.13125
0	1	0	0	1	1	1	0	1.12500
0	1	0	0	1	1	1	1	1.11875
0	1	0	1	0	0	0	0	1.11250
0	1	0	1	0	0	0	1	1.10625
0	1	0	1	0	0	1	0	1.10000
0	1	0	1	0	0	1	1	1.09375
0	1	0	1	0	1	0	0	1.08750
0	1	0	1	0	1	0	1	1.08125
0	1	0	1	0	1	1	0	1.07500
0	1	0	1	0	1	1	1	1.06875
0	1	0	1	1	0	0	0	1.06250
0	1	0	1	1	0	0	1	1.05625
0	1	0	1	1	0	1	0	1.05000
0	1	0	1	1	0	1	1	1.04375
0	1	0	1	1	1	0	0	1.03750

TABLE 3. VR11 VID 8-BIT (Continued)

VID7	VID6	VID5	VID4	VID3	VID2	VID1	VID0	VOLTAGE
0	1	0	1	1	1	0	1	1.03125
0	1	0	1	1	1	1	0	1.02500
0	1	0	1	1	1	1	1	1.01875
0	1	1	0	0	0	0	0	1.01250
0	1	1	0	0	0	0	1	1.00625
0	1	1	0	0	0	1	0	1.00000
0	1	1	0	0	0	1	1	0.99375
0	1	1	0	0	1	0	0	0.98750
0	1	1	0	0	1	0	1	0.98125
0	1	1	0	0	1	1	0	0.97500
0	1	1	0	0	1	1	1	0.96875
0	1	1	0	1	0	0	0	0.96250
0	1	1	0	1	0	0	1	0.95625
0	1	1	0	1	0	1	0	0.95000
0	1	1	0	1	0	1	1	0.94375
0	1	1	0	1	1	0	0	0.93750
0	1	1	0	1	1	0	1	0.93125
0	1	1	0	1	1	1	0	0.92500
0	1	1	0	1	1	1	1	0.91875
0	1	1	1	0	0	0	0	0.91250
0	1	1	1	0	0	0	1	0.90625
0	1	1	1	0	0	1	0	0.90000
0	1	1	1	0	0	1	1	0.89375
0	1	1	1	0	1	0	0	0.88750
0	1	1	1	0	1	0	1	0.88125
0	1	1	1	0	1	1	0	0.87500
0	1	1	1	0	1	1	1	0.86875
0	1	1	1	1	0	0	0	0.86250
0	1	1	1	1	0	0	1	0.85625
0	1	1	1	1	0	1	0	0.85000
0	1	1	1	1	0	1	1	0.84375
0	1	1	1	1	1	0	0	0.83750
0	1	1	1	1	1	0	1	0.83125
0	1	1	1	1	1	1	0	0.82500
0	1	1	1	1	1	1	1	0.81875
1	0	0	0	0	0	0	0	0.81250
1	0	0	0	0	0	0	1	0.80625
1	0	0	0	0	0	1	0	0.80000
1	0	0	0	0	0	1	1	0.79375
1	0	0	0	0	1	0	0	0.78750

TABLE 3. VR11 VID 8-BIT (Continued)

VID7	VID6	VID5	VID4	VID3	VID2	VID1	VID0	VOLTAGE
1	0	0	0	0	1	0	1	0.78125
1	0	0	0	0	1	1	0	0.77500
1	0	0	0	0	1	1	1	0.76875
1	0	0	0	1	0	0	0	0.76250
1	0	0	0	1	0	0	1	0.75625
1	0	0	0	1	0	1	0	0.75000
1	0	0	0	1	0	1	1	0.74375
1	0	0	0	1	1	0	0	0.73750
1	0	0	0	1	1	0	1	0.73125
1	0	0	0	1	1	1	0	0.72500
1	0	0	0	1	1	1	1	0.71875
1	0	0	1	0	0	0	0	0.71250
1	0	0	1	0	0	0	1	0.70625
1	0	0	1	0	0	1	0	0.70000
1	0	0	1	0	0	1	1	0.69375
1	0	0	1	0	1	0	0	0.68750
1	0	0	1	0	1	0	1	0.68125
1	0	0	1	0	1	1	0	0.67500
1	0	0	1	0	1	1	1	0.66875
1	0	0	1	1	0	0	0	0.66250
1	0	0	1	1	0	0	1	0.65625
1	0	0	1	1	0	1	0	0.65000
1	0	0	1	1	0	1	1	0.64375
1	0	0	1	1	1	0	0	0.63750
1	0	0	1	1	1	0	1	0.63125
1	0	0	1	1	1	1	0	0.62500
1	0	0	1	1	1	1	1	0.61875
1	0	1	0	0	0	0	0	0.61250
1	0	1	0	0	0	0	1	0.60625
1	0	1	0	0	0	1	0	0.60000
1	0	1	0	0	0	1	1	0.59375
1	0	1	0	0	1	0	0	0.58750
1	0	1	0	0	1	0	1	0.58125
1	0	1	0	0	1	1	0	0.57500
1	0	1	0	1	0	0	0	0.56875
1	0	1	0	1	0	0	1	0.56250
1	0	1	0	1	0	1	0	0.55625
1	0	1	0	1	0	1	1	0.55000
1	0	1	0	1	0	1	1	0.54375
1	0	1	0	1	1	0	0	0.53750

TABLE 3. VR11 VID 8-BIT (Continued)

VID7	VID6	VID5	VID4	VID3	VID2	VID1	VID0	VOLTAGE
1	0	1	0	1	1	0	1	0.53125
1	0	1	0	1	1	1	0	0.52500
1	0	1	0	1	1	1	1	0.51875
1	0	1	1	0	0	0	0	0.51250
1	0	1	1	0	0	0	1	0.50625
1	0	1	1	0	0	1	0	0.50000
1	1	1	1	1	1	1	0	OFF
1	1	1	1	1	1	1	1	OFF

Load-Line Regulation

Some microprocessor manufacturers require a precisely controlled output resistance. This dependence of the output voltage on the load current is often termed “droop” or “load line” regulation. By adding a well controlled output impedance, the output voltage can effectively be level shifted in a direction which works to achieve the load-line regulation required by these manufacturers.

In other cases, the designer may determine that a more cost-effective solution can be achieved by adding droop. Droop can help to reduce the output-voltage spike that results from the fast changes of the load-current demand.

The magnitude of the spike is dictated by the ESR and ESL of the output capacitors selected. By positioning the no-load voltage level near the upper specification limit, a larger negative spike can be sustained without crossing the lower limit. By adding a well controlled output impedance, the output voltage under load can effectively be level shifted down so that a larger positive spike can be sustained without crossing the upper specification limit.

As shown in Figure 6, a current proportional to the average current of all active channels, I_{AVG} , flows from FB through a load-line regulation resistor R_{FB} . The resulting voltage drop across R_{FB} is proportional to the output current, effectively creating an output voltage droop with a steady-state value defined in Equation 8.

$$V_{DROOP} = I_{AVG} \cdot R_{FB} \quad (\text{EQ. 8})$$

The regulated output voltage is reduced by the droop voltage V_{DROOP} . The output voltage as a function of load current is derived by combining Equation 8 with the appropriate sample current expression defined by the current sense method employed.

$$V_{OUT} = V_{REF} - V_{OFS} - \left(\frac{I_{OUT}}{N} \cdot \frac{R_X}{R_{ISEN}} \cdot R_{FB} \right) \quad (\text{EQ. 9})$$

Where V_{REF} is the reference voltage, V_{OFS} is the programmed offset voltage, I_{OUT} is the total output current of the converter, R_{ISEN} is the sense resistor connected to

the ISEN+ pin, and R_{FB} is the feedback resistor, N is the active channel number, and R_X is the DCR, or R_{SENSE} depending on the sensing method.

Therefore the equivalent loadline impedance, i.e. Droop impedance, is equal to Equation 10:

$$R_{LL} = \frac{R_{FB}}{N} \cdot \frac{R_X}{R_{ISEN}} \quad (\text{EQ. 10})$$

Output-Voltage Offset Programming

The ISL6336, ISL6336A allows the designer to accurately adjust the offset voltage. When resistor, R_{OFS} , is connected between OFS to VCC, the voltage across it is regulated to 1.6V. This causes a proportional current (I_{OFS}) to flow into OFS. If R_{OFS} is connected to ground, the voltage across it is regulated to 0.4V, and I_{OFS} flows out of OFS. A resistor between DAC and REF, R_{REF} , is selected so that the product ($I_{OFS} \times R_{OFS}$) is equal to the desired offset voltage. These functions are shown in Figure 7.

Once the desired output offset voltage has been determined, use Equations 11 and 12 to set R_{OFS} :

For Positive Offset (connect R_{OFS} to VCC):

$$R_{OFS} = \frac{1.6 \cdot R_{REF}}{V_{OFFSET}} \quad (\text{EQ. 11})$$

For Negative Offset (connect R_{OFS} to GND):

$$R_{OFS} = \frac{0.4 \cdot R_{REF}}{V_{OFFSET}} \quad (\text{EQ. 12})$$

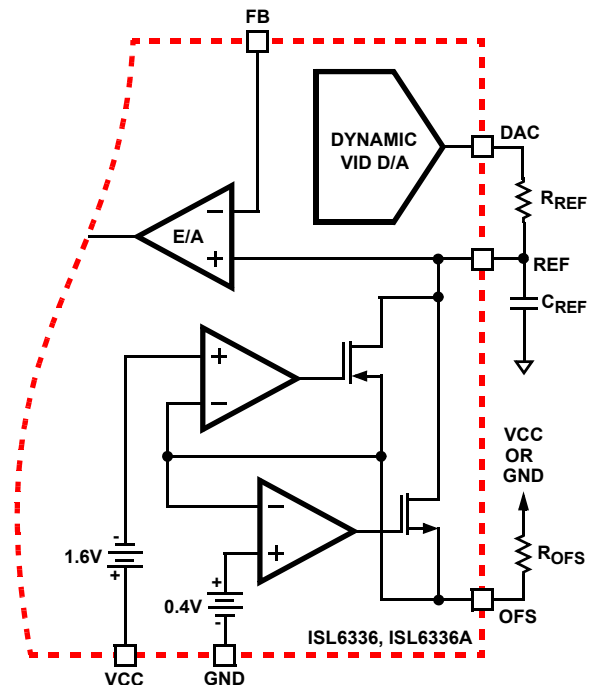


FIGURE 7. OUTPUT VOLTAGE OFFSET PROGRAMMING

Dynamic VID

Modern microprocessors need to make changes to their core voltage as part of the normal operation. They direct the core-voltage regulator to do this by making changes to the VID inputs during the regulator operation. The power management solution is required to monitor the DAC inputs and respond to on-the-fly VID changes in a controlled manner. Supervising the safe output voltage transition within the DAC range of the processor without discontinuity or disruption is a necessary function of the core-voltage regulator.

In order to ensure a smooth transition of output voltage during VID change, a VID step change smoothing network, composed of R_{REF} and C_{REF} , can be used. The selection of R_{REF} is based on the desired offset voltage as detailed above in “Output-Voltage Offset Programming” on page 18. The selection of C_{REF} is based on the time duration for 1-bit VID change and the allowable delay time.

Assuming the microprocessor controls the VID change at 1-bit every t_{VID} , the relationship between the time constant of R_{REF} and C_{REF} network and t_{VID} is given by Equation 13.

$$C_{REF} \cdot R_{REF} = t_{VID} \quad (\text{EQ. 13})$$

During dynamic VID transition and VID up steps, the overcurrent trip point increases by 140% to avoid false triggering OCP circuits, while the overvoltage trip point is set to its maximum VID OVP trip level. If dynamic VID occurs when $PSI\#$ is asserted, the controller will activate all phases and complete the transition at which point the status of the $PSI\#$ pin will control operation.

Operation Initialization

Prior to converter initialization, proper conditions must exist on the enable inputs and VCC. When the conditions are met, the controller begins soft-start. Once the output voltage is within the proper window of operation, VR_RDY asserts logic high.

Enable and Disable

While in shutdown mode, the PWM outputs are held in a high-impedance state to assure the drivers remain off. The following input conditions must be met before the ISL6336, ISL6336A is released from shutdown mode.

1. The bias voltage applied at VCC must reach the internal power-on reset (POR) rising threshold. Once this threshold is reached, proper operation of all aspects of the ISL6336, ISL6336A is guaranteed. Hysteresis between the rising and falling thresholds assure that once enabled, the ISL6336, ISL6336A will not inadvertently turn off unless the bias voltage drops substantially (see “Electrical Specifications” table beginning on page 7).
2. The ISL6336, ISL6336A features an enable input (EN_PWR) for power sequencing between the controller bias voltage and another voltage rail. The enable

comparator holds the ISL6336, ISL6336A in shutdown until the voltage at EN_PWR rises above 0.875V. The enable comparator has about 130mV of hysteresis to prevent bounce. It is important that the driver ICs reach their POR level before the ISL6336, ISL6336A becomes enabled. The schematic in Figure 8 demonstrates sequencing the ISL6336, ISL6336A with the ISL66xx family of Intersil MOSFET drivers, which require 12V bias.

3. The voltage on EN_VTT must be higher than 0.875V to enable the controller. This pin is typically connected to the output of the VTT voltage regulator.

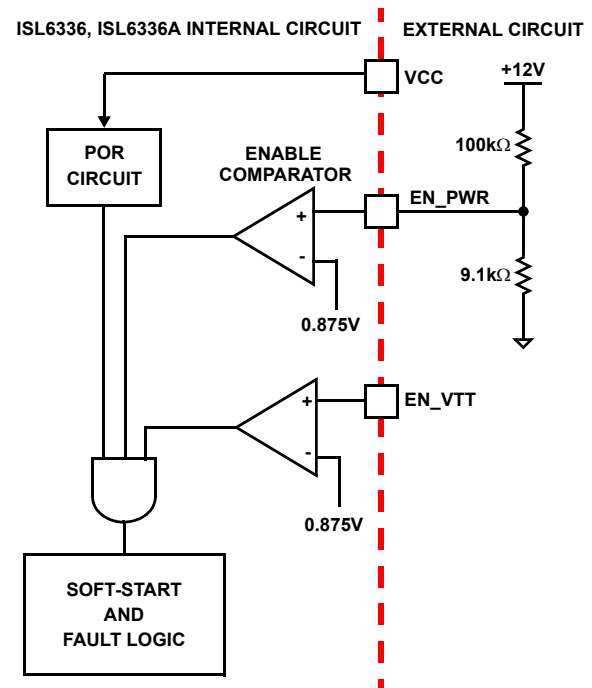


FIGURE 8. POWER SEQUENCING USING THRESHOLD SENSITIVE ENABLE (EN) FUNCTION

When all conditions above are satisfied, ISL6336, ISL6336A begins soft-start and ramps the output voltage to 1.1V first. After remaining at 1.1V for some time, ISL6336, ISL6336A reads the VID code at VID input pins. If the VID code is valid, ISL6336, ISL6336A will regulate the output to the final VID setting. If the VID code is an OFF code, ISL6336, ISL6336A will shut down, and cycling VCC, EN_PWR or EN_VTT is needed to restart.

Soft-Start

ISL6336, ISL6336A based VR has 4 periods during soft-start as shown in Figure 9. After VCC, EN_VTT and EN_PWR reach their POR/enable thresholds, The controller will have fixed delay period t_{D1} . After this delay period, the VR will begin first soft-start ramp until the output voltage reaches 1.1V V_{boot} voltage. Then, the controller will regulate the VR voltage at 1.1V for another fixed period t_{D3} . At the end of t_{D3} period, ISL6336, ISL6336A reads the VID signals. If the VID code is valid, ISL6336, ISL6336A will initiate the second

soft-start ramp until the voltage reaches the VID voltage minus the offset voltage.

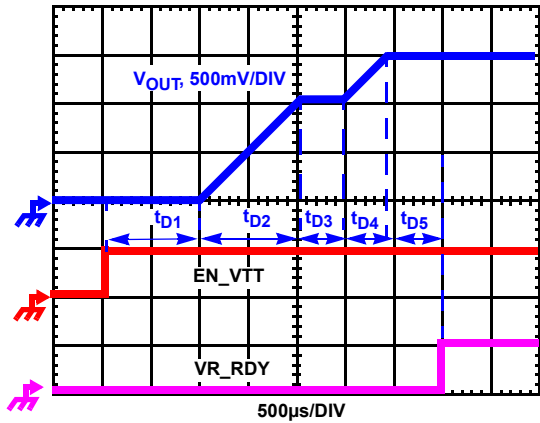


FIGURE 9. SOFT-START WAVEFORMS

The soft-start time is the sum of the 4 periods as shown in Equation 14:

$$t_{SS} = t_{D1} + t_{D2} + t_{D3} + t_{D4} \quad (\text{EQ. 14})$$

t_{D1} is a fixed delay with a typical value as 1.36ms. t_{D3} is determined by a fixed 85µs plus the time to obtain valid VID voltage. If the VID is valid before the output reaches the 1.1V, the minimum time to validate the VID input is 500ns. Therefore the minimum t_{D3} is about 86µs.

During t_{D2} and t_{D4} , ISL6336, ISL6336A digitally controls the DAC voltage change at 6.25mV per step. The time for each step is determined by the frequency of the soft-start oscillator, which is defined by a resistor R_{SS} from SS pin to GND or VCC. The equations are the same for the case where R_{SS} is connected to GND or VCC. The two soft-start ramp times t_{D2} and t_{D4} can be calculated based on the Equations 15 and 16:

$$t_{D2} = \frac{1.1 \cdot R_{SS}}{6.25 \cdot 25} (\mu\text{s}) \quad (\text{EQ. 15})$$

$$t_{D4} = \frac{((V_{VID} - 1.1) \cdot R_{SS})}{6.25 \cdot 25} (\mu\text{s}) \quad (\text{EQ. 16})$$

For example, when VID is set to 1.5V and the R_{SS} is set at 100kΩ, the first soft-start ramp time t_{D2} will be 704µs and the second soft-start ramp time t_{D4} will be 256µs.

After the DAC voltage reaches the final VID setting, VR_RDY will be set to high with the fixed delay t_{D5} . The typical value for t_{D5} is 85µs. Before VR_RDY is released, the controller disregards the PSI# input and always operates in normal CCM PWM mode.

Current Sense Output

The current sourced at the IMON pin is equal to the sensed average current inside the ISL6336, ISL6336A, I_{AVG} . In a typical application, a resistor is placed from the IMON pin to GND to generate a voltage which is proportional to the load current as shown in Equation 17:

$$V_{IMON} = \frac{R_{IMON}}{N} \cdot \frac{R_X}{R_{ISEN}} \cdot I_{OUT} \quad (\text{EQ. 17})$$

where V_{IMON} is the voltage at the IMON pin, R_{IMON} is the resistor between IMON and GND, I_{OUT} is the total output current of the converter, R_{ISEN} is the sense resistor connected to the ISEN+ pin, N is the active channel number and R_X is the DC resistance of the current sense element.

The resistor from the IMON pin to GND should be chosen to ensure that the voltage at the IMON pin is less than 1.12V under the maximum load current. The IMON pin voltage is clamped at a maximum of 1.12V. Once the 1.12V threshold is reached, an overcurrent shutdown will be initiated as described in “Overcurrent Protection” on page 21.

A small capacitor can be placed between the IMON pin and GND to reduce noise. In addition, some applications will require the V_{IMON} signal to be filtered with a minimum time constant. The filter capacitor can be chosen appropriately based on the R_{IMON} value to set the desired time constant.

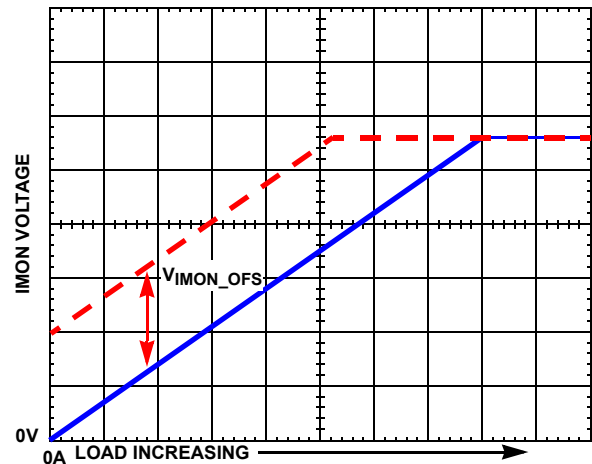


FIGURE 10. IMON VOLTAGE vs OUTPUT CURRENT

The voltage at the IMON pin will vary linearly with output current, as shown in Figure 10 with some tolerance. Some applications may require the addition of a positive offset on IMON to offset for the tolerance at the maximum IMON voltage value. This can be done by connecting a resistor from the IMON pin to VCC as shown in Figure 11. The required value for R_{VCC} can be determined by using Equation 18:

$$R_{VCC} = \frac{R_{IMON} \cdot (V_{CC} - V_{IMONOFFS} - V_{IMONMAX})}{V_{IMONOFFS}} \quad (\text{EQ. 18})$$

where R_{IMON} is the resistor from IMON to GND, $V_{IMONOFFS}$ is the desired offset voltage at $V_{IMONMAX}$, and $V_{IMONMAX}$ is the voltage at IMON at the maximum load current.

For example, if the maximum IMON voltage is 900mV at full load and the required offset voltage is 50mV and R_{IMON} is 10kΩ then R_{VCC} should be 810kΩ. R_{IMON} should be connected to GND near the load to increase accuracy.

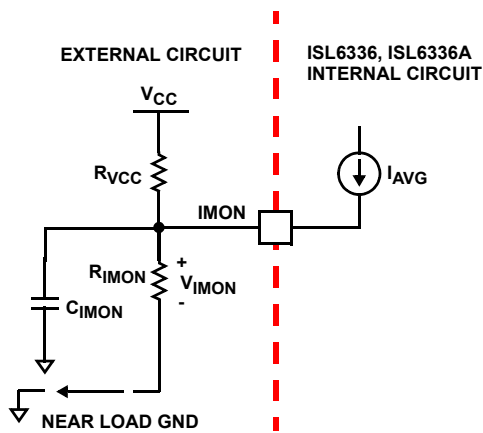


FIGURE 11. IMON RESISTOR DIVIDER

Fault Monitoring and Protection

The ISL6336, ISL6336A actively monitors output voltage and current to detect fault conditions. Fault monitors trigger protective measures to prevent damage to a microprocessor load. One common power good indicator is provided for linking to external system monitors. The schematic in Figure 12 outlines the interaction between the fault monitors and the VR_RDY signal.

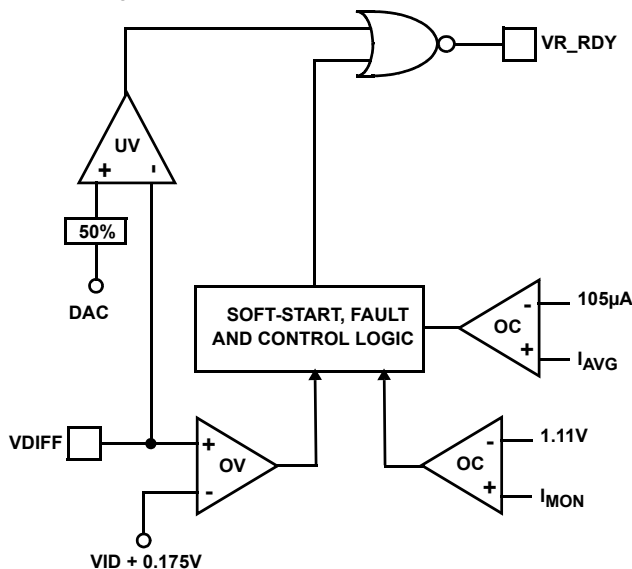


FIGURE 12. VR_RDY AND PROTECTION CIRCUITRY

VR_RDY Signal

The VR_RDY pin is an open-drain logic output to indicate that the soft-start period is completed and the output voltage is within the regulated range. VR_RDY is pulled low during shutdown and releases high after a successful soft-start and a fixed delay time, t_{D5} (see Figure 9). VR_RDY will be pulled low when an undervoltage, overvoltage, or overcurrent condition is detected, or if the controller is disabled by a reset from EN_PWR, EN_VTT, POR, or VID OFF-code.

Undervoltage Detection

The undervoltage threshold is set at 50% of the VID voltage. When the output voltage at VSEN is below the undervoltage threshold, VR_RDY gets pulled low. When the output voltage comes back to 60% of the VID voltage, VR_RDY will return back to high.

Overvoltage Protection

Regardless of the VR being enabled or not, the ISL6336, ISL6336A overvoltage protection (OVP) circuit will be active after its POR. The OVP thresholds are different under different operation conditions. When VR is not enabled and before the 2nd soft-start, the OVP threshold is 1.275V. Once the controller detects a valid VID input, the OVP trip point will be changed to the VID voltage plus 175mV.

Two actions are taken by the ISL6336, ISL6336A to protect the microprocessor load when an overvoltage condition occurs.

At the inception of an overvoltage event, all PWM outputs are commanded low instantly (in less than 20ns). This causes the Intersil drivers to turn on the lower MOSFETs and pull the output voltage down to avoid damaging the load. When the voltage at VDIFF falls below the DAC plus 75mV, PWM signals enter a high-impedance state. The Intersil drivers respond to the high-impedance input by turning off both upper and lower MOSFETs. If the overvoltage condition reoccurs, the ISL6336, ISL6336A will again command the lower MOSFETs to turn on. The ISL6336, ISL6336A will continue to protect the load in this fashion as long as the overvoltage condition occurs.

Once an overvoltage condition is detected, normal PWM operation ceases until the ISL6336, ISL6336A is reset. Cycling the voltage on EN_PWR, EN_VTT or VCC below the POR-falling threshold will reset the controller. Cycling the VID codes will not reset the controller.

Overcurrent Protection

ISL6336, ISL6336A has two levels of overcurrent protection. Each phase is protected from a sustained overcurrent condition by limiting its peak current, while the combined phase currents are protected on an instantaneous basis.

In instantaneous protection mode, the ISL6336, ISL6336A utilizes the sensed average current I_{AVG} to detect an overcurrent condition. See "Channel-Current Balance" on page 15 for more detail on how the average current is measured. The average current is continually compared with a constant 105µA reference current, as shown in Figure 12. Once the average current exceeds the reference current, a comparator trips and causes the converter to shutdown.

The voltage at the IMON pin is used for average current protection (compared to the instantaneous current protection described above). The current out of the IMON pin is equal to the sensed average current, I_{AVG} . With a resistor from IMON to GND, the voltage at IMON will be proportional to the

sensed average current and the resistor value. The ISL6336, ISL6336A continually monitors the voltage at the IMON pin. If the voltage at the IMON pin is higher than 1.11V, a comparator trips and causes the converter to shutdown.

The voltage at the IMON pin may be delayed relative to the sensed current, I_{AVG} , due to the capacitor that is in parallel with the IMON resistor to GND that is required in some applications. This time constant can be $>300\mu\text{s}$. This lag can cause the output voltage to remain high for a longer time period before the OC comparator is tripped. This can lead to higher duty cycles of the output voltage during overcurrent hiccup mode. To avoid this the external current sense resistors should be selected so that the instantaneous overcurrent trip occurs at about the same sense current level as the IMON trip. For example, the IMON resistor to GND should be selected such that the voltage at IMON reaches 1.12V when I_{AVG} reaches $\sim 100\mu\text{A}$. Another option is to remove the capacitor that is in parallel with the IMON resistor and add the required filter to the output of a IMON buffer.

At the beginning of overcurrent shutdown, the controller places all PWM signals in a high-impedance state within 20ns commanding the Intersil MOSFET driver ICs to turn off both upper and lower MOSFETs. The system remains in this state for 4096 switching cycles (programmed switching frequency). If the controller is still enabled at the end of this wait period, it will attempt a soft-start. If the fault remains, the trip-retry cycles will continue indefinitely (as shown in Figure 13) until either controller is disabled or the fault is cleared. Note that the energy delivered during trip-retry cycling is much less than during full-load operation, so there is no thermal hazard during this kind of operation.

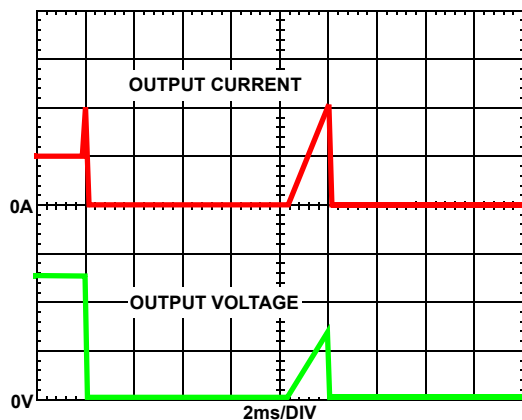


FIGURE 13. OVERCURRENT BEHAVIOR IN HICUP MODE, $F_{SW} = 500\text{kHz}$

For the individual channel overcurrent protection, the ISL6336, ISL6336A continuously compares the sensed current signal of each channel with the $129\mu\text{A}$ reference current. If one channel current exceeds the reference current, ISL6336, ISL6336A will pull the PWM signal of this channel low for the rest of the switching cycle. This PWM signal can be turned on next cycle if the sensed channel current is less than the $129\mu\text{A}$ reference current. The peak

current limit of individual channel will not trigger the converter to shutdown.

The overcurrent protection level for the above three OCP modes can be adjusted by changing the value of current sensing resistors. In addition, ISL6336, ISL6336A can also adjust the average OCP threshold level by adjusting the value of the resistor from IMON to GND. This provides additional safety for the voltage regulator.

Equation 19 can be used to calculate the value of the resistor R_{IMON} based on the desired OCP level $I_{AVG, OCP2}$.

$$R_{IOUT} = \frac{1.11\text{V}}{I_{AVG, OCP2}} \quad (\text{EQ. 19})$$

Thermal Monitoring (VR_HOT/VR_FAN)

There are two thermal signals to indicate the temperature status of the voltage regulator: VR_HOT and VR_FAN. Both VR_FAN and VR_HOT are open-drain outputs, and external pull-up resistors are required. The VR_HOT/VR_FAN signals are valid only after the controller is enabled.

VR_FAN signal indicates that the temperature of the voltage regulator is high and more cooling airflow is needed. VR_HOT signal can be used to inform the system that the temperature of the voltage regulator is too high and the CPU should reduce its power consumption. VR_HOT signal may be tied to the CPU's PROCHOT# signal.

The diagram of the thermal monitoring function block is shown in Figure 14. One NTC resistor should be placed close to the power stage of the voltage regulator to sense the operational temperature, and one pull-up resistor is needed to form the voltage divider for TM pin. The NTC thermistor should be placed next to the current sense element of a phase that will remain active when $\text{PSI}\#$ is asserted low. As the temperature of the power stage increases, the resistance of the NTC will reduce, resulting in the reduced voltage at the TM pin. Figure 15 shows the TM voltage over temperature for a typical design with a recommended $6.8\text{k}\Omega$ NTC (P/N: NTHS0805N02N6801 from Vishay) and $1\text{k}\Omega$ resistor RTM1. We recommend using these resistors for accurate temperature compensation.

There are two comparators with hysteresis to compare the TM pin voltage to the fixed thresholds for VR_FAN and VR_HOT signals respectively. VR_FAN signal is set high when the TM voltage is lower than 39.1% of VCC voltage, and is pulled to GND when the TM voltage increases to above 45.1% of VCC. VR_HOT is set to high when the TM voltage goes below 33.3% of VCC, and is pulled to GND when the TM voltage goes back to above 39.1% of VCC. Figure 16 shows the operation of these signals.

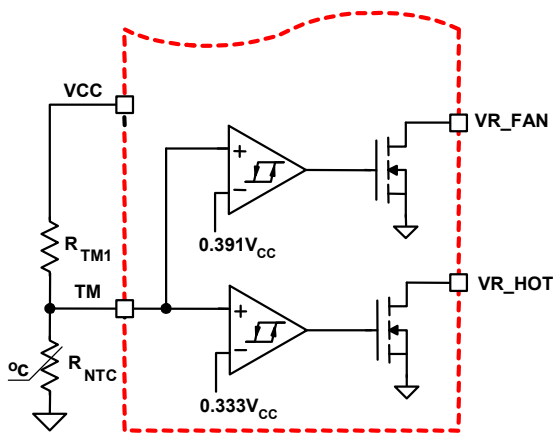


FIGURE 14. BLOCK DIAGRAM OF THERMAL MONITORING FUNCTION

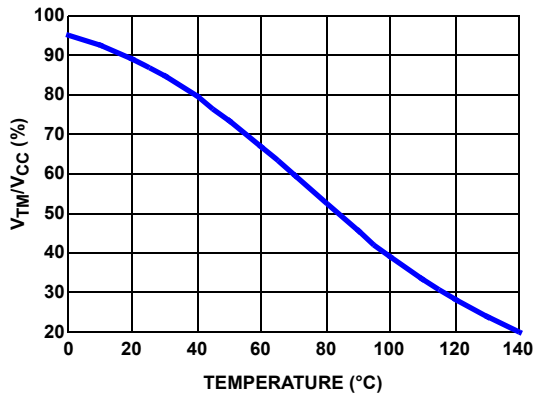


FIGURE 15. THE RATIO OF TM VOLTAGE TO NTC TEMPERATURE WITH RECOMMENDED PARTS

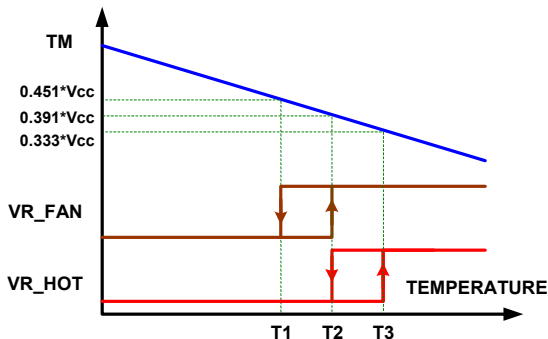


FIGURE 16. VR_HOT AND VR_FAN SIGNAL vs TM VOLTAGE

Based on the NTC temperature characteristics and the desired threshold of VR_HOT signal, the pull-up resistor R_{TM1} of TM pin is given by Equation 20:

$$R_{TM1} = 2.75 \times R_{NTC(T3)} \quad (\text{EQ. 20})$$

R_{NTC(T3)} is the NTC resistance at the VR_HOT threshold temperature T3.

The NTC resistance at the set point T2 and release point T1 of VR_FAN signal can be calculated as:

$$R_{NTC(T2)} = 1.267 \times R_{NTC(T3)} \quad (\text{EQ. 21})$$

$$R_{NTC(T1)} = 1.644 \times R_{NTC(T3)} \quad (\text{EQ. 22})$$

With the NTC resistance value obtained from Equations 21 and 22, the temperature value T2 and T1 can be found from the NTC datasheet.

Temperature Compensation

ISL6336, ISL6336A supports inductor DCR sensing, or resistive sensing techniques. The inductor DCR has a positive temperature coefficient of about +0.385%/°C. Because the voltage across inductor is sensed for output current information, the sensed current has the same positive temperature coefficient as the inductor DCR.

In order to obtain the correct current information, there should be a way to correct the temperature impact on the current sense component. The ISL6336, ISL6336A provides two methods: integrated temperature compensation and external temperature compensation.

Integrated Temperature Compensation

When the TCOMP voltage is equal to or greater than V_{CC}/15, ISL6336, ISL6336A will utilize the voltage at the TM and TCOMP pins to compensate the temperature impact on the sensed current. The block diagram of this function is shown in Figure 17.

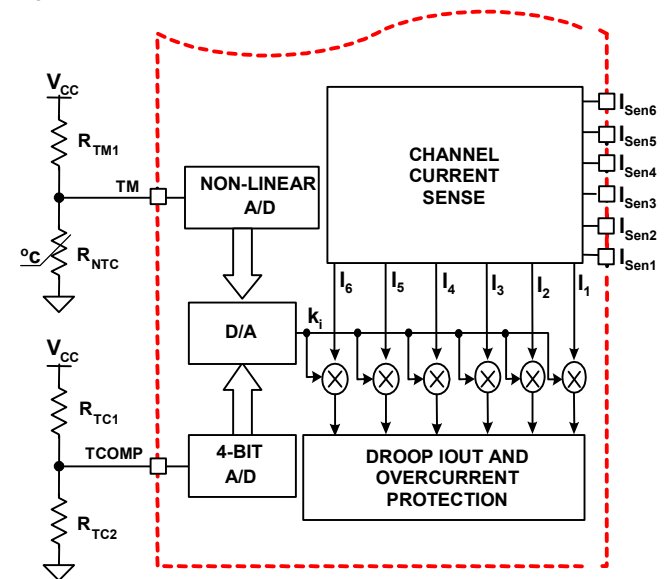


FIGURE 17. BLOCK DIAGRAM OF INTEGRATED TEMPERATURE COMPENSATION

When the TM NTC is placed close to the current sense component (inductor), the temperature of the NTC will track the temperature of the current sense component. Therefore, the TM voltage can be utilized to obtain temperature of the current sense component.

Based on the VCC voltage, ISL6336, ISL6336A converts the TM pin voltage to a 6-bit digital signal for temperature compensation. With the non-linear A/D converter of ISL6336, ISL6336A, the TM digital signal is linearly proportional to the NTC temperature. For accurate temperature compensation, the ratio of the TM voltage to the NTC temperature of the practical design should be similar to that in Figure 15.

Depending on the location of the NTC and the air-flowing, the NTC may be cooler or hotter than the current sense component. The TCOMP pin voltage can be utilized to correct the temperature difference between the NTC and the current sense component. When a different NTC type or different voltage divider is used for the TM function, the TCOMP voltage can also be used to compensate for the difference between the recommended TM voltage curve in Figure 16 and that of the actual design. According to the VCC voltage, ISL6336, ISL6336A converts the TCOMP pin voltage to a 4-bit TCOMP digital signal as TCOMP factor N.

TCOMP factor N is an integer between 0 and 15. The integrated temperature compensation function is disabled for N = 0. For N = 4, the NTC temperature is equal to the temperature of the current sense component. For N < 4, the NTC is hotter than the current sense component. The NTC is cooler than the current sense component for N > 4. When N > 4, the larger TCOMP factor N, the larger the difference between the NTC temperature and the temperature of the current sense component.

ISL6336, ISL6336A multiplexes the TCOMP factor N with the TM digital signal to obtain the adjustment gain to compensate the temperature impact on the sensed channel current. The compensated channel current signal is used for droop and overcurrent protection functions.

Design Procedure

1. Properly choose the voltage divider for TM pin to match the TM voltage vs temperature curve with the recommended curve in Figure 15.
2. Run the actual board under the full load and the desired cooling condition.
3. After the board reaches the thermal steady state, record the temperature (T_{CSC}) of the current sense component (e.g., inductor) and the voltage at TM and VCC pins.
4. Use Equation 23 to calculate the resistance of the TM NTC, and find out the corresponding NTC temperature T_{NTC} from the NTC datasheet.

$$R_{NTC(T_{NTC})} = \frac{V_{TM} \times R_{TM1}}{V_{CC} - V_{TM}} \quad (\text{EQ. 23})$$

5. Use Equation 24 to calculate the TCOMP factor N:

$$N = \frac{209 \times (T_{CSC} - T_{NTC})}{3 \times T_{NTC} + 400} + 4 \quad (\text{EQ. 24})$$

6. Choose an integral number close to the above result for the TCOMP factor. If this factor is higher than 15, use N = 15. If it is less than 1, use N = 1.

7. Choose the pull-up resistor R_{TC1} (typical 10k Ω);
8. If N = 15, do not need the pull-down resistor R_{TC2} , otherwise obtain R_{TC2} by Equation 25:

$$R_{TC2} = \frac{N \times R_{TC1}}{15 - N} \quad (\text{EQ. 25})$$

9. Run the actual board under full load again with the proper resistors to TCOMP pin.
10. Record the output voltage as V1 immediately after the output voltage is stable with the full load; Record the output voltage as V2 after the VR reaches the thermal steady state.
11. If the output voltage increases over 2mV as the temperature increases, i.e. $V2 - V1 > 2\text{mV}$, reduce N and redesign R_{TC2} ; if the output voltage decreases over 2mV as the temperature increases, i.e. $V1 - V2 > 2\text{mV}$, increase N and redesign R_{TC2} .

A design spreadsheet is available to speed aid calculations.

External Temperature Compensation

By pulling the TCOMP pin to GND, the integrated temperature compensation function is disabled. In addition, one external temperature compensation network, shown in Figure 18, can be used to cancel the temperature impact on the droop (i.e. load line).

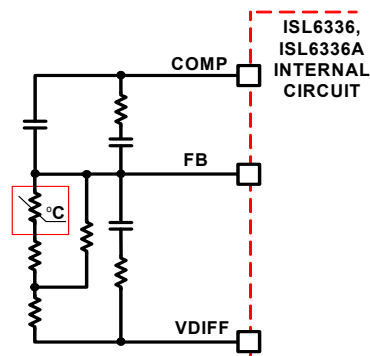


FIGURE 18. EXTERNAL TEMPERATURE COMPENSATION

The sensed current will flow out of the FB pin and develop the droop voltage across the resistor (R_{FB}) between FB and VDIFF pins. If the R_{FB} resistance reduces as the temperature increases, the temperature impact on the droop can be compensated. An NTC thermistor can be placed close to the power stage and used to form R_{FB} . Due to the non-linear temperature characteristics of the NTC, a resistor network is needed to make the equivalent resistance between FB and VDIFF pin reverse proportional to the temperature.

The external temperature compensation network can only compensate the temperature impact on the droop, while it has no impact to the sensed current inside ISL6336, ISL6336A. Therefore this network cannot compensate for the temperature impact on the overcurrent protection function.

General Design Guide

This design guide is intended to provide a high-level explanation of the steps necessary to create a multiphase power converter. It is assumed that the reader is familiar with many of the basic skills and techniques referenced in the following. In addition to this guide, Intersil provides complete reference designs that include schematics, bills of materials, and example board layouts for all common microprocessor applications.

Power Stages

The first step in designing a multiphase converter is to determine the number of phases. This determination depends heavily on the cost analysis which in turn depends on system constraints that differ from one design to the next. Principally, the designer will be concerned with whether components can be mounted on both sides of the circuit board; whether through-hole components are permitted; and the total board space available for power-supply circuitry. Generally speaking, the most economical solutions are those in which each phase handles generally between 20A and 25A. All surface-mount designs will tend toward the lower end of this current range. If through-hole MOSFETs and inductors can be used, higher per-phase currents are possible. In cases where board space is the limiting constraint, current can be pushed as high as 40A per phase, but these designs require heat sinks and forced air to cool the MOSFETs, inductors, and heat-dissipating surfaces.

MOSFETS

The choice of MOSFETs depends on the current each MOSFET will be required to conduct; the switching frequency; the capability of the MOSFETs to dissipate heat; and the availability and nature of heat sinking and air flow.

LOWER MOSFET POWER CALCULATION

The calculation for heat dissipated in the lower MOSFET is simple, since virtually all of the heat loss in the lower MOSFET is due to current conducted through the channel resistance ($r_{DS(ON)}$). In Equation 26, I_M is the maximum continuous output current; I_{P-P} is the peak-to-peak inductor current (see Equation 1); d is the duty cycle (V_{OUT}/V_{IN}); and L is the per-channel inductance.

$$P_{LOW,1} = r_{DS(ON)} \left[\left(\frac{I_M}{N} \right)^2 (1-d) + \frac{I_{L,P-P}^2 (1-d)}{12} \right] \quad (\text{EQ. 26})$$

An additional term can be added to Equation 26 to account for additional loss accrued during the dead time when inductor current is flowing through the lower-MOSFET body diode. This term is dependent on the diode forward voltage at I_M , $V_{D(ON)}$; the switching frequency, f_S ; and the length of dead times, t_{D1} and t_{D2} , at the beginning and the end of the lower-MOSFET conduction interval respectively.

$$P_{LOW,2} = V_{D(ON)} f_S \left[\left(\frac{I_M}{N} + \frac{I_{P-P}}{2} \right) t_{d1} + \left(\frac{I_M}{N} - \frac{I_{P-P}}{2} \right) t_{d2} \right] \quad (\text{EQ. 27})$$

Thus, the total maximum power dissipated in each lower MOSFET is approximated by the summation of $P_{LOW,1}$ and $P_{LOW,2}$.

UPPER MOSFET POWER CALCULATION

In addition to $r_{DS(ON)}$ losses, a large portion of the upper MOSFET losses are due to currents conducted across the input voltage (V_{IN}) during switching. Since a substantially higher portion of the upper-MOSFET losses are dependent on switching frequency, the power calculation is more complex. Upper MOSFET losses can be divided into separate components involving the upper-MOSFET switching times; the lower-MOSFET body-diode reverse recovery charge, Q_{rr} ; and the upper MOSFET $r_{DS(ON)}$ conduction loss.

When the upper MOSFET turns off, the lower MOSFET does not conduct any portion of the inductor current until the voltage at the phase node falls below ground. Once the lower MOSFET begins conducting, the current in the upper MOSFET falls to zero as the current in the lower MOSFET ramps up to assume the full inductor current. In Equation 28, the required time for this commutation is t_1 and the approximated associated power loss is $P_{UP,1}$.

$$P_{UP,1} \approx V_{IN} \left(\frac{I_M}{N} + \frac{I_{P-P}}{2} \right) \left(\frac{t_1}{2} \right) f_S \quad (\text{EQ. 28})$$

At turn-on, the upper MOSFET begins to conduct and this transition occurs over a time t_2 . In Equation 29, the approximate power loss is $P_{UP,2}$.

$$P_{UP,2} \approx V_{IN} \left(\frac{I_M}{N} - \frac{I_{P-P}}{2} \right) \left(\frac{t_2}{2} \right) f_S \quad (\text{EQ. 29})$$

A third component involves the lower MOSFET's reverse recovery charge, Q_{rr} . Since the inductor current has fully commutated to the upper MOSFET before the lower MOSFET's body diode can draw all of Q_{rr} , it is conducted through the upper MOSFET across V_{IN} . The power dissipated as a result is $P_{UP,3}$ and is approximated in Equation 30 :

$$P_{UP,3} = V_{IN} Q_{rr} f_S \quad (\text{EQ. 30})$$

Finally, the resistive part of the upper MOSFET's is given in Equation 31 as $P_{UP,4}$.

$$P_{UP,4} \approx r_{DS(ON)} \left[\left(\frac{I_M}{N} \right)^2 d + \frac{I_{P-P}^2 d}{12} \right] \quad (\text{EQ. 31})$$

The total power dissipated by the upper MOSFET at full load can now be approximated as the summation of the results from Equations 28, 29, 30 and 31. Since the power equations depend on MOSFET parameters, choosing the correct MOSFETs can be an iterative process involving repetitive solutions to the loss equations for different MOSFETs and different switching frequencies.

Current Sensing Resistor

The resistors connected to the ISEN+ pins determine the gains in the load-line regulation loop and the channel-current balance loop as well as setting the overcurrent trip point. Select values for these resistors by the Equation 32.

$$R_{ISEN} = \frac{R_X}{105 \times 10^{-6}} \frac{I_{OCP}}{N} \quad (\text{EQ. 32})$$

where R_{ISEN} is the sense resistor connected to the ISEN+ pin, N is the active channel number, R_X is the resistance of the current sense element, either the DCR of the inductor or R_{SENSE} depending on the sensing method, and I_{OCP} is the desired overcurrent trip point. Typically, I_{OCP} can be chosen to be 1.2x the maximum load current of the specific application.

With integrated temperature compensation, the sensed current signal is independent on the operational temperature of the power stage, i.e. the temperature effect on the current sense element R_X is cancelled by the integrated temperature compensation function. R_X in Equation 32 should be the resistance of the current sense element at the room temperature.

When the integrated temperature compensation function is disabled by pulling the TCOMP pin to GND, the sensed current will be dependent on the operational temperature of the power stage, since the DC resistance of the current sense element may be changed according to the operational temperature. R_X in Equation 32 should be the maximum DC resistance of the current sense element at all the operational temperature.

In certain circumstances, it may be necessary to adjust the value of one or more ISEN resistors. When the components of one or more channels are inhibited from effectively dissipating their heat so that the affected channels run hotter than desired, choose new, smaller values of R_{ISEN} for the affected phases (see the section titled "Channel-Current Balance" on page 15). Choose $R_{ISEN,2}$ in proportion to the desired decrease in temperature rise in order to cause proportionally less current to flow in the hotter phase.

$$R_{ISEN,2} = R_{ISEN} \frac{\Delta T_2}{\Delta T_1} \quad (\text{EQ. 33})$$

In Equation 33, make sure that ΔT_2 is the desired temperature rise above the ambient temperature, and ΔT_1 is the measured temperature rise above the ambient temperature. While a single adjustment according to Equation 33 is usually sufficient, it may occasionally be necessary to adjust R_{ISEN} two or more times to achieve optimal thermal balance between all channels.

Load-Line Regulation Resistor

The load-line regulation resistor is labelled R_{FB} in Figure 6. Its value depends on the desired loadline requirement of the application.

The desired loadline can be calculated by Equation 34:

$$R_{LL} = \frac{V_{DROOP}}{I_{FL}} \quad (\text{EQ. 34})$$

where I_{FL} is the full load current of the specific application, and V_{DROOP} is the desired voltage droop under the full load condition.

Based on the desired loadline R_{LL} , the loadline regulation resistor can be calculated by Equation 35:

$$R_{FB} = \frac{NR_{ISEN}R_{LL}}{R_X} \quad (\text{EQ. 35})$$

where N is the active channel number, R_{ISEN} is the sense resistor connected to the ISEN+ pin, and R_X is the resistance of the current sense element, either the DCR of the inductor or R_{SENSE} depending on the sensing method.

If one or more of the current sense resistors are adjusted for thermal balance, as in Equation 35, the load-line regulation resistor should be selected based on the average value of the current sensing resistors, as given in Equation 36:

$$R_{FB} = \frac{R_{LL}}{R_X} \sum_n R_{ISEN(n)} \quad (\text{EQ. 36})$$

where $R_{ISEN(n)}$ is the current sensing resistor connected to the n^{th} ISEN+ pin.

Compensation

The two opposing goals of compensating the voltage regulator are stability and speed. Depending on whether the regulator employs the optional load-line regulation as described in Load-Line Regulation, there are two distinct methods for achieving these goals.

COMPENSATING LOAD-LINE REGULATED CONVERTER

The load-line regulated converter behaves in a similar manner to a peak-current mode controller because the two poles at the output-filter L-C resonant frequency split with the introduction of current information into the control loop. The final location of these poles is determined by the system function, the gain of the current signal, and the value of the compensation components, R_C and C_C .

Since the system poles and zero are affected by the values of the components that are meant to compensate them, the solution to the system equation becomes fairly complicated. Fortunately there is a simple approximation that comes very close to an optimal solution. Treating the system as though it were a voltage-mode regulator by compensating the L-C poles and the ESR zero of the voltage-mode approximation yields a solution that is always stable with very close to ideal transient performance.

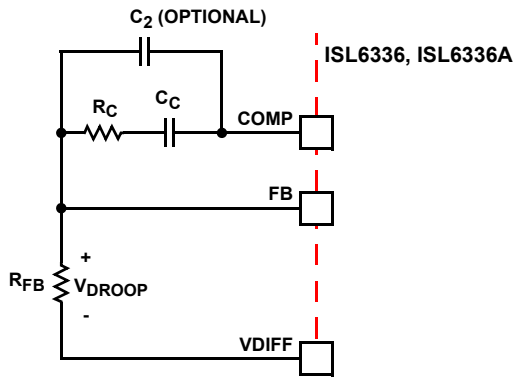


FIGURE 19. COMPENSATION CONFIGURATION FOR LOAD-LINE REGULATED ISL6336, ISL6336A CIRCUIT

The feedback resistor, R_{FB} , has already been chosen as outlined in “Load-Line Regulation Resistor” on page 26. Select a target bandwidth for the compensated system, f_0 . The target bandwidth must be large enough to ensure adequate transient performance, but generally smaller than 1/3 of the per-channel switching frequency. The values of the compensation components depend on the relationships of f_0 to the L-C pole frequency and the ESR zero frequency. For each of the three cases which follow, there are a separate set of equations for the compensation components.

Case 1: $\frac{1}{2\pi\sqrt{LC}} > f_0$

$$R_C = R_{FB} \frac{2\pi f_0 V_{P-P} \sqrt{LC}}{0.75 V_{IN}}$$

$$C_C = \frac{0.75 V_{IN}}{2\pi V_{PP} R_{FB} f_0}$$

Case 2: $\frac{1}{2\pi\sqrt{LC}} \leq f_0 < \frac{1}{2\pi C(ESR)}$

$$R_C = R_{FB} \frac{V_{P-P} (2\pi)^2 f_0^2 LC}{0.75 V_{IN}} \quad (\text{EQ. 37})$$

$$C_C = \frac{0.75 V_{IN}}{(2\pi)^2 f_0^2 V_{PP} R_{FB} \sqrt{LC}}$$

Case 3: $f_0 > \frac{1}{2\pi C(ESR)}$

$$R_C = R_{FB} \frac{2\pi f_0 V_{P-P} L}{0.75 V_{IN}(ESR)}$$

$$C_C = \frac{0.75 V_{IN}(ESR) \sqrt{C}}{2\pi V_{P-P} R_{FB} f_0 \sqrt{L}}$$

In Equation 37, L is the per-channel filter inductance divided by the number of active channels; C is the sum total of all output capacitors; ESR is the equivalent-series resistance of the bulk output-filter capacitance; and V_{P-P} is the peak-to-peak sawtooth signal amplitude as described in the “Electrical Specifications” table beginning on page 7.

The optional capacitor C_2 , is sometimes needed to bypass noise away from the PWM comparator (see Figure 19). Keep a position available for C_2 , and be prepared to install a high frequency capacitor between 22pF and 150pF in case excessive jitter is noted.

Once selected, the compensation values in Equation 37 ensure a stable converter with reasonable transient performance. In most cases, transient performance can be improved by making adjustments to R_C . Slowly increase the value of R_C while observing the transient performance on an oscilloscope until no further improvement is noted. Normally, C_C will not need adjustment. Keep the value of C_C from Equation 37 unless some performance issue is noted.

C_1 and R_1 can also be added to improve transient performance per the type III compensation discussion below.

COMPENSATION WITHOUT LOAD-LINE REGULATION

The non load-line regulated converter is accurately modeled as a voltage-mode regulator with two poles at the L-C resonant frequency and a zero at the ESR frequency. A type III controller, as shown in Figure 20, provides the necessary compensation.

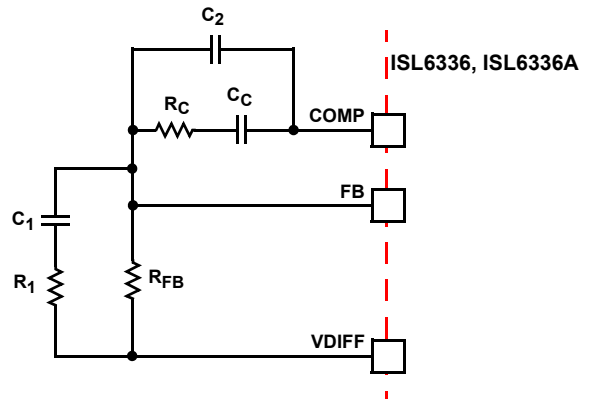


FIGURE 20. COMPENSATION CIRCUIT FOR ISL6336, ISL6336A BASED CONVERTER WITHOUT LOAD-LINE REGULATION

The first step is to choose the desired bandwidth, f_0 , of the compensated system. Choose a frequency high enough to ensure adequate transient performance but generally not higher than 1/3 of the switching frequency. The type-III compensator has an extra high-frequency pole, f_{HF} . This pole can be used for added noise rejection or to ensure adequate attenuation at the error-amplifier high-order pole and zero frequencies. A good general rule is to choose $f_{HF} = 10f_0$, but it can be higher if desired. Choosing f_{HF} to be lower than $10f_0$ can cause problems with too much phase shift below the system bandwidth.

In the solutions to the compensation equations, there is a single degree of freedom. For the solutions presented in Equation 38, R_{FB} is selected arbitrarily. The remaining compensation components are then selected according to Equation 38.

$$R_1 = R_{FB} \frac{C(ESR)}{\sqrt{LC} - C(ESR)}$$

$$C_1 = \frac{\sqrt{LC} - C(ESR)}{R_{FB}}$$

$$C_2 = \frac{0.75V_{IN}}{(2\pi)^2 f_0 f_{HF} \sqrt{LC} R_{FB} V_{P-P}} \quad (\text{EQ. 38})$$

$$R_C = \frac{V_{PP} (2\pi)^2 f_0 f_{HF} L C R_{FB}}{0.75 V_{IN} [(2\pi f_{HF} \sqrt{LC} - 1)]}$$

$$C_C = \frac{0.75 V_{IN} (2\pi f_{HF} \sqrt{LC} - 1)}{(2\pi)^2 f_0 f_{HF} \sqrt{LC} R_{FB} V_{P-P}}$$

In Equation 38, L is the per-channel filter inductance divided by the number of active channels; C is the sum total of all output capacitors; ESR is the equivalent-series resistance of the bulk output-filter capacitance; and V_{PP} is the peak-to-peak sawtooth signal amplitude as described in the “Electrical Specifications” table beginning on page 7.

Output Filter Design

The output inductors and the output capacitor bank together form a low-pass filter responsible for smoothing the pulsating voltage at the phase nodes. The output filter also must provide the transient energy until the regulator can respond. Because it has a low bandwidth compared to the switching frequency, the output filter necessarily limits the system transient response. The output capacitor must supply or sink load current while the current in the output inductors increases or decreases to meet the demand.

In high-speed converters, the output capacitor bank is usually the most costly (and often the largest) part of the circuit. Output filter design begins with minimizing the cost of this part of the circuit. The critical load parameters in choosing the output capacitors are the maximum size of the load step, ΔI ; the load-current slew rate, di/dt ; and the maximum allowable output-voltage deviation under transient loading, ΔV_{MAX} . Capacitors are characterized according to their capacitance, ESR, and ESL (equivalent series inductance).

At the beginning of the load transient, the output capacitors supply all of the transient current. The output voltage will initially deviate by an amount approximated by the voltage drop across the ESL. As the load current increases, the voltage drop across the ESR increases linearly until the load current reaches its final value. The capacitors selected must have sufficiently low ESL and ESR so that the total output voltage deviation is less than the allowable maximum. Neglecting the contribution of inductor current and regulator response, the

output voltage initially deviates by an amount, as shown in Equation 39:

$$\Delta V \approx (ESL) \cdot \frac{di}{dt} + (ESR) \cdot \Delta I \quad (\text{EQ. 39})$$

The filter capacitor must have sufficiently low ESL and ESR so that $\Delta V < \Delta V_{MAX}$.

Most capacitor solutions rely on a mixture of high-frequency capacitors with relatively low capacitance in combination with bulk capacitors having high capacitance but limited high-frequency performance. Minimizing the ESL of the high-frequency capacitors allows them to support the output voltage as the current increases. Minimizing the ESR of the bulk capacitors allows them to supply the increased current with less output voltage deviation.

The ESR of the bulk capacitors also creates the majority of the output-voltage ripple. As the bulk capacitors sink and source the inductor ac ripple current (see “Interleaving” on page 11 and Equation 2), a voltage develops across the bulk-capacitor ESR equal to $I_{C,PP}(ESR)$. Thus, once the output capacitors are selected, the maximum allowable ripple voltage, $V_{PP(MAX)}$, determines the lower limit on the inductance, as shown in Equation 40.

$$L \geq (ESR) \cdot \frac{(V_{IN} - N \cdot V_{OUT}) \cdot V_{OUT}}{f_S \cdot V_{IN} \cdot V_{P-P(MAX)}} \quad (\text{EQ. 40})$$

Since the capacitors are supplying a decreasing portion of the load current while the regulator recovers from the transient, the capacitor voltage becomes slightly depleted. The output inductors must be capable of assuming the entire load current before the output voltage decreases more than ΔV_{MAX} . This places an upper limit on inductance.

Equation 41 gives the upper limit on L for the cases when the trailing edge of the current transient causes a greater output-voltage deviation than the leading edge. Equation 42 addresses the leading edge. Normally, the trailing edge dictates the selection of L because duty cycles are usually much less than 50%. Nevertheless, both inequalities should be evaluated, and L should be selected based on the lower of the two results. In each equation, L is the per-channel inductance, C is the total output capacitance, and N is the number of active channels.

$$L \leq \frac{2 \cdot N \cdot C \cdot V_O}{(\Delta I)^2} [\Delta V_{MAX} - (\Delta I \cdot (ESR))] \quad (\text{EQ. 41})$$

$$L \leq \frac{1.25 \cdot N \cdot C}{(\Delta I)^2} [\Delta V_{MAX} - (\Delta I \cdot (ESR))] \cdot (V_{IN} - V_O) \quad (\text{EQ. 42})$$

Switching Frequency

There are a number of variables to consider when choosing the switching frequency, as there are considerable effects on the upper-MOSFET loss calculation. These effects are outlined in “MOSFETs” on page 25, and they establish the upper limit for the switching frequency. The lower limit is established by the requirement for fast transient response and small output-

voltage ripple as outlined in “Output Filter Design” on page 28. Choose the lowest switching frequency that allows the regulator to meet the transient-response requirements.

Switching frequency is determined by the selection of the frequency-setting resistor, R_T (see “Typical Application - 5-Phase Buck Converter with DCR Sensing and Integrated TCOMP” on page 5 and “Typical Application - 4-Phase Buck Converter with coupled inductors” on page 6). Equation 3 is provided to assist in selecting the correct value for R_T .

Input Capacitor Selection

The input capacitors are responsible for sourcing the AC component of the input current flowing into the upper MOSFETs. Their RMS current capacity must be sufficient to handle the AC component of the current drawn by the upper MOSFETs that is related to duty cycle and the number of active phases.

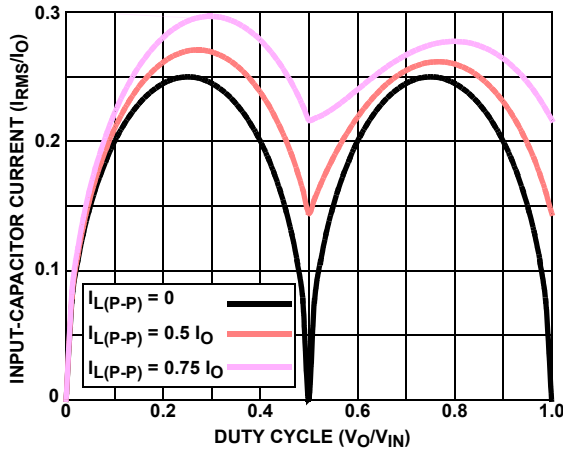


FIGURE 21. NORMALIZED INPUT-CAPACITOR RMS CURRENT vs DUTY CYCLE FOR 2-PHASE CONVERTER

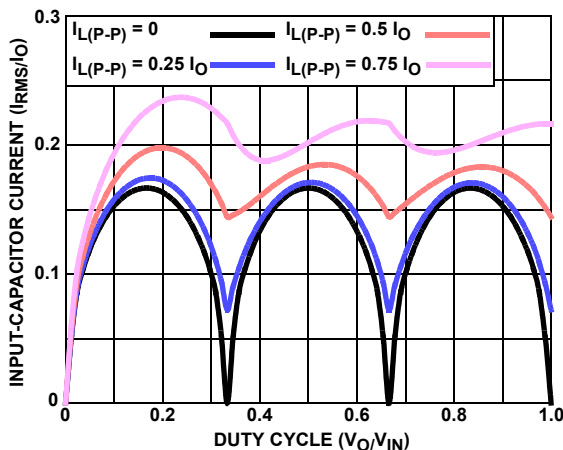


FIGURE 22. NORMALIZED INPUT-CAPACITOR RMS CURRENT vs DUTY CYCLE FOR 3-PHASE CONVERTER

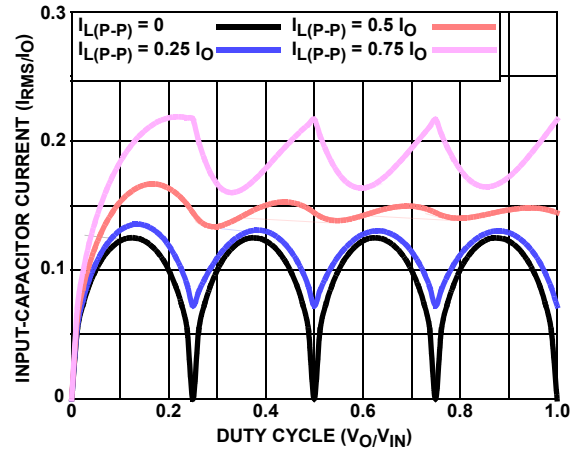


FIGURE 23. NORMALIZED INPUT-CAPACITOR RMS CURRENT vs DUTY CYCLE FOR 4-PHASE CONVERTER

For a two phase design, use Figure 21 to determine the input-capacitor RMS current requirement given the duty cycle, maximum sustained output current (I_O), and the ratio of the per-phase peak-to-peak inductor current ($I_{L(P-P)}$) to I_O . Select a bulk capacitor with a ripple current rating which will minimize the total number of input capacitors required to support the RMS current calculated. The voltage rating of the capacitors should also be at least 1.25x greater than the maximum input voltage.

Figures 22 and 23 provide the same input RMS current information for three and four phase designs respectively. Use the same approach to selecting the bulk capacitor type and number, as previously described.

Low capacitance, high-frequency ceramic capacitors are needed in addition to the bulk capacitors to suppress leading and falling edge voltage spikes. They result from the high current slew rates produced by the upper MOSFETs turning on and off. Select low ESL ceramic capacitors and place one as close as possible to each upper MOSFET drain to minimize board parasitic impedances and maximize suppression. More than one of these low ESL capacitors may be needed.

MULTIPHASE RMS IMPROVEMENT

Figure 24 is provided as a reference to demonstrate the dramatic reductions in input-capacitor RMS current upon the implementation of the multiphase topology. For example, compare the input RMS current requirements of a two-phase converter versus that of a single phase. Assume both converters have a duty cycle of 0.25, maximum sustained output current of 40A, and a ratio of $I_{L(P-P)}$ to I_O of 0.5. The single phase converter would require 17.3A_{RMS} current capacity while the two-phase converter would only require 10.9A_{RMS}. The advantages become even more pronounced when output current is increased and additional phases are added to keep the component cost down relative to the single phase approach.

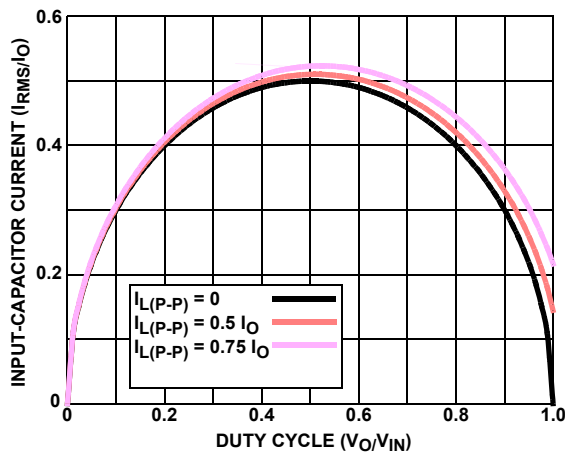


FIGURE 24. NORMALIZED INPUT-CAPACITOR RMS CURRENT vs DUTY CYCLE FOR SINGLE-PHASE CONVERTER

Layout Considerations

The following layout strategies are intended to minimize the impact of board parasitic impedances on converter performance and to optimize the heat-dissipating capabilities of the printed-circuit board. The following sections highlight some important practices which should not be overlooked during the layout process.

Component Placement

Within the allotted implementation area, orient the switching components first. The switching components are the most critical because they carry large amounts of energy and tend to generate high levels of noise. Switching component placement should take into account power dissipation. Align the output inductors and MOSFETs such that spaces between the components are minimized while creating the PHASE plane. Place the Intersil MOSFET driver IC as close as possible to the MOSFETs they control to reduce the parasitic impedances due to trace length between critical driver input and output signals. If possible, duplicate the same placement of these components for each phase.

Next, place the input and output capacitors. Position one high frequency ceramic input capacitor next to each upper MOSFET drain. Place the bulk input capacitors as close to the upper MOSFET drains as dictated by the component size and dimensions. Long distances between input capacitors and MOSFET drains result in too much trace inductance and a reduction in capacitor performance. Locate the output capacitors between the inductors and the load, while keeping them in close proximity to the microprocessor socket.

The ISL6336, ISL6336A can be placed off to one side or centered relative to the individual phase switching components. Routing of sense lines and PWM signals will guide final placement. Critical small signal components to place close to the controller include the ISEN resistors, R_T resistor, feedback resistor, and compensation components.

Bypass capacitors for the ISL6336, ISL6336A and ISL66xx driver bias supplies must be placed next to their respective pins. Trace parasitic impedances will reduce their effectiveness.

Plane Allocation and Routing

Dedicate one solid layer, usually a middle layer, for a ground plane. Make all critical component ground connections with vias to this plane. Dedicate one additional layer for power planes; breaking the plane up into smaller islands of common voltage. Use the remaining layers for signal wiring.

Route phase planes of copper filled polygons on the top and bottom once the switching component placement is set. Size the trace width between the driver gate pins and the MOSFET gates to carry 4A of current. When routing components in the switching path, use short wide traces to reduce the associated parasitic impedances.

Voltage Regulator (VR) Design Materials

Voltage tolerance band calculation (TOB) worksheets for VR output regulation and IMON tolerance have been developed using the Root-Sum-Squared (RSS) method with 3-sigma distribution data of the related components and parameters. Note that the "Electrical Specifications" table beginning on page 7 specifies no less than 6-sigma distribution data and is not suitable for RSS TOB calculations. Intersil has developed a set of worksheets to help support VR designs and layout. Contact Intersil's local office or field support for the latest information.

Revision History

The revision history provided is for informational purposes only and is believed to be accurate, but not warranted. Please go to the web to make sure that you have the latest revision.

DATE	REVISION	CHANGE
January 15, 2016	FN6504.2	<p>Updated Ordering Information table on page 2. Updated Electrical Spec Table on page 7 as follows: From: EN_PWR Threshold Rising 0.875 0.897 0.920 V Falling 0.735 0.752 0.770 V EN_VTT Threshold Rising 0.875 0.897 0.920 V Falling 0.735 0.752 0.770 V</p> <p>To: EN_PWR Threshold Rising 0.830 0.850 0.870 V Falling 0.735 0.752 0.770 V EN_VTT Threshold Rising 0.830 0.850 0.870 V Falling 0.735 0.752 0.770 V</p> <p>Page 7: Moved "Parameters with MIN and/or MAX limits are 100% tested at +25°C, unless otherwise specified. Temperature limits established by characterization and are not production tested." from common conditions of Electrical Specs table to note in MIN MAX column of Electrical Spec table.</p> <p>Updated POD changes are as follows: Corrected Note 4 from: "Dimension b applies to.." to: "Dimension applies to.." Enclosed Notes #'s 4, 5 and 6 in a triangle.</p> <p>Page 4, Internal Block Diagram: Connected PWM2 to the Channel Detect Block</p>

About Intersil

Intersil Corporation is a leading provider of innovative power management and precision analog solutions. The company's products address some of the largest markets within the industrial and infrastructure, mobile computing and high-end consumer markets.

For the most updated datasheet, application notes, related documentation and related parts, please see the respective product information page found at www.intersil.com.

You may report errors or suggestions for improving this datasheet by visiting www.intersil.com/ask.

Reliability reports are also available from our website at www.intersil.com/support.

© Copyright Intersil Americas LLC 2008-2016. All Rights Reserved.
All trademarks and registered trademarks are the property of their respective owners.

For additional products, see www.intersil.com/en/products.html

Intersil products are manufactured, assembled and tested utilizing ISO9001 quality systems as noted in the quality certifications found at www.intersil.com/en/support/qualandreliability.html

Intersil products are sold by description only. Intersil may modify the circuit design and/or specifications of products at any time without notice, provided that such modification does not, in Intersil's sole judgment, affect the form, fit or function of the product. Accordingly, the reader is cautioned to verify that datasheets are current before placing orders. Information furnished by Intersil is believed to be accurate and reliable. However, no responsibility is assumed by Intersil or its subsidiaries for its use; nor for any infringements of patents or other rights of third parties which may result from its use. No license is granted by implication or otherwise under any patent or patent rights of Intersil or its subsidiaries.

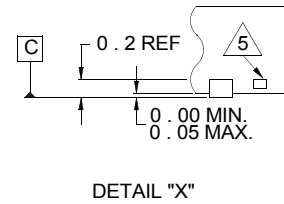
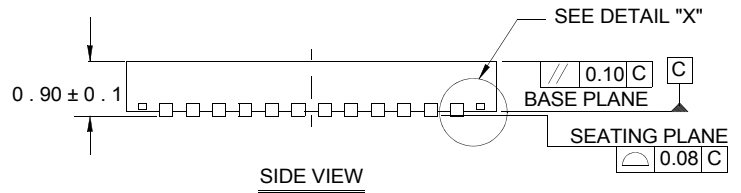
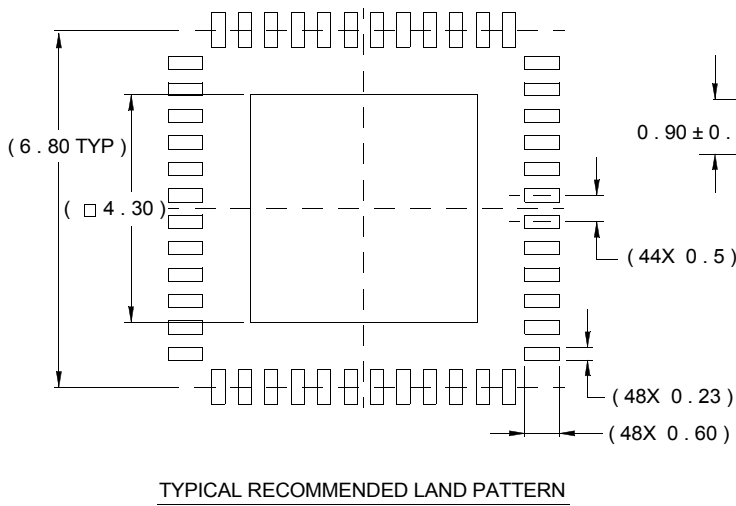
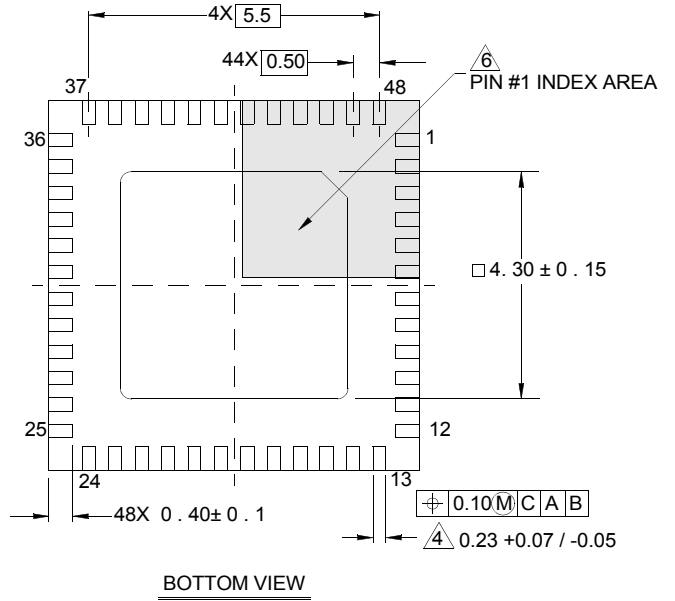
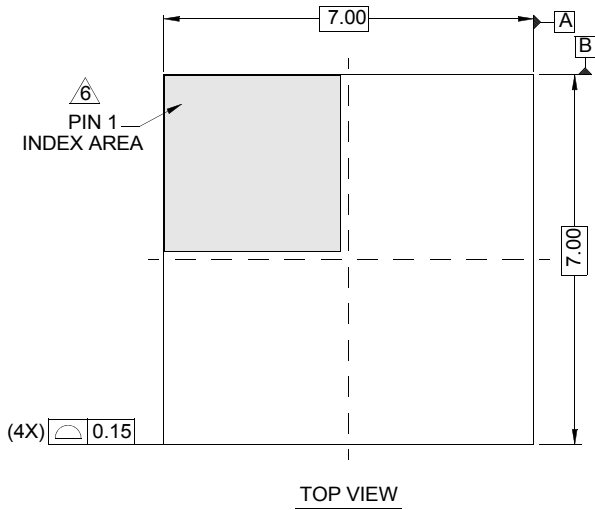
For information regarding Intersil Corporation and its products, see www.intersil.com

Package Outline Drawing

L48.7x7

48 LEAD QUAD FLAT NO-LEAD PLASTIC PACKAGE

Rev 5, 4/10



NOTES:

1. Dimensions are in millimeters.
Dimensions in () for Reference Only.
2. Dimensioning and tolerancing conform to AMSE Y14.5m-1994.
3. Unless otherwise specified, tolerance : Decimal ± 0.05
4. Dimension applies to the metallized terminal and is measured between 0.15mm and 0.30mm from the terminal tip.
5. Tiebar shown (if present) is a non-functional feature.
6. The configuration of the pin #1 identifier is optional, but must be located within the zone indicated. The pin #1 identifier may be either a mold or mark feature.