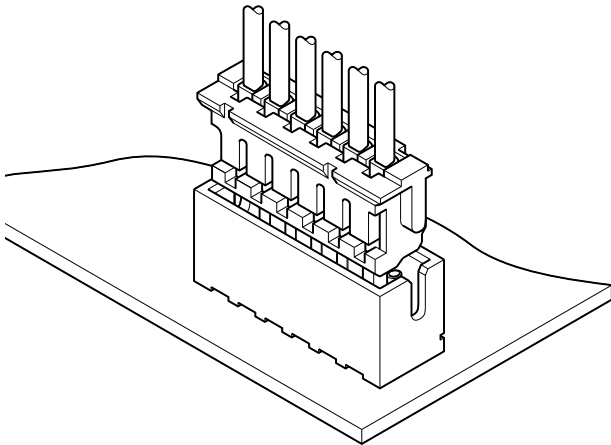


ZH CONNECTOR



1.5 mm pitch/Disconnectable Crimp style connectors



The ZH connector is very small with a mounting height of 5.6 mm and a thickness of only 3.5 mm. Contact retention lances on the housing make insertion easier, while the dimple at the center of the contact ensures reliable contact with the post.

- Compact, low profile design
- Housing lances
- Reliable contact construction
- Distortion resistant construction
- Compatible with the ZR insulation displacement connectors

Specifications

- Current rating: 1.0 A AC/DC (AWG #26)
 - Voltage rating: 50 V AC/DC
 - Temperature range: -25°C to +85°C
(including temperature rise in applying electrical current)
 - Contact resistance: Initial value/ 20 mΩ max.
After environmental tests/ 30 mΩ max.
 - Insulation resistance: 500 MΩ min.
 - Withstanding voltage: 500 VAC/minute
 - Applicable wire: AWG #32 to #26
 - Applicable PC board thickness: 0.6 to 1.2 mm, 1.6 mm
- * In using the products, refer to "Handling Precautions for Terminals and Connectors" described on our website (Technical documents of Product information page).
- * RoHS2 compliance
- * Dimensional unit: mm
- * Contact JST for details.

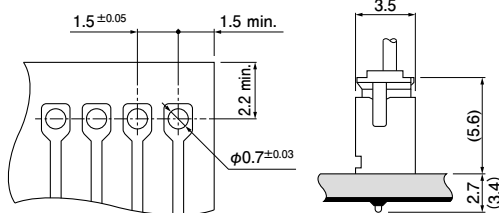
Standards

- Ⓜ Recognized E60389
- Ⓢ Certified LR20812

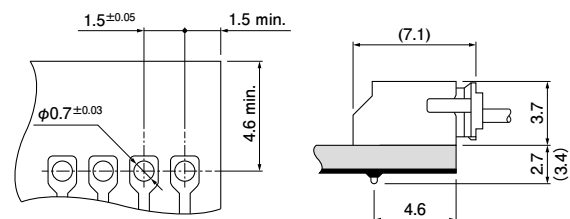
PC board layout and Assembly layout

<Through-hole type (viewed from soldering side) >

Top entry type



Side entry type

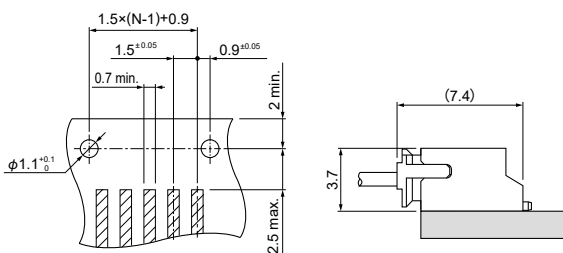


- Note: 1. Tolerances are non-cumulative: ± 0.05 mm for all centers.
2. Hole dimension differ according to the type of PC board and piercing method. If PC boards made of hard material are used, the hole dimensions should be larger. The dimensions above should serve as a guideline. Contact JST for details.

<SMT type (viewed from connector mounting side) >

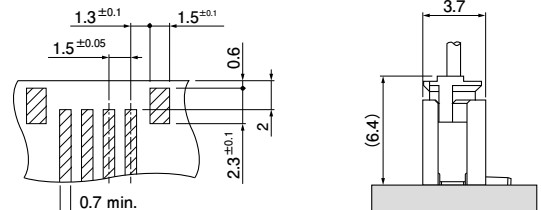
SM2 type

Side entry type

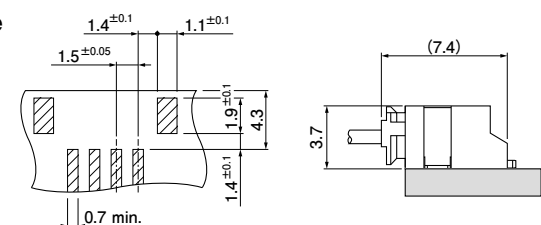


SM4 type

Top entry type



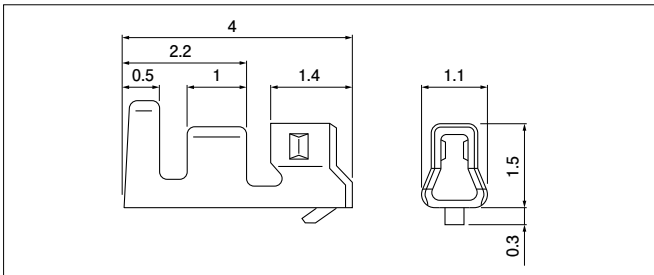
Side entry type



- Note: 1. N...Number of circuits
2. Tolerances are non-cumulative: ± 0.05 mm for all centers.
3. The dimensions above should serve as a guideline. Contact JST for details.

ZH CONNECTOR

Contact



| Model No. | Applicable wire | | | Q'ty/ reel |
|---------------|-----------------|-------|----------------------|---------------|
| | mm ² | AWG# | Insulation O.D. (mm) | |
| SZH-002T-P0.5 | 0.08~0.13 | 28~26 | 0.8~1.1 | 13,000 |
| SZH-003T-P0.5 | 0.032~0.08 | 32~28 | 0.5~0.9 | 16,000 |

Material and Finish

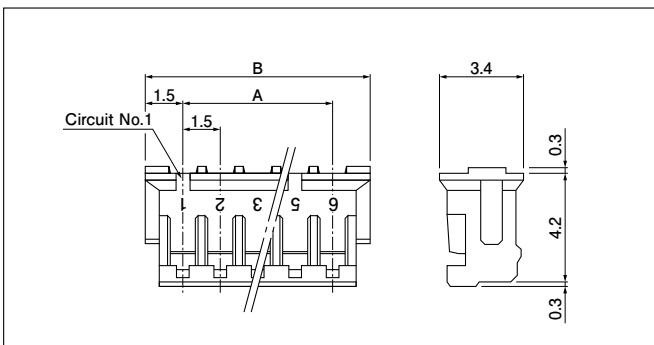
Phosphor bronze, tin-plated (reflow treatment)

RoHS2 compliance

| Contact | Crimping machine | Applicator | | |
|---------------|------------------|------------------|---------------|----------------------------|
| | | Crimp applicator | Dies | Crimp applicator with dies |
| SZH-002T-P0.5 | AP-K2N | MKS-L | MK/SZH-002-05 | APLMK SZH002-05 |
| SZH-003T-P0.5 | | | MK/SZH-003-05 | APLMK SZH003-05 |

Note: Contact JST for fully automatic crimping applicator.

Housing



| No. of circuits | Model No. | Dimensions (mm) | | Q'ty/ bag |
|-----------------|-------------|-----------------|------|--------------|
| | | A | B | |
| 2 | ZHR-2 | 1.5 | 4.5 | 1,000 |
| 3 | ZHR-3 | 3.0 | 6.0 | 1,000 |
| 4 | ZHR-4 | 4.5 | 7.5 | 1,000 |
| 5 | ZHR-5 | 6.0 | 9.0 | 1,000 |
| 6 | ZHR-6 | 7.5 | 10.5 | 1,000 |
| 6 | *ZHR-6(3.0) | 15.0 | 18.0 | 1,000 |
| 7 | ZHR-7 | 9.0 | 12.0 | 1,000 |
| 8 | ZHR-8 | 10.5 | 13.5 | 1,000 |
| 9 | ZHR-9 | 12.0 | 15.0 | 1,000 |
| 10 | ZHR-10 | 13.5 | 16.5 | 1,000 |
| 11 | ZHR-11 | 15.0 | 18.0 | 1,000 |
| 12 | ZHR-12 | 16.5 | 19.5 | 1,000 |
| 13 | ZHR-13 | 18.0 | 21.0 | 1,000 |

Material and Finish

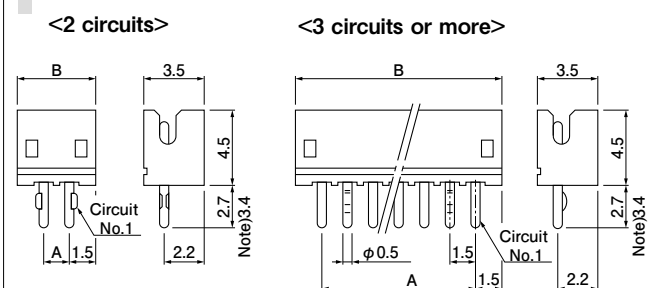
PA 66, UL94V-0, natural (white)

RoHS2 compliance

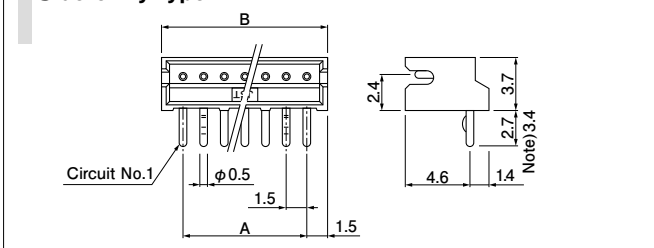
Note: 1. ZHR-6(3.0) means the 6-circuits housing with 3.0mm pitch and each even number circuit is filled with the resin.
As for this housing, only circuit No.1 is marked.
2. ZHR-6(3.0) is not UL/CSA approved.

Through-hole type shrouded header

Top entry type



Side entry type



| No. of circuits | Model No. | | | | Dimensions (mm) | | Q'ty/box | | |
|-----------------|----------------|-----------------|----------------------|-----------------------|-----------------|------|----------------|-----------------|---------------------|
| | Top entry type | Side entry type | Note) Top entry type | Note) Side entry type | A | B | Top entry type | Side entry type | Side entry type-3.4 |
| 2 | B2B-ZR | S2B-ZR | B2B-ZR-3.4 | S2B-ZR-3.4 | 1.5 | 4.5 | 2,000 | 2,000 | 2,000 |
| 3 | B3B-ZR | S3B-ZR | B3B-ZR-3.4 | S3B-ZR-3.4 | 3.0 | 6.0 | 2,000 | 2,000 | 1,000 |
| 4 | B4B-ZR | S4B-ZR | B4B-ZR-3.4 | S4B-ZR-3.4 | 4.5 | 7.5 | 2,000 | 2,000 | 2,000 |
| 5 | B5B-ZR | S5B-ZR | B5B-ZR-3.4 | S5B-ZR-3.4 | 6.0 | 9.0 | 2,000 | 1,000 | 1,000 |
| 6 | B6B-ZR | S6B-ZR | B6B-ZR-3.4 | S6B-ZR-3.4 | 7.5 | 10.5 | 2,000 | 1,000 | 1,000 |
| 7 | B7B-ZR | S7B-ZR | B7B-ZR-3.4 | S7B-ZR-3.4 | 9.0 | 12.0 | 1,000 | 1,000 | 1,000 |
| 8 | B8B-ZR | S8B-ZR | B8B-ZR-3.4 | S8B-ZR-3.4 | 10.5 | 13.5 | 1,000 | 1,000 | 1,000 |
| 9 | B9B-ZR | S9B-ZR | B9B-ZR-3.4 | S9B-ZR-3.4 | 12.0 | 15.0 | 1,000 | 1,000 | 1,000 |
| 10 | B10B-ZR | S10B-ZR | B10B-ZR-3.4 | S10B-ZR-3.4 | 13.5 | 16.5 | 1,000 | 1,000 | 1,000 |
| 11 | B11B-ZR | S11B-ZR | B11B-ZR-3.4 | S11B-ZR-3.4 | 15.0 | 18.0 | 1,000 | 500 | 500 |
| 12 | B12B-ZR | S12B-ZR | B12B-ZR-3.4 | S12B-ZR-3.4 | 16.5 | 19.5 | 1,000 | 500 | 500 |
| 13 | B13B-ZR | S13B-ZR | B13B-ZR-3.4 | S13B-ZR-3.4 | 18.0 | 21.0 | 500 | 500 | 500 |

Material and Finish

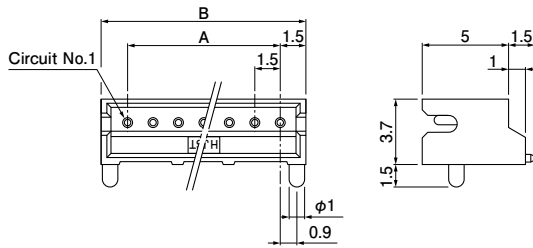
Pin: Brass, copper-undercoated, tin-plated (reflow treatment)
Wafer: Glass-filled PA 66, UL94V-0, natural (ivory)

RoHS2 compliance This product displays (LF)(SN) on a label.
Note: Headers with 3.4mm long solder tails, suited for the 1.6mm thick PC board.

ZH CONNECTOR

SMT type shrouded header

SM2 type Side entry type



SM2 type

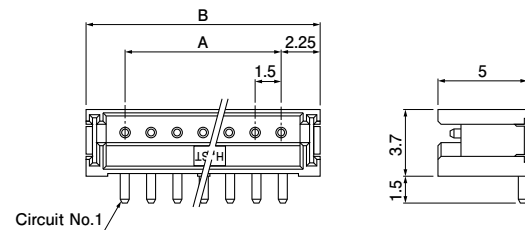
| No. of circuits | Model No. | Dimensions (mm) | | Q'ty/reel |
|-----------------|-----------------|-----------------|------|-----------|
| | Side entry type | A | B | |
| 2 | S2B-ZR-SM2-TF | 1.5 | 4.5 | 1,000 |
| 3 | S3B-ZR-SM2-TF | 3.0 | 6.0 | 1,000 |
| 4 | S4B-ZR-SM2-TF | 4.5 | 7.5 | 1,000 |
| 5 | S5B-ZR-SM2-TF | 6.0 | 9.0 | 1,000 |
| 6 | S6B-ZR-SM2-TF | 7.5 | 10.5 | 1,000 |
| 7 | S7B-ZR-SM2-TF | 9.0 | 12.0 | 1,000 |
| 8 | S8B-ZR-SM2-TF | 10.5 | 13.5 | 1,000 |
| 9 | S9B-ZR-SM2-TF | 12.0 | 15.0 | 1,000 |
| 10 | S10B-ZR-SM2-TF | 13.5 | 16.5 | 1,000 |
| 11 | S11B-ZR-SM2-TF | 15.0 | 18.0 | 1,000 |
| 12 | S12B-ZR-SM2-TF | 16.5 | 19.5 | 1,000 |
| 13 | S13B-ZR-SM2-TF | 18.0 | 21.0 | 1,000 |

Material and Finish

Pin: Brass, copper-undercoated, tin-plated (reflow treatment)
Wafer: Glass-filled PA 46, UL94V-0, natural (ivory)

RoHS2 compliance This product displays (LF)(SN) on a label.

SM4 type (with solder tabs) Top entry type



SM4 type

| No. of circuits | Model No. | | Dimensions (mm) | | Q'ty/reel | |
|-----------------|----------------|-----------------|-----------------|------|----------------|-----------------|
| | Top entry type | Side entry type | A | B | Top entry type | Side entry type |
| 2 | B2B-ZR-SM4-TF | S2B-ZR-SM4A-TF | 1.5 | 6.0 | 1,000 | 1,000 |
| 3 | B3B-ZR-SM4-TF | S3B-ZR-SM4A-TF | 3.0 | 7.5 | 1,000 | 1,000 |
| 4 | B4B-ZR-SM4-TF | S4B-ZR-SM4A-TF | 4.5 | 9.0 | 1,000 | 1,000 |
| 5 | B5B-ZR-SM4-TF | S5B-ZR-SM4A-TF | 6.0 | 10.5 | 1,000 | 1,000 |
| 6 | B6B-ZR-SM4-TF | S6B-ZR-SM4A-TF | 7.5 | 12.0 | 1,000 | 1,000 |
| 7 | B7B-ZR-SM4-TF | S7B-ZR-SM4A-TF | 9.0 | 13.5 | 1,000 | 1,000 |
| 8 | B8B-ZR-SM4-TF | S8B-ZR-SM4A-TF | 10.5 | 15.0 | 1,000 | 1,000 |
| 9 | B9B-ZR-SM4-TF | S9B-ZR-SM4A-TF | 12.0 | 16.5 | 1,000 | 1,000 |
| 10 | B10B-ZR-SM4-TF | S10B-ZR-SM4A-TF | 13.5 | 18.0 | 1,000 | 1,000 |
| 11 | B11B-ZR-SM4-TF | S11B-ZR-SM4A-TF | 15.0 | 19.5 | 1,000 | 1,000 |
| 12 | B12B-ZR-SM4-TF | S12B-ZR-SM4A-TF | 16.5 | 21.0 | 1,000 | 1,000 |
| 13 | B13B-ZR-SM4-TF | S13B-ZR-SM4A-TF | 18.0 | 22.5 | 1,000 | 1,000 |

Material and Finish

Pin: Brass, copper-undercoated, tin-plated (reflow treatment)
Wafer: PA 6T, UL94V-0, natural (ivory)
Solder tab: Brass, copper-undercoated, tin-plated (reflow treatment)

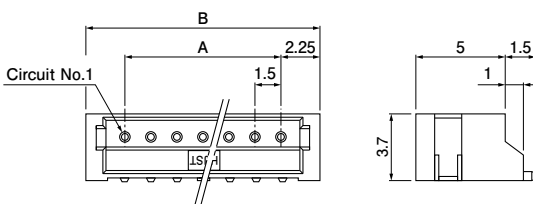
RoHS2 compliance This product displays (LF)(SN) on a label.

Note: 1. PA 9T is used for some colored products.

2. The products listed above are supplied on embossed-tape.

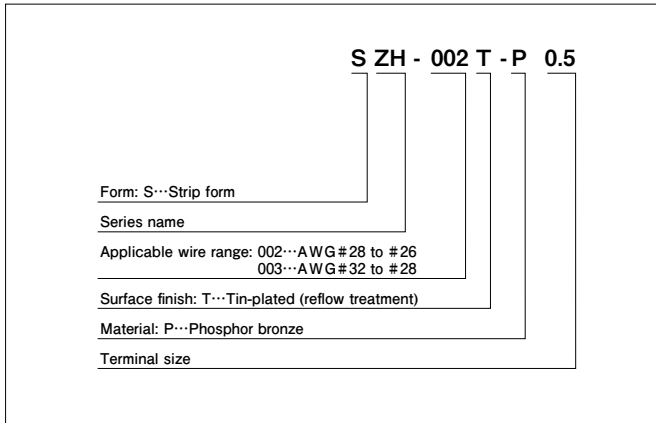
3. Contact JST for the top entry type headers with suction cap.

Side entry type

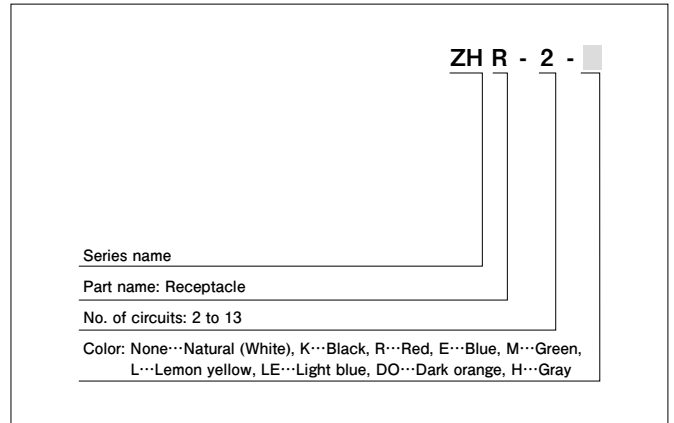


Model number allocation

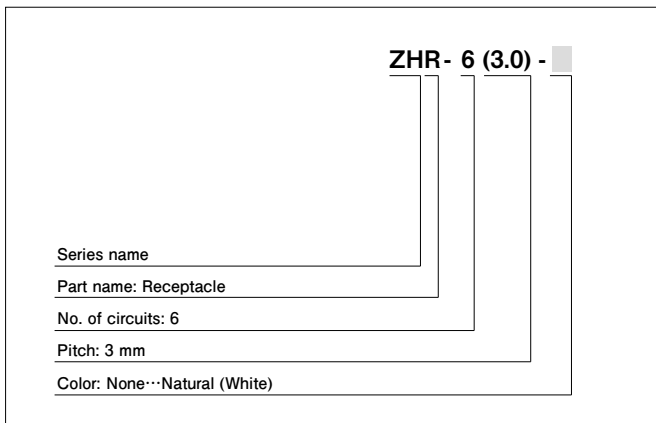
Contact



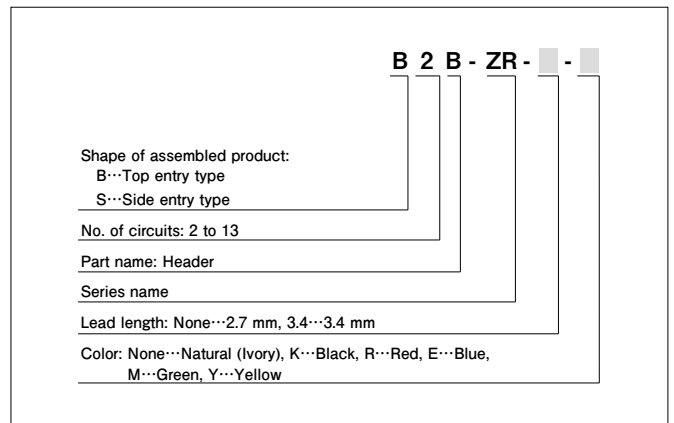
Housing



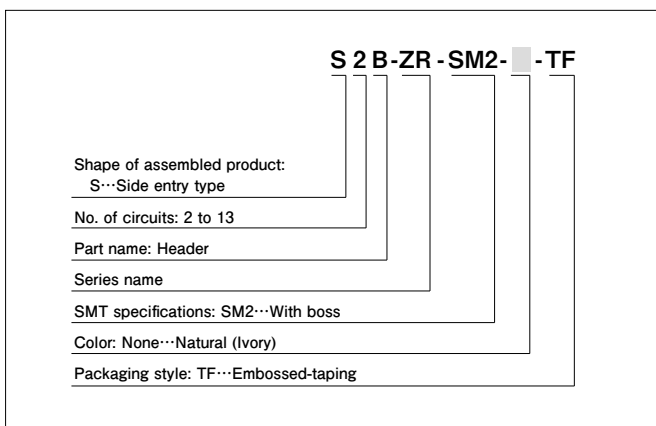
Housing with plugged up hole



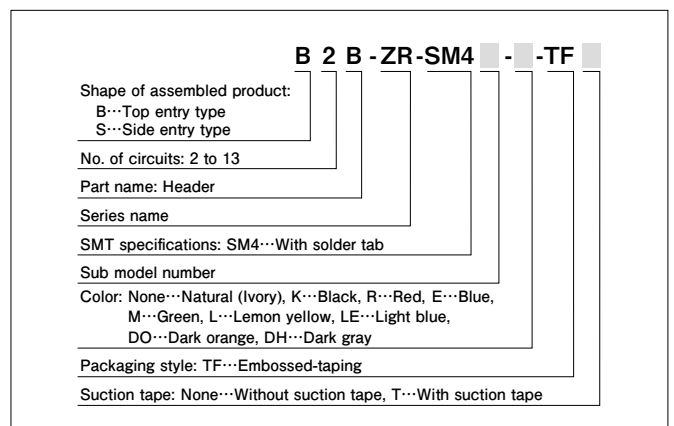
Header



SMT type Header



SMT type Header (With solder tab)



Note: Depending on the colors, it may take some time for delivery.