

IOA FEED-THRU/EX - Feed-through plug



2906598

<https://www.phoenixcontact.com/us/products/2906598>

Please be informed that the data shown in this PDF document is generated from our online catalog. Please find the complete data in the user documentation. Our general terms of use for downloads are valid.



Feed-through terminal block for VIP I/O-Marshalling base elements for conveying field signals to or from the I/O system.

Product description

Feed-through terminal block for conveying field signals to or from the I/O system. The module is installed on a corresponding VIP I/O-Marshalling base element by means of plug-in contact. Installation in zone 2, "ec" type of protection is permitted.

Your advantages

- Two-stage progressive release

Commercial data

Item number	2906598
Packing unit	1 pc
Minimum order quantity	1 pc
Note	Made to order (non-returnable)
Sales key	C480
Product key	CK8291
Catalog page	Page 554 (C-5-2017)
GTIN	4055626171784
Weight per piece (including packing)	53.82 g
Weight per piece (excluding packing)	53.2 g
Customs tariff number	85389099
Country of origin	US

IOA FEED-THRU/EX - Feed-through plug



2906598

<https://www.phoenixcontact.com/us/products/2906598>

Technical data

Product properties

Product type	Interface module
Product family	VIP I/O-Marshalling
Set comprises	1433798 IOA FEED-THRU/EX/BULK PACK
No. of channels	1
Operating mode	100% operating factor

Insulation characteristics

Overvoltage category	II
Pollution degree	2

Electrical properties

No. of channels	1
Max. operating voltage U_{max}	30 V
Max. permissible current	1 A
Nominal voltage U_N	24 V DC
Max. current carrying capacity per branch	1 A

Output data

Nominal supply voltage	24 V DC
Continuous load current	1 A

Connection data

Control circuits

Connection method	Pin strip
Number of connections	1
Number of positions	13

Ex data

Safety data

Input voltage U_i	30 V
Input current I_i	1 A
Inductance L_i	0 mH
Capacitance C_i	0 μ F
Max. output voltage U_o	U_i
Max. output current I_o	I_i
Max. output power P_o	P_i

Signaling

Status display	No
Status display present	No

IOA FEED-THRU/EX - Feed-through plug



2906598

<https://www.phoenixcontact.com/us/products/2906598>

Dimensions

Dimensional drawing	
Width	10.3 mm
Height	64.2 mm
Depth	72.9 mm

Material specifications

Flammability rating according to UL 94	V0
--	----

Environmental and real-life conditions

Ambient conditions

Degree of protection	IP20
Ambient temperature (operation)	-40 °C ... 75 °C
Ambient temperature (storage/transport)	-40 °C ... 75 °C
Altitude	< 2000 m
Permissible humidity (operation)	0 % ... 95 % (non-condensing)

Approvals

ATEX

Identification	⊕ II 3G Ex nA IIC T4 Gc
Certificate	CSANe 21ATEX4128X

IECEX

Identification	Ex nA IIC T4 Gc
Certificate	IECEX CSAE 21.0004X

UKEX

Identification	⊕ II 3G Ex nA IIC T4 Gc
Certificate	PxCIF23UKEX2906598X

UL, USA/Canada

Identification	Class I, Div. 2, Groups A, B, C, D T4
	Class I, Zone 2, IIC T4

CSA, USA/Canada

Identification	Class I, Div. 2, Groups A, B, C, D T4
	Class I, Zone 2, AEx nA IIC T4 Gc
	Ex nA IIC T4 Gc

Standards and regulations

IOA FEED-THRU/EX - Feed-through plug



2906598

<https://www.phoenixcontact.com/us/products/2906598>

Standards/regulations	IEC 60664
	DIN EN 50178

Mounting

Mounting position	any
-------------------	-----

IOA FEED-THRU/EX - Feed-through plug

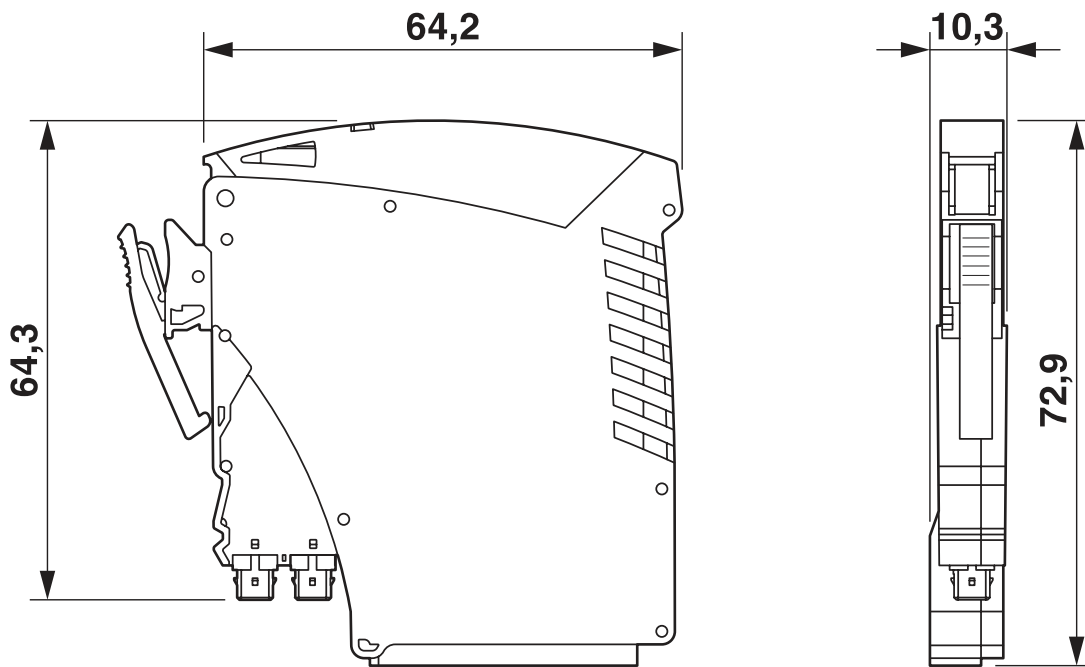
2906598

<https://www.phoenixcontact.com/us/products/2906598>

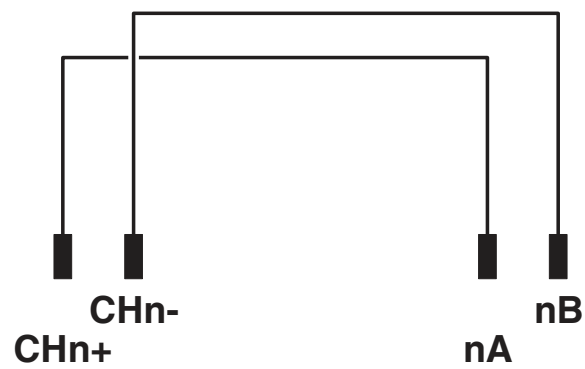


Drawings

Dimensional drawing



Circuit diagram



IOA FEED-THRU/EX - Feed-through plug



2906598

<https://www.phoenixcontact.com/us/products/2906598>

Approvals

To download certificates, visit the product detail page: <https://www.phoenixcontact.com/us/products/2906598>

Functional Safety

Approval ID: PHO 1609035 C001



IECEX

Approval ID: IECEX SIR 16.0088X



CSA

Approval ID: 2431647



cUL Listed

Approval ID: FILE E 196811



UL Listed

Approval ID: FILE E 196811



FM approved

Approval ID: FM 16USUS0155X



CSAus

Approval ID: 2431647



ATEX

Approval ID: Sira 16ATEX4260X

cULus Listed

cCSAus

IOA FEED-THRU/EX - Feed-through plug



2906598

<https://www.phoenixcontact.com/us/products/2906598>

Classifications

ECLASS

ECLASS-11.0	27141152
ECLASS-12.0	27141152
ECLASS-13.0	27141152

ETIM

ETIM 8.0	EC002780
----------	----------

UNSPSC

UNSPSC 21.0	39121400
-------------	----------

IOA FEED-THRU/EX - Feed-through plug



2906598

<https://www.phoenixcontact.com/us/products/2906598>

Environmental product compliance

China RoHS	Environmentally Friendly Use Period = 50 years For information on hazardous substances, refer to the manufacturer's declaration available under "Downloads"
------------	--

IOA FEED-THRU/EX - Feed-through plug

2906598

<https://www.phoenixcontact.com/us/products/2906598>

Mandatory accessories

VIP/S/MC/BASE 1-8/L/EX - Base module

2906596

<https://www.phoenixcontact.com/us/products/2906596>



8-channel VIP I/O marshalling base element for universal use. All connections as screw connection technology. With the COMBICON connector, compatible with the Honeywell C300 and RUSIO series. Marking for channels 1–8.

VIP/S/MC/BASE 9-16/L/EX - Base module

2906630

<https://www.phoenixcontact.com/us/products/2906630>



8-channel VIP I/O marshalling base element for universal use. All connections as screw connection technology. With the COMBICON connector, compatible with the Honeywell C300 and RUSIO series. Marking for channels 9–16.

IOA FEED-THRU/EX - Feed-through plug

2906598

<https://www.phoenixcontact.com/us/products/2906598>



VIP/S/MC/BASE 17-24/L/EX - Base module

2907024

<https://www.phoenixcontact.com/us/products/2907024>



8-channel VIP I/O marshalling base element for universal use. All connections as screw connection technology. With the COMBICON connector, compatible with the Honeywell C300 and RUSIO series. Marking for channels 17–24.

VIP/S/MC/BASE 25-32/L/EX - Base module

2907025

<https://www.phoenixcontact.com/us/products/2907025>



8-channel VIP I/O marshalling base element for universal use. All connections as screw connection technology. With the COMBICON connector, compatible with the Honeywell C300 and RUSIO series. Marking for channels 25–32.

IOA FEED-THRU/EX - Feed-through plug

2906598

<https://www.phoenixcontact.com/us/products/2906598>



VIP/S/MC/BASE 1-8/L/C/EX - Base module

2907186

<https://www.phoenixcontact.com/us/products/2907186>



8-channel VIP I/O marshalling base element for universal use. All connections as screw connection technology. With the COMBICON connector, compatible with the Honeywell C300 and RUSIO series. Marking for channels 1–8 and painting.

VIP/S/MC/BASE 9-16/L/C/EX - Base module

2907187

<https://www.phoenixcontact.com/us/products/2907187>



8-channel VIP I/O marshalling base element for universal use. All connections as screw connection technology. With the COMBICON connector, compatible with the Honeywell C300 and RUSIO series. Marking for channels 9–16 and painting.

IOA FEED-THRU/EX - Feed-through plug

2906598

<https://www.phoenixcontact.com/us/products/2906598>



VIP/S/MC/BASE 17-24/L/C/EX - Base module

2907209

<https://www.phoenixcontact.com/us/products/2907209>



8-channel VIP I/O marshalling base element for universal use. All connections as screw connection technology. With the COMBICON connector, compatible with the Honeywell C300 and RUSIO series. Marking for channels 17–24 and painting.

VIP/S/MC/BASE 25-32/L/C/EX - Base module

2907210

<https://www.phoenixcontact.com/us/products/2907210>



8-channel VIP I/O marshalling base element for universal use. All connections as screw connection technology. With the COMBICON connector, compatible with the Honeywell C300 and RUSIO series. Marking for channels 25–32 and painting.

IOA FEED-THRU/EX - Feed-through plug

2906598

<https://www.phoenixcontact.com/us/products/2906598>



VIP/S/D25M/BASE 1-8/L/C/EX - Base module

2906595

<https://www.phoenixcontact.com/us/products/2906595>



8-channel VIP I/O marshalling base element for universal use. All connections as screw connection technology. This module with the D-SUB 25 connector is pin compatible with the Foxboro I/A series DCS.

VIP/MSTB/D50M/BASE/16CH/CX/EX - Base module

2908788

<https://www.phoenixcontact.com/us/products/2908788>



16-channel VIP I/O marshalling base element for universal use. Plug-in field and supply terminals available as accessories. Either with screw or Push-in connection technology. Compatible with the Tricon CX DCS series (D-SUB 50).

Phoenix Contact 2023 © - all rights reserved
<https://www.phoenixcontact.com>

Phoenix Contact USA
586 Fulling Mill Road
Middletown, PA 17057, United States
(+717) 944-1300
info@phoenixcon.com