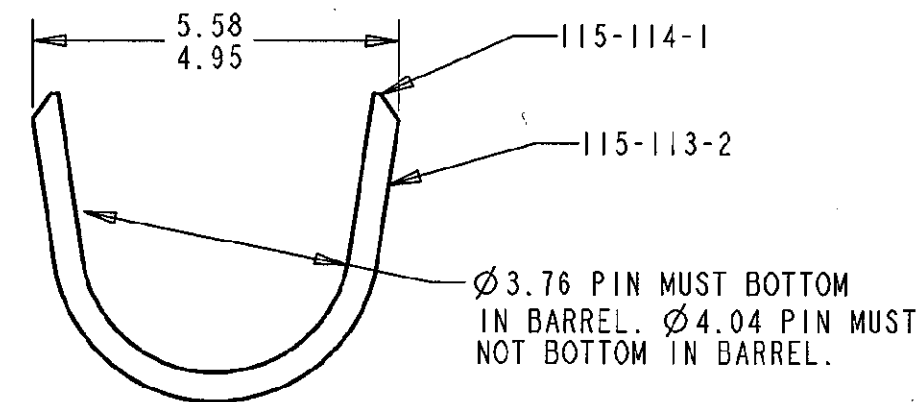
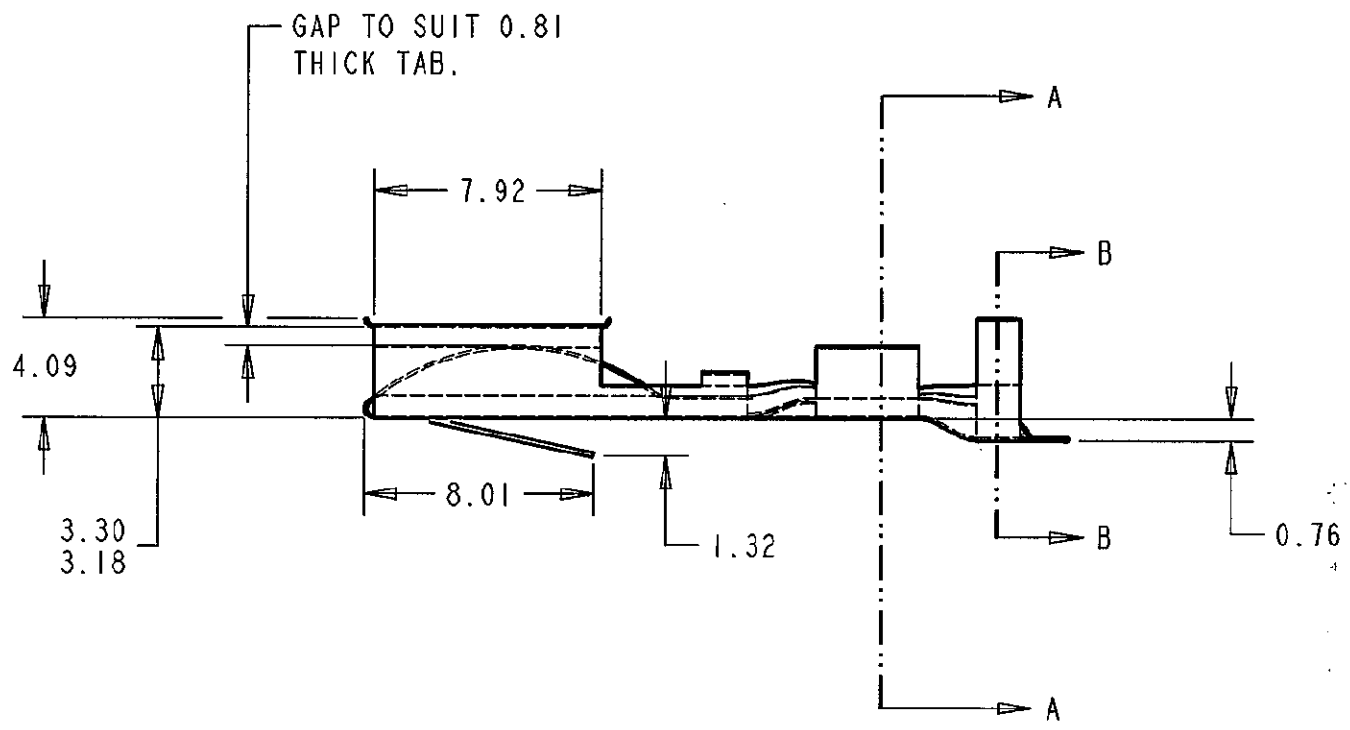
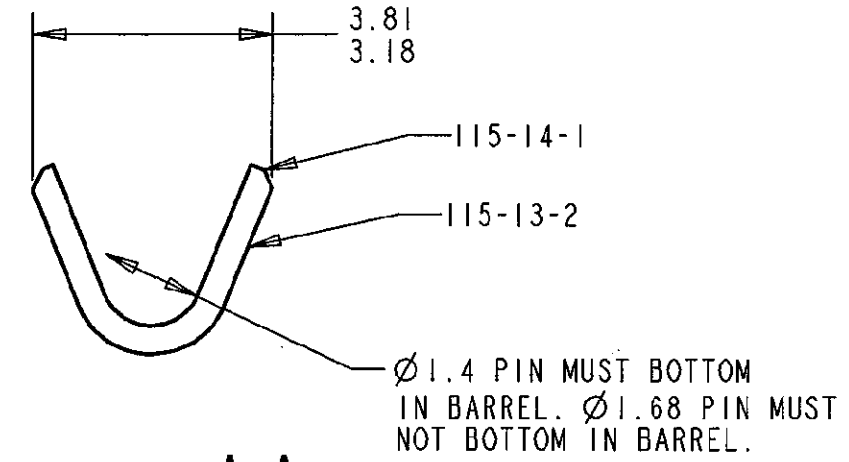
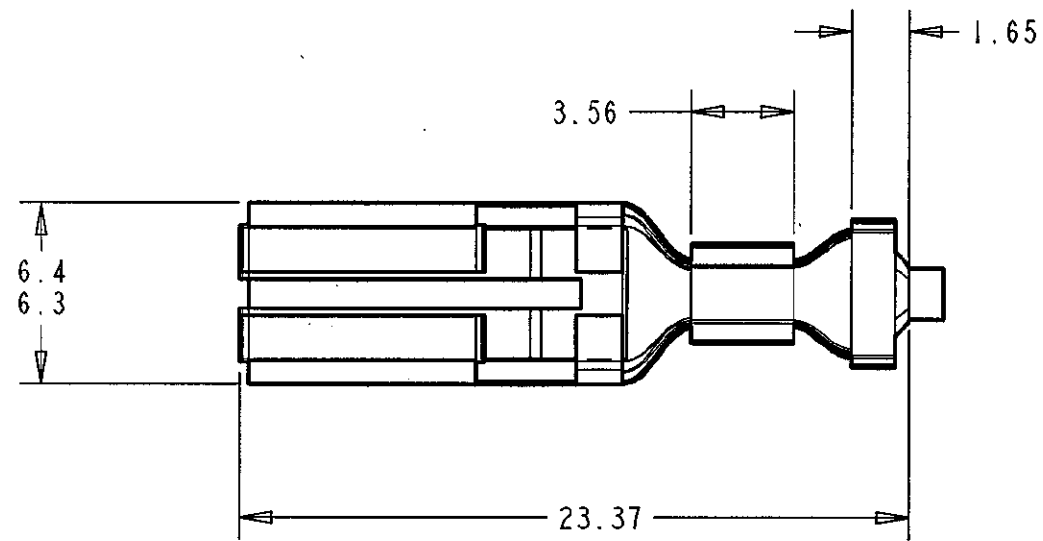


LOC		REVISIONS			
P	LTR	DESCRIPTION	DATE	DWN	APVD
D		EB00-0487-99	8-11-99	DRT	-
E		EB00-0150-00	15-03-00	DRT	



1. WIRE RANGE: -0.65-2.00 mm².
2. INSULATION RANGE: -2.4-3.5.
3. REEL QUANTITY 2.5M.

342873-4	PRE-TIN	PHOS. BRONZE	342413-4
342873-3	NONE	PHOS. BRONZE	342413-3
342873-2	PRE-TIN	BRASS	342413-2
342873-1	NONE	BRASS	342413-1
LOOSE PIECE	FINISH	MATERIAL	PART NUMBER

THIS DRAWING IS A CONTROLLED DOCUMENT FOR AMP INCORPORATED. IT IS SUBJECT TO CHANGE AND THE CONTROLLING ENGINEERING ORGANIZATION SHOULD BE CONTACTED FOR THE LATEST REVISION.

DWN: D.R. TERRY 17-Mar-00
 CHR: C. HALLETT 24-Mar-00
 APVD: C.K. 27-Mar-00

AMP AMP of Great Britain Ltd, Stanmore, Middlesex, HA7 4RS.

RECEPTACLE

THIRD ANGLE PROJECTION

TOLERANCES UNLESS OTHERWISE SPECIFIED:
 LINEAR: - ±0.5
 ANGULAR: - ±1°

MATERIAL: 0.4 THK STOCK SEE TABLE
 FINISH: SEE TABLE

PRODUCT SPEC: -
 APPLICATION SPEC: -
 WEIGHT: -

CUSTOMER DRAWING

SIZE: A3
 CAGE CODE: 00779
 DRAWING NO: ©-342413

SCALE: 4:1
 SHEET: 1 OF 1
 REV: E