

F  
 D  
 C  
 B  
 A

THIS INFORMATION IS CONFIDENTIAL AND PROPRIETARY TO CW INDUSTRIES INCORPORATED AND ITS AFFILIATES. IT MAY NOT BE DISCLOSED TO ANYONE OTHER THAN CW INDUSTRIES PERSONNEL, WITHOUT WRITTEN AUTHORIZATION FROM CW INDUSTRIES INCORPORATED, SOUTHAMPTON, PENNSYLVANIA USA.

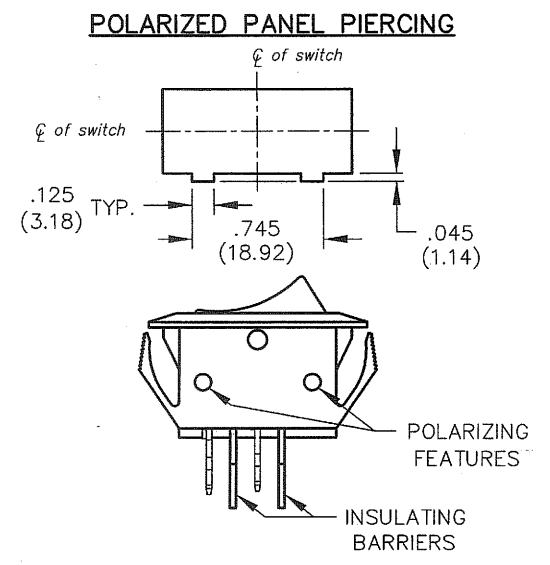
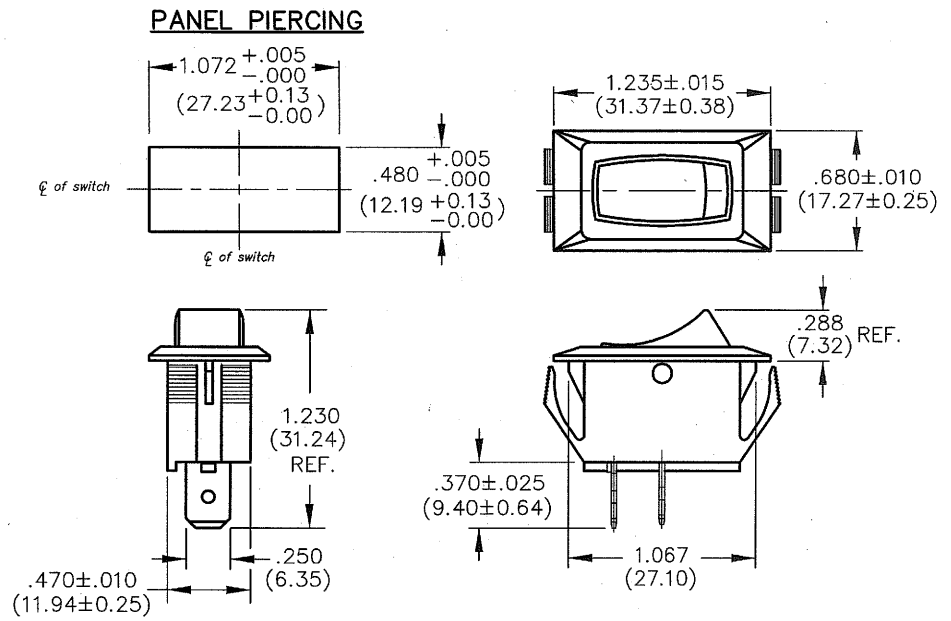
DIMENSIONS IN INCHES (MILLIMETERS)  
DO NOT SCALE DRAWING .....

Dwg. No.  
**GRS-2011-3XXX**

**PANEL THICKNESS**

.025" to .180"  
(0.64mm to 4.57mm)

OPTIONS:



TERMINAL OPTIONS:

.250" Wide Terminal is standard as Shown in drawing.  
.187" Wide Terminal is optional.

B-FORMAT 2002	0									
	REVISIONS									
	RELEASED: DGW 6-16-2010 JUN 23 2010									

PDF FILE MADE	<b>cw INDUSTRIES</b>		Southampton, Pa. 18966		Title: <b>ROCKER SWITCH</b>	
	TOLERANCES UNLESS OTHERWISE SPECIFIED				NARROW BODY ASSEMBLY	
	2 Place Decimal $\pm .010$	METRIC	S.P.S.T. WITH OPTIONS			
	3 Place Decimal $\pm .005$	1 Place Dec. $\pm .25$ mm	1.072" x .480" PANEL			
	Angles ..... $\pm 1^\circ$	2 Place Dec. $\pm .13$ mm	Division: <b>SWITCH</b>			
Made for: CW IND.	6-16-2010		Dwg. No. <b>GRS-2011-3XXX</b>			
Drawn by: DGW	6-28-10					
Checked by: G. Guld	6-28-10					
Approved: <i>Edward P. ...</i>	6-29-10					

**MASTER**