

NOTES:

1. ALL PARTS ARE BULK PACKED
2. CONTACT SHIPPED UNASSEMBLED
3. ALL DIMENSIONS ARE REFERENCE EXCEPT THOSE WITH A TOLERANCE

ASS'Y P/N	COUPLING RING COLOR
6380-XPG-5XXWCC1	WHITE
6380-XPG-5XXWCC2	RED
6380-XPG-5XXWCC3	BLUE
6380-XPG-5XXWCC4	LIGHT GREY
6380-XPG-5XXWCC5	YELLOW
6380-XPG-5XXWCC6	MAROON
6380-XPG-5XXWCC7	GREEN

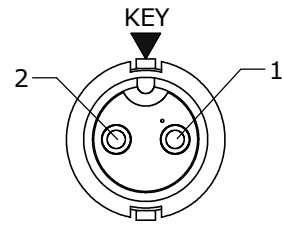
(B)

KIT P/N	GROMMET SIZE
6380-XPG-513W	.148 GROMMET I.D. FOR CABLE O.D. .13-.15 [3.3-3.8mm]
6380-XPG-516W	.176 GROMMET I.D. FOR CABLE O.D. .16-.18 [4.1-4.6mm]
6380-XPG-519W	.206 GROMMET I.D. FOR CABLE O.D. .19-.21 [4.8-5.3mm]
6380-XPG-522W	.245 GROMMET I.D. FOR CABLE O.D. .22-.25 [5.6-6.3mm]
6380-XPG-526W	.265 GROMMET I.D. FOR CABLE O.D. .25-.27 [6.3-6.8mm]
6380-XPG-528W	.280 GROMMET I.D. FOR CABLE O.D. .26-.285 [6.6-7.2mm]

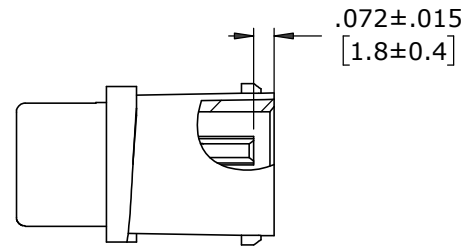
KIT P/N	NO. OF CONTACTS
6380-2PG-5XXW	2 #16
6380-3PG-5XXW	3 #16
6380-4PG-5XXW	4 #16
6380-XPG-5XXW	

GROMMET SIZE

NO. OF CONTACTS

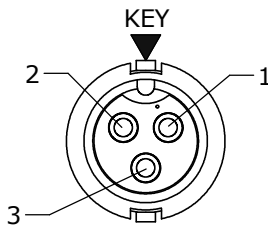


FACE VIEW
6380-2PG-5XXW

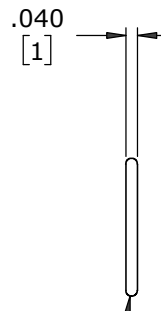


ASSEMBLY CONTACT REFERENCE
FOR CUSTOMER REFERENCE ONLY

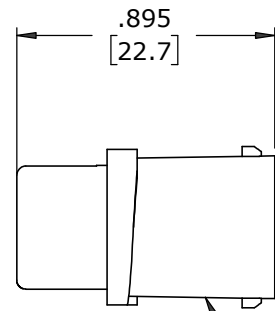
(2-4) #16 PIN CONTACTS, CRIMP
MAT'L: GOLD PLATED COPPER ALLOY



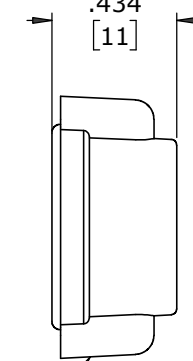
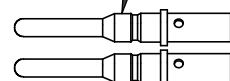
FACE VIEW
6380-3PG-5XXW



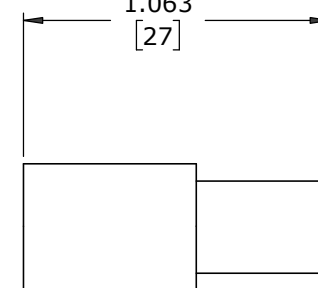
O-RING
MAT'L: RUBBER, BLACK



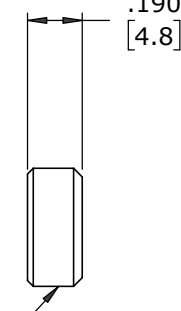
CABLE CONNECTOR, MALE
MAT'L: NYLON, BLACK



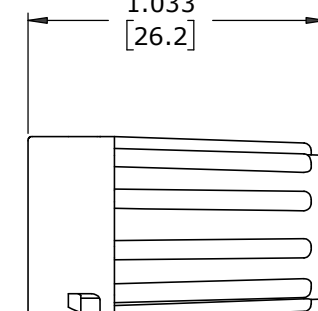
COUPLING RING
MAT'L: NYLON, BLACK
SEE CHART FOR OTHER
COLORED COUPLING RINGS



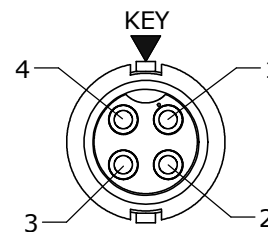
GROMMET
MAT'L: SANTOPRENE, BLACK



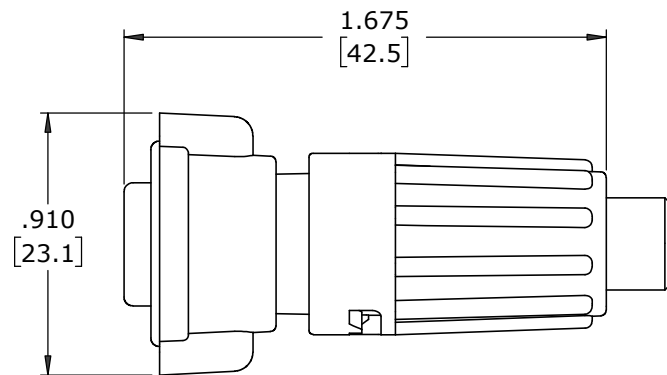
CABLE GRIP
MAT'L: POLYPROPYLENE, BLACK



BACKSHELL
MAT'L: NYLON, BLACK



FACE VIEW
6380-4PG-5XXW



ASSEMBLED VIEW
FOR CUSTOMER REF.

DIMENSIONS IN BRACKETS [] ARE IN MILLIMETERS

CUSTOMER APPROVAL

THIS DOCUMENT CONTAINS CONFIDENTIAL INFORMATION PROPRIETARY TO CONXALL CORPORATION. ANY REPRODUCTION, DISCLOSURE, OR USE OF THIS DOCUMENT /INFORMATION IS EXPRESSLY PROHIBITED UNLESS AUTHORIZED IN WRITING BY CONXALL CORPORATION.

APPROVED BY: _____
DATE: _____

B	MA	02-19-21	ADDED 6380-XPG-526W TO CHART. STANDARDIZED DRAWING PER ECR 9544
A	SS	05-13-19	DRAWING CREATED PER DOR 19-E149SL #6
REV.	INIT.	DATE	DESCRIPTION
	SS	05-13-19	ORIG. DRAWN BY: DATE: SS 05-13-19
ALL INFORMATION ILLUSTRATED IS THE PROPERTY OF "CONXALL CORPORATION". UNAUTHORIZED DUPLICATION OR DISTRIBUTION OF THIS DOCUMENT IS PROHIBITED.			<p>601 E. WILDWOOD VILLA PARK, IL 60181</p>
ALL UNITS ARE IN FEET, INCHES, FRACTIONS OF INCHES AND DECIMALS.			
APPROVED BY:		TITLE: CABLE CONNECTOR KIT (2-4) #16 PIN CONTACTS MINI-CON-X	
SCALE: NTS		CUSTOMER: STANDARD PRODUCT	
FILE: 6380-XPG-5XXW(CCX)	DIRECTORY: SLW	PART NUMBER: 6380-XPG-5XXW(CCX)	REV B

RoHS COMPLIANT

CRITICAL CHARACTERISTIC FLAG PER SPEC. XXXX